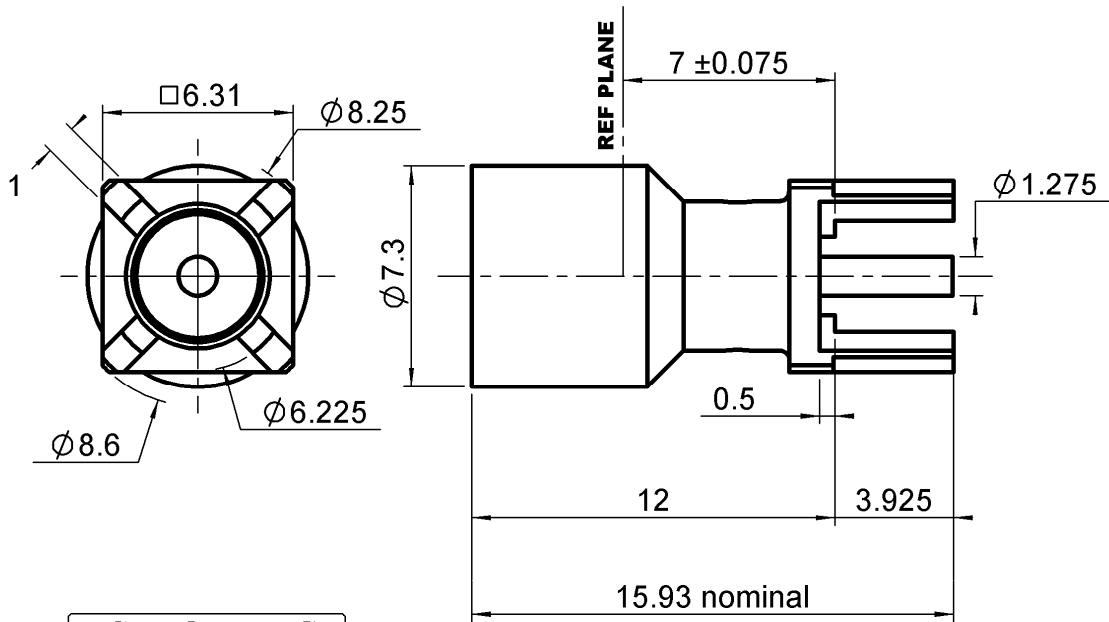


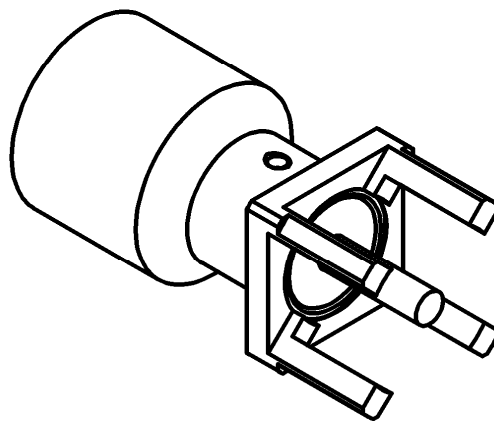
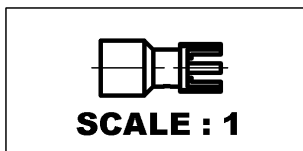
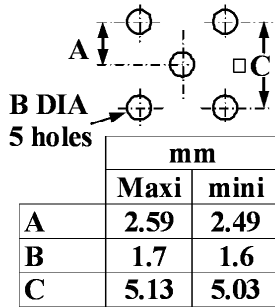
**FEMALE STRAIGHT RECEPTACLE FOR PCB**  
**SOLDER LEGS**

**R128.426.700**

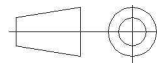
Series : BMA-COM



**PCB MOUNTING**



All dimensions are in mm.



COMPONENTS	MATERIALS	PLATING (µm)
BODY	BRASS	NICKEL-2 GOLD-0.2
CENTER CONTACT	BERYLLIUM COPPER	NPGR
OUTER CONTACT	BERYLLIUM COPPER	NPGR
INSULATOR	PTFE	
GASKET	-	
OTHERS PARTS	-	
-	-	
-	-	

Issue : 0941 B

In the effort to improve our products, we reserve the right to make changes judged to be necessary.



**FEMALE STRAIGHT RECEPTACLE FOR PCB**

**R128.426.700**

**SOLDER LEGS**

Series : **BMA-COM**

**PACKAGING**

**SPECIFICATION**

Standard	Unit	Other
<b>100</b>	<b>'W' option</b>	<b>Contact us</b>

**ELECTRICAL CHARACTERISTICS**

**ENVIRONMENTAL**

Impedance	<b>50</b>	$\Omega$
Frequency	<b>0-22</b>	GHz
VSWR	<b>1.25*</b> + <b>0,0000</b>	x F(GHz) Maxi
Insertion loss	<b>0.07*</b>	$\sqrt{F}$ (GHz) dB Maxi
RF leakage	- ( <b>90*</b>	- F(GHz)) dB Maxi
Voltage rating	<b>350</b>	Veff Maxi
Dielectric withstanding voltage	<b>1000</b>	Veff mini
Insulation resistance	<b>5000</b>	M $\Omega$ mini

Operating temperature	<b>-65/+165</b>	$^{\circ}$ C
Hermetic seal	<b>NA</b>	Atm.cm3/s
Panel leakage	<b>NA</b>	

**OTHER CHARACTERISTICS**

Assembly instruction

Others :

\*R.O.S 1.25 Maxi à 10 GHz  
Coaxial transmission line only

**MECHANICAL CHARACTERISTICS**

Center contact retention		
Axial force – Mating end	<b>18</b>	N mini
Axial force – Opposite end	<b>18</b>	N mini
Torque	<b>NA</b>	N.cm mini
Recommended torque		
Mating	<b>NA</b>	N.cm
Panel nut	<b>NA</b>	N.cm
Mating life	<b>1000</b>	Cycles mini
Weight	<b>1,8100</b>	g

Issue : 0941 B

In the effort to improve our products, we reserve the right to make changes judged to be necessary.

**RADIALL** 