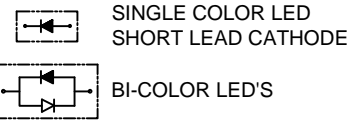
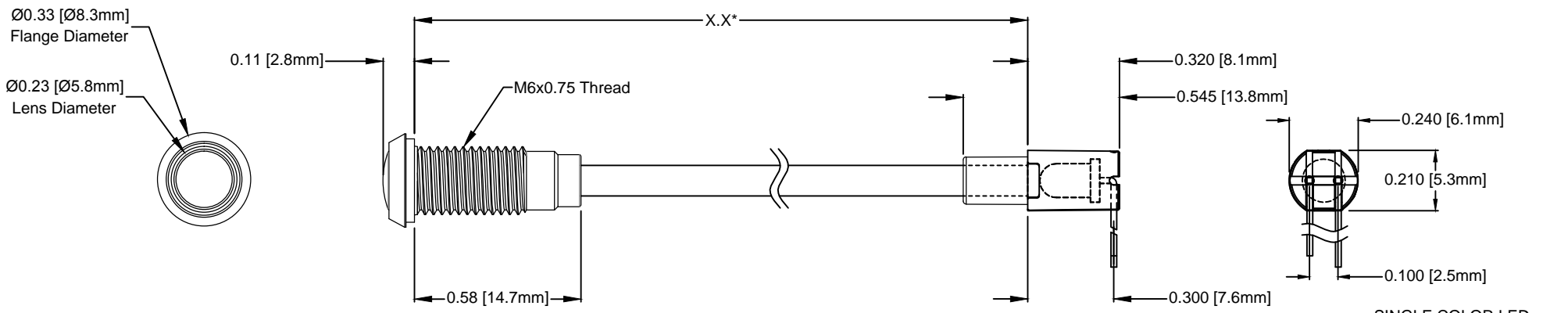


REV.	DESCRIPTION	DATE	APPROVED
A	Engineering Release	05/12/17	J. C.
B	Updated LED Tables	08/14/18	M. C.

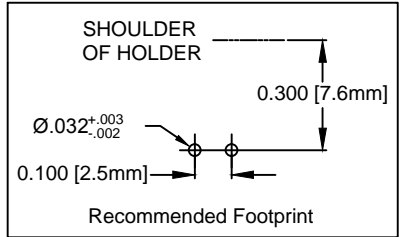
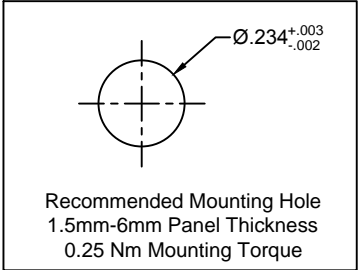
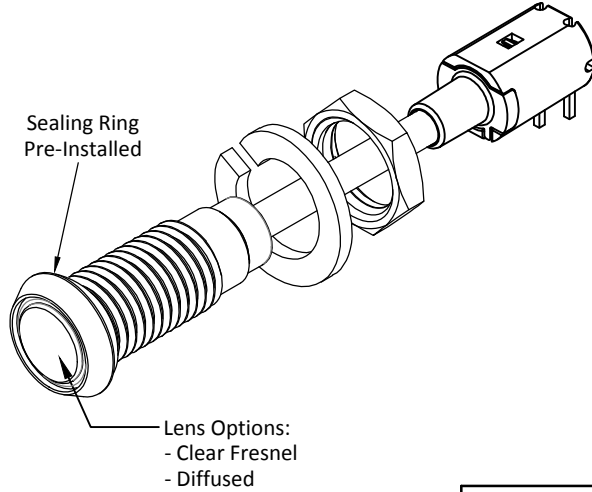
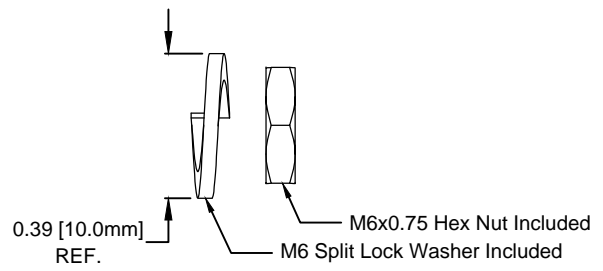
*Length "X.X"	Tolerance
2.0" ~ 16.0"	±0.05"
16.1" ~ 40.0"	±0.15"
40.1" ~ 80.0"	±0.30"
80.1" ~ 500.0"	±0.5%



SHORT LEAD CATHODE	LED PART NO.	LONG LEAD CATHODE
RED	3SBCC-F	GREEN

Part Number Configuration
FR3-6.5-UR-F6PX67PR

- Length in 0.1" Increments Only
- LED Color, See Page 2
- D - Diffused
- Z - Clear Fresnel
- Lens Options:



- NOTES:**
1. SEALED TO IP67 RATING
 2. ROHS COMPLIANT
 3. MOUNTING HARDWARE AND ADAPTER SHIPPED NON-ASSEMBLED
 4. MINIMUM BEND RADIUS OF FLEXIBLE LIGHT PIPE: 1.06" [27mm]

STANDARD TOLERANCE (UNLESS OTHERWISE SPECIFIED)		BIVAR®	
DECIMALS	ANGULAR	4 THOMAS, IRVINE, CA. 92618	
.X ± .1	X° ± 1°	TEL: (949) 951-8808 FAX: (949) 951-3974	
.XX ± .02		TITLE: IP67 RATED PANEL MOUNT FLP INDICATOR, RIGHT ANGLE	
.XXX ± .010		PART NO: FR3-X.X-XXX-F6PX67PR	
DESIGNED: TD. NGUYEN	DATE: 04/30/17	CAGE CODE: 32559	REVISION: B
REVISOR: D. GILBREATH	DATE: 08/14/18	SCALE: NONE	SHEET # 1 OF 2
CHECKED: TD. NGUYEN	DATE: 08/14/18	CAD GENERATED DOCUMENT, DO NOT MEASURE DRAWING	

FLEXIBLE LP ASSY Part No.	LED Part No.	Peak Wavelength	Emitted Color	Optical Data @ 20mA		
				Vf (V)		LED Iv (mcd)
		λ_p (nm)		TYP	MAX	TYP
SINGLE COLOR LED ASSEMBLIES (20mA)						
FR3-X.X-UB-F6PX67PR	3UBWC-0.6K-F	470	BLUE	4.0	4.5	400
FR3-X.X-UG-F6PX67PR	3UGC-F	570	GREEN	2.1	2.4	200
FR3-X.X-UY-F6PX67PR	3UYC-F	590	YELLOW	2.0	2.4	300
FR3-X.X-UR-F6PX67PR	3URC-F	645	RED	1.7	2.4	200
BI-COLOR LED ASSEMBLIES (20mA)						
FR3-X.X-SRG-F6PX67PR	3SBCC-F	645	RED	1.7	2.4	100
		568	GREEN	2.1	2.8	60

VISIT WWW.BIVAR.COM FOR CURRENT LED DATASHEETS
LED DETAILS ON DATASHEETS TAKE PRECEDENCE OVER DETAILS SHOWN HERE

ABSOLUTE MAXIMUM RATINGS (Ta=25°C)

REVERSE VOLTAGE _____ 5V
 REVERSE CURRENT _____ 100µA
 OPERATING TEMPERATURE RANGE _____ -25°C ~ +85°C
 STORAGE TEMPERATURE _____ -30°C ~ +100°C
 LEAD SOLDERING TEMPERATURE(1/16" FROM BODY) _____ 260°C FOR 5 SECONDS