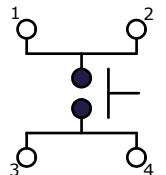


P.C.B LAYOUT

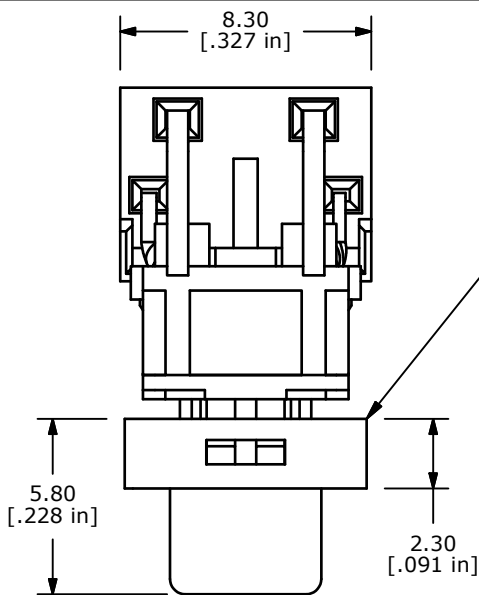


▲CIRCUIT: SPST

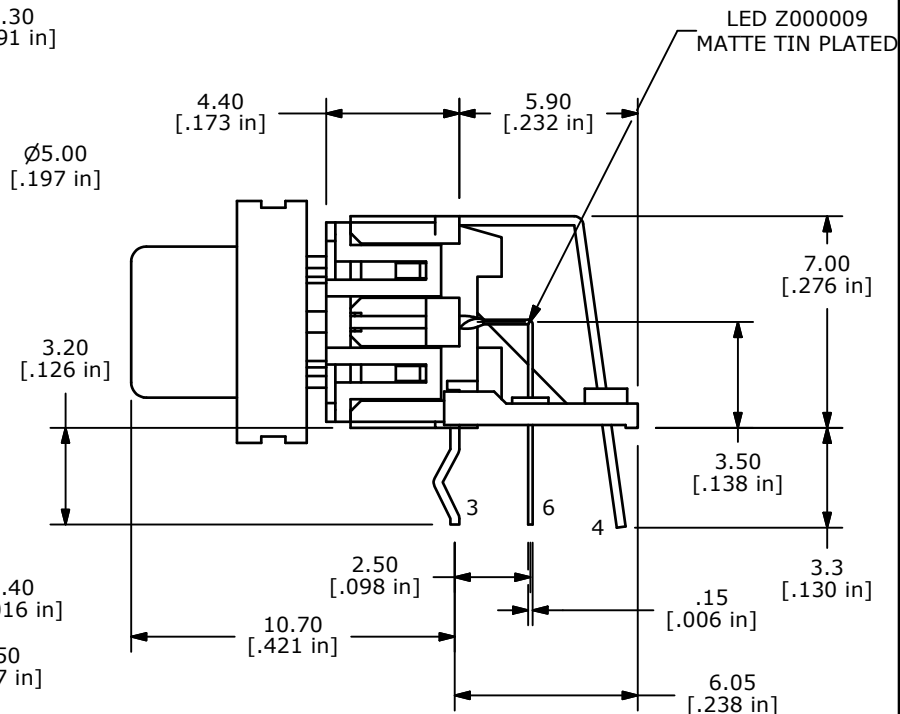
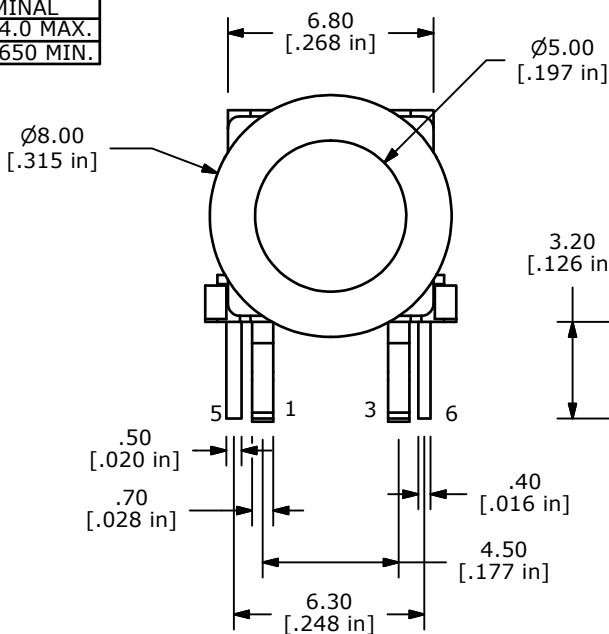
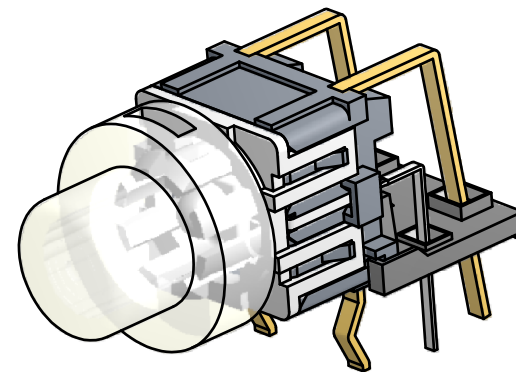
LED SPECS	UNITS	BLUE
FORWARD CURRENT	mA	20 NOMINAL
FORWARD VOLTAGE @20mA	V	3.3 TYP. 4.0 MAX.
LUMINOUS INTENSITY @ 20mA	mcd	1500 TYP. 650 MIN.

NOTES:

1. ALL DIMENSIONS IN MM [INCH]
2. GENERAL TOLERANCE: X.X=±0.4  
X.XX=±0.25
3. RATING: 50mA @ 12VDC
4. CONTACT RESISTANCE: 100mΩ MAX.
5. INSULATION RESISTANCE: 100MΩ MIN.
6. OPERATING FORCE: 120 ± 60gf
7. TRAVEL: 0.2 ± 0.1mm
8. OPERATING TEMPERATURE: -20°C TO 70°C
9. OPERATING LIFE: 50,000 CYCLES
- ▲10. LED: BLUE
- ▲11. CONTACTS: SILVER.
12. ▲ DENOTES CRITICAL PARAMETERS
13. 2002/95/EC (ROHS) COMPLIANT
14. PARTS TO BE PACKAGED IN TUBES, 60 PIECES PER TUBE.



▲ CAP MATERIAL TO BE CLEAR POLYCARBONATE



REV	PCR NO	DESCRIPTION	DATE	BY
B	20504	Revise Led Spec/Add Note For Tin Plating	3/2/2012	MM
A	20424	Release For Production	1/25/12	BGL

TITLE TL1250F120BQRCLR				
SCALE 2 : 1	DATE 1/25/2012	DR BGL	DWG P010825	REV B