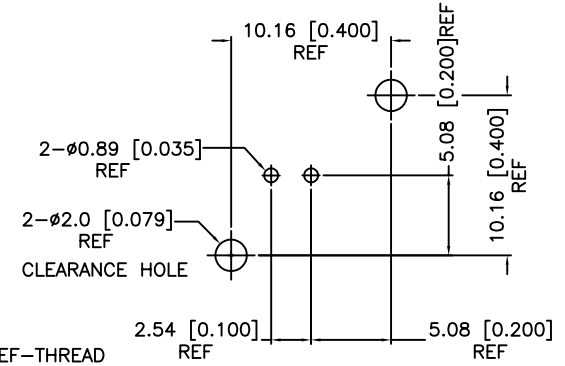
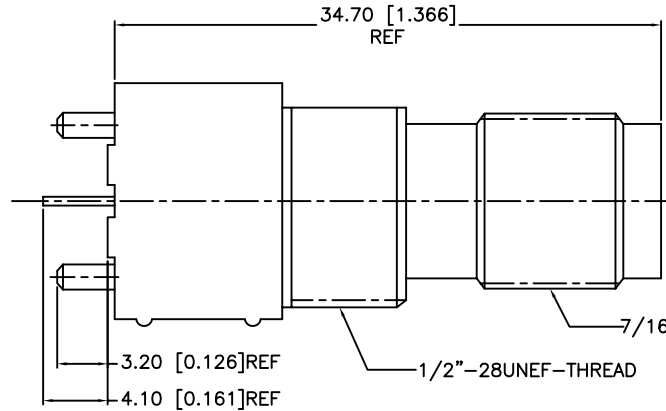
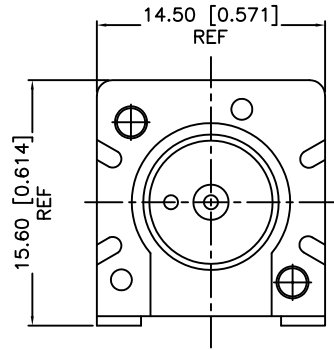


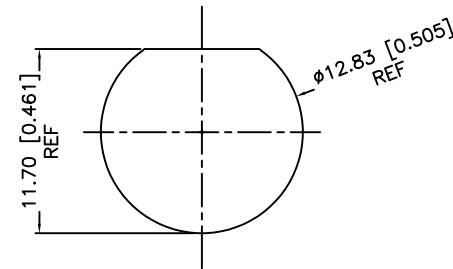
REV.	DATE	DESCRIPTION
A	03-Mar-10	RELEASE TO MFG.



RECOMMENDED P.C.B LAYOUT

SPECIFICATIONS:
 MECHANICAL CHARACTERISTICS:
 MATING/UNMATING - 500 CYCLES

ELECTRICAL CHARACTERISTICS:
 NORMAL IMPEDANCE - 50 OHMS
 FREQUENCY RANGE - 0-1 GHZ
 OPERATING VOLTAGE - 500 VOLTS RMS
 INSULATION RESISTANCE - 5000 MEGOHMS MIN.



PANEL CUTOUT

RoHS COMPLIANCE

				UNLESS OTHERWISE SPECIFIED DIMENSIONS ARE IN MILLIMETERS. DIMENSIONS IN [] ARE IN INCHES AND FOR CUSTOMER REFERENCE ONLY.	APPROVALS	DATE	AMPHENOL CONNEX							
6	GROUNDING TERMINAL	STRIP COPPER	TIN	1	UNLESS OTHERWISE SPECIFIED TOLERANCES FOR MILLIMETERS ARE: 0.5 - 8mm ± 0.20mm 8 - 30mm ± 0.40mm 30 - 120mm ± 0.50mm UNLESS OTHERWISE SPECIFIED TOLERANCES FOR INCHES ARE: .020 - .315 = ± 0.007" .315 - 1.180 = ± 0.015" 1.180 - 4.724 = ± 0.020"	DRAWN	CLEMENT	03-Mar-10	PART DESCRIPTION TNC VERTICAL PCB MOUNT RECEPTACLE IMPEDANCE 50 OHM					
5	MOUNTING HOOK	BRASS	TIN	1		CHECKED			PART NO. 122956					
4	HOUSING	PBT+30%G.F (UL 94 V-0)	WHITE	1		ISSUED			DWG. NO. 122956.DWG					
3	INSULATOR	POLYPROPYLENE UL 94HB	NATURAL	1		SHEET	1 OF 1		REV.	A	SIZE	A	SCALE	NA
2	CENTER CONTACT	PHOSPHOROUS BRONZE	GOLD	1										
1	CONN.BODY	ZINC ALLOY	NICKEL	1										
NO	DESCRIPTION	MATERIAL	FINISH	QTY	DO NOT SCALE DRAWING	CAD FILE	C:\122\122956.DWG							