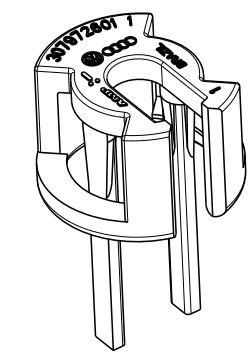
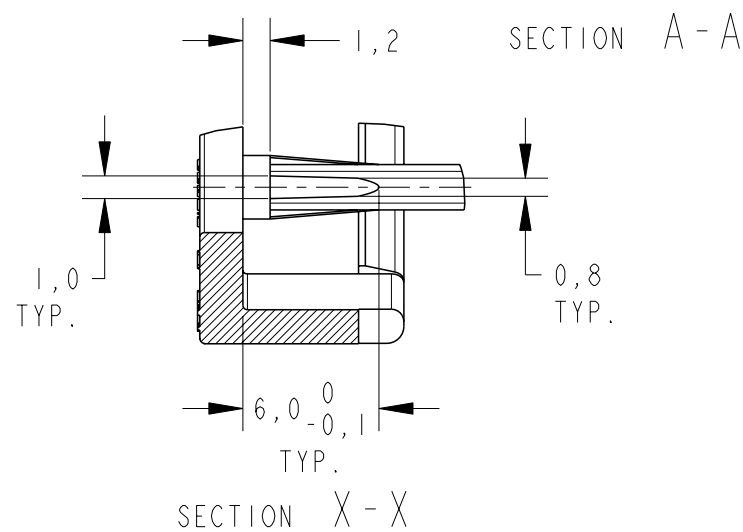
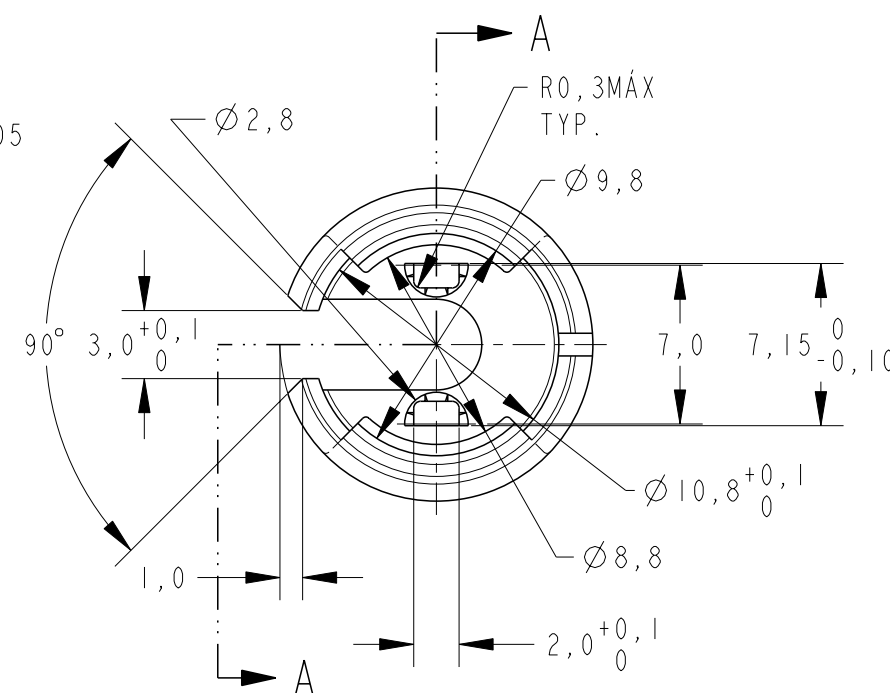
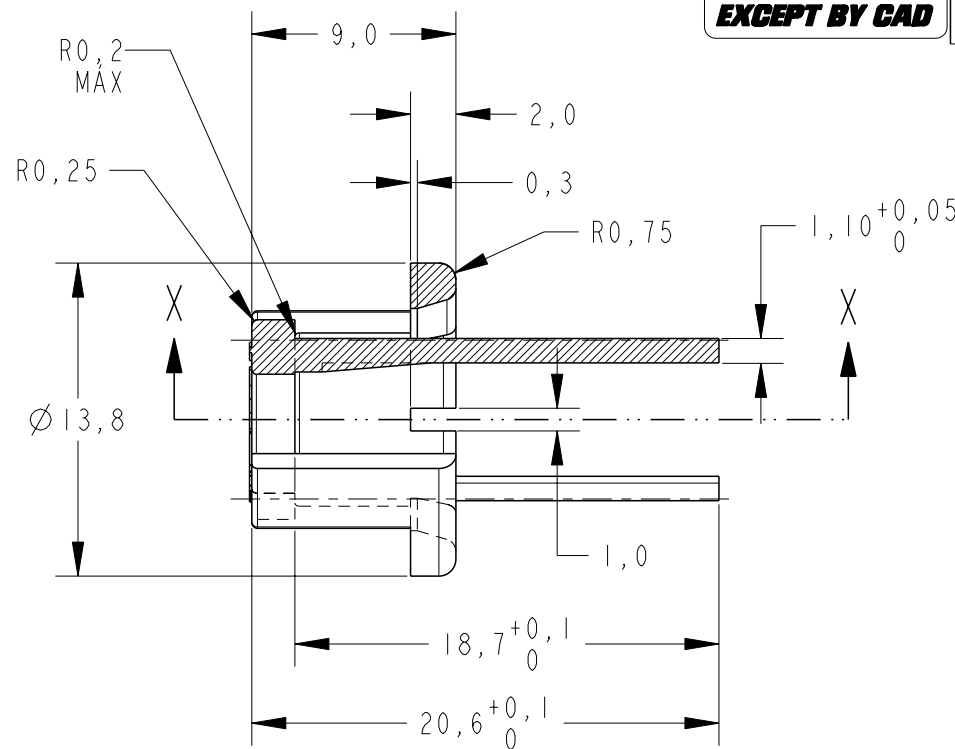
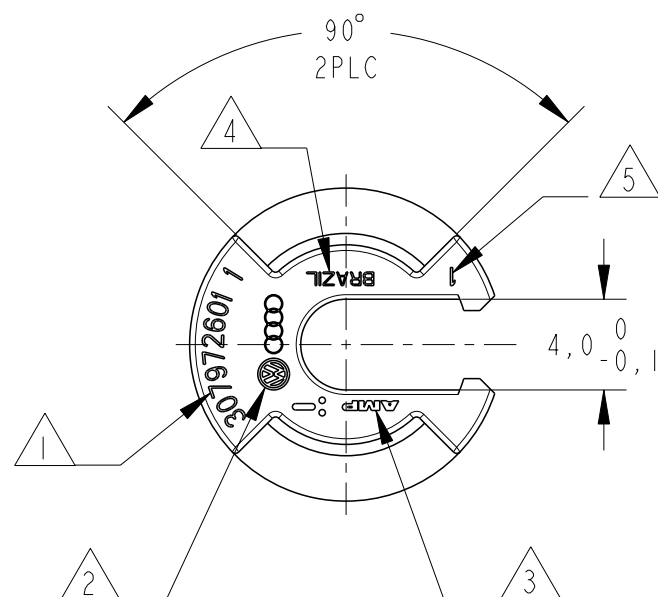


LOC AP

DIST -

REVISIONS

P	LTR	DESCRIPTION	DATE	DWN	APVD
	CI	REDRAW BY CAD ECO-12-001612	03FEB2012	NCL	DAO



PERSPECTIVE VIEW SCALE 2:1

GRAVAÇÕES MARKINGS	
LOGOTIPO AMP AMP LOGO	3
NÚMERO CAVIDADE CAVITY NUMBER	5
LOGOTIPO CLIENTE CUSTOMER LOGO	2
NÚMERO PEÇA CLIENTE CUSTOMER PART NUMBER	1
PAÍS PRODUTOR MANUFACTURER COUNTRY	4

307 972 601 1	VIOLETA/VIOLET	PA 6.6 + 25% FV	881308 -1
PART NUMBER VW	FINISH	MATERIAL	PART NUMBER
THIS DRAWING IS A CONTROLLED DOCUMENT.		TE Connectivity	
DIMENSIONS: mm 		NAME: SECONDARY LOCKING COVER FOR 1 POSN., UNSEALING	
TOLERANCES UNLESS OTHERWISE SPECIFIED: 0 PLC ±- 1 PLC ±0,1 2 PLC ±- 3 PLC ±- 4 PLC ±- ANGLES ±1° FINISH		PRODUCT SPEC: - APPLICATION SPEC: - WEIGHT: -	
MATERIAL: SEE TABLE	FINISH: SEE TABLE	SIZE: A3	RESTRICTED TO: -
CUSTOMER DRAWING		CAGE CODE: 00779	DRAWING NO: 881308
		SCALE: 3:1	SHEET 1 OF 1
		REV: CI	