

注記 NOTES:

1. 使用材料 MATERIAL

ハウジング: 液晶ポリマー(LCP),  
 ガラス充填, UL 94V-0, 色: 黒  
 HOUSING: LIQUID CRYSTAL POLYMER,  
 GLASS FILLED, UL 94V-0, COLOR: BLACK  
 ターミナル: リン青銅 (t=0.15)  
 TERMINAL: PHOSPHOR BRONZE (t=0.15)

2. メッキ仕様 PLATING

金メッキ 0.25 マイクロメートル以上 (コンタクト部)  
 GOLD(Au) 0.25 MICROMETER MINIMUM (CONTACT AREA)

金メッキ (テール部)  
 GOLD PLATING (SOLDER TAIL AREA)

下地メッキ: ニッケルメッキ 1.5 マイクロメートル以上  
 UNDER PLATING: NICKEL 1.5 MICROMETER MINIMUM

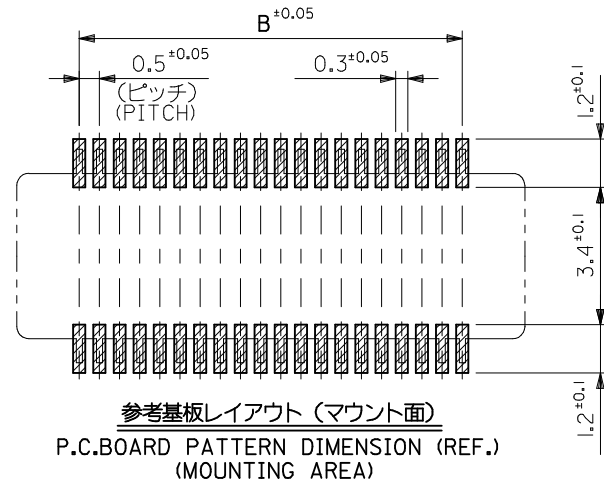
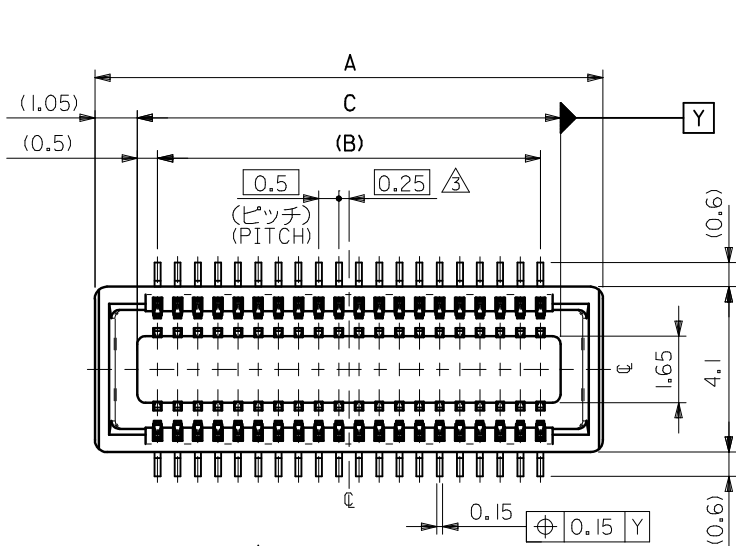
\*コンタクト部とテール部はニッケルメッキによって  
 分断されている金メッキです。  
 DIVIDE INTO PARTS THE GOLD PLATING OF  
 THE CONTACT PART AND THE TAIL PART BY  
 THE NICKEL PLATING.

△ (全極数/2) = 偶数の場合に適用。  
 APPLY FOR (CIRCUIT/2)=EVEN.

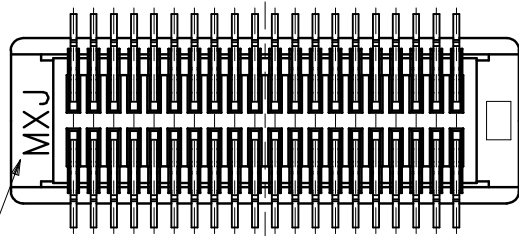
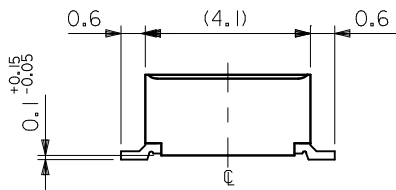
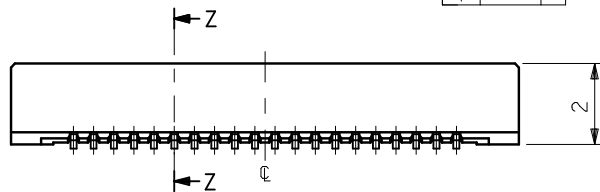
4 嵌合相手: 53885 / 500334 シリーズ  
 MATE WITH: 53885 / 500334 SERIES.

5 テール平坦度は、0.1MAX.  
 TAIL COPLANARITY TO BE 0.1 MAXIMUM.

6 ELV及びRoHS適合品。  
 ELV AND RoHS COMPLIANT.

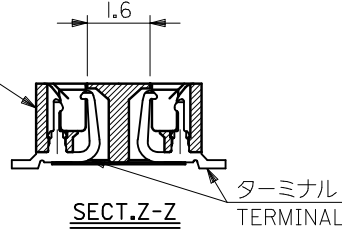


参考基板レイアウト (マウント面)  
 P.C.BOARD PATTERN DIMENSION (REF.)  
 (MOUNTING AREA)



トレードマーク  
 TRADE MARK

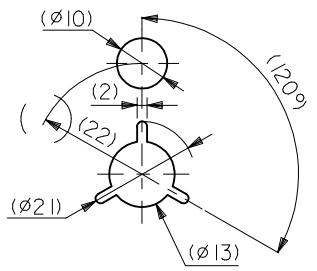
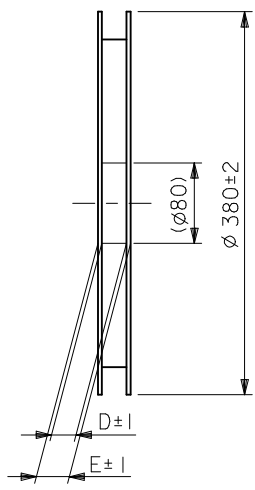
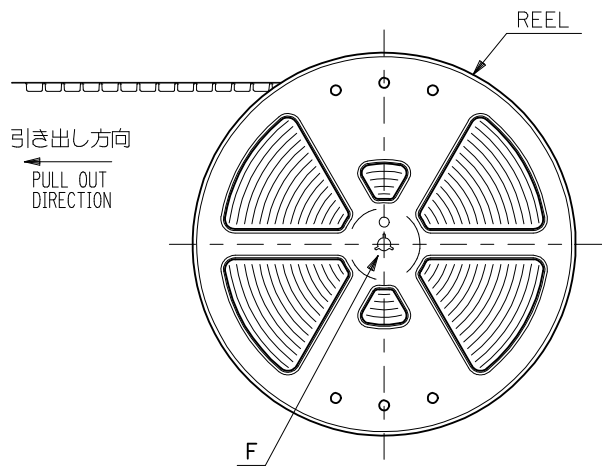
ハウジング  
 HOUSING



SECT. Z-Z  
 ターミナル  
 TERMINAL

20.5	19.5	22.6	54102-0804	80
18.0	17.0	20.1	-0704	70
15.5	14.5	17.6	-0604	60
13.0	12.0	15.1	-0504	50
10.5	9.5	12.6	-0404	40
8.0	7.0	10.1	-0304	30
5.5	4.5	7.6	-0204	20
4.5	3.5	6.6	54102-0164	16
C	B	A	EMBOSSED PACKAGE オーダー番号 ORDER No.	極数 CIRCUIT
CONNECTOR SERIES No. 54102-***3				

REVISED EC NO: J2013-1267 DRWN: TARA 01 CHKD: TASAKAWA APPR: MSASAO 2013/05/07 2013/05/08 2013/05/10	GENERAL TOLERANCES (UNLESS SPECIFIED)		DIMENSION STYLE MM ONLY		SCALE ---	DESIGN UNITS METRIC	THIRD ANGLE PROJECTION
	10 UNDER	±0.2	DRAWN BY Y. SAKIYA	DATE 2004/05/06	TITLE 0.5 B-TO-B CONN REC HSG ASSY (HGT=2.5) [NI BARRIER]		
	10 OVER 30 UNDER	±0.25	CHECKED BY M. SASAO	DATE 2004/05/06	<b>molex</b> DOCUMENT NO. SD-54102-006 SHEET NO. 1 OF 1		
	30 OVER	±0.3	APPROVED BY M. SASAO	DATE 2004/05/06			
ANGULAR ±3 °	DRAFT WHERE APPLICABLE MUST REMAIN WITHIN DIMENSIONS	MATERIAL NO. SEE CHART	THIS DRAWING CONTAINS INFORMATION THAT IS PROPRIETARY TO MOLEX INCORPORATED AND SHOULD NOT BE USED WITHOUT WRITTEN PERMISSION				

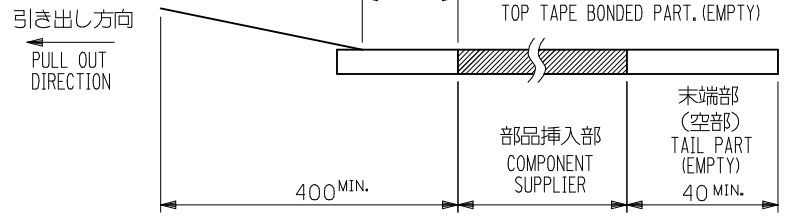


DETAIL F

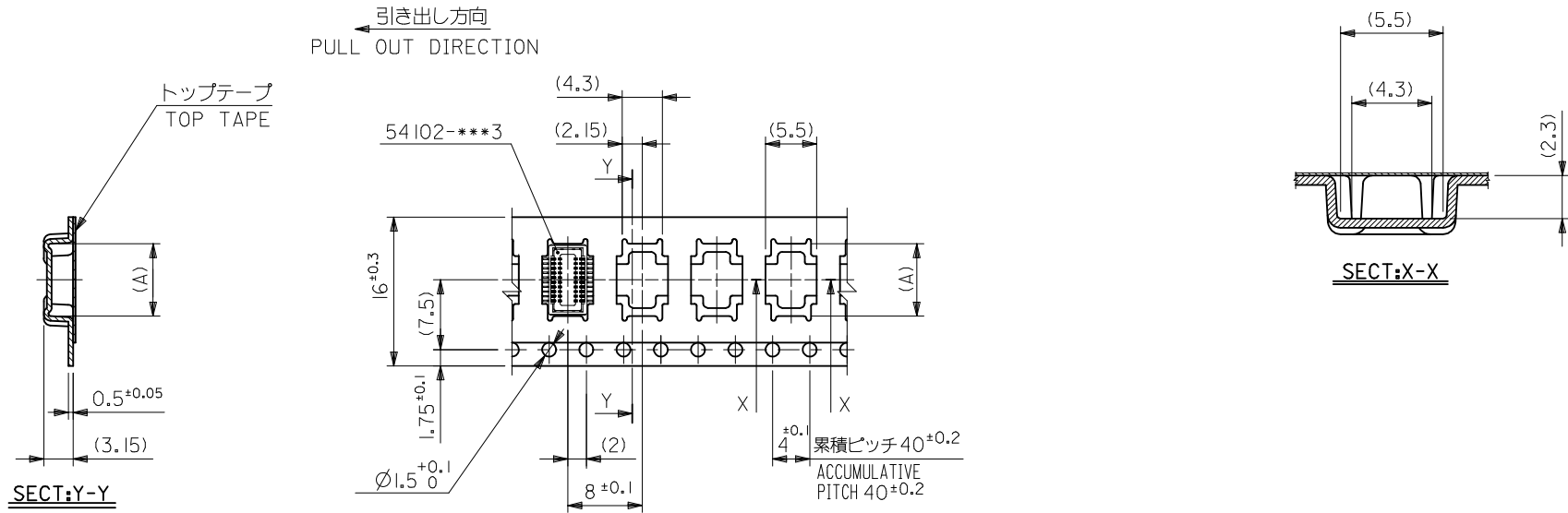
NOTES

- 製品詳細寸法については図面 SD-54102-006 を参照下さい。  
RE DETAILED DIMENSION, SEE SD-54102-006 .
- 梱包数量：3000個/リール  
NUMBER OF CONNECTORS : 3000PCS/REEL
- リードテープ長さ LEAD TAPE LENGTH  
20PCS. MIN. トップテープ接着部 (空エンボス)  
TOP TAPE BONDED PART. (EMPTY)  
引き出し方向 PULL OUT DIRECTION  
400 MIN.  
部品挿入部 COMPONENT SUPPLIER  
末端部 (空部) TAIL PART (EMPTY)  
40 MIN.
- カバーテープの剥離強度については、IEC60286-3に準拠  
COVER TAPE PEEL FORCE IS DEFINED BY IEC60286-3.
- 材料 (MATERIAL)  
キャリアテープ (CARRIER TAPE) : ポリプロピレン (POLYPROPYLENE)  
トップテープ (TOPTAPE) : PET , PE , PEF  
リール (REEL) : ポリスチレン (PS) <リサイクル材を含む>  
POLYSTYRENE(PS) <RECYCLE MATERIAL CONTAINED>

引き出し方向  
PULL OUT DIRECTION



REVISED EC NO: J2013-1267 DRWN: TARA101 CHKD: TASAKAWA APPR: MSASAO	2013/05/07 2013/05/08 2013/05/10	DESCRIPTION REV	GENERAL TOLERANCES (UNLESS SPECIFIED)		DIMENSION STYLE MM ONLY		SCALE ---	DESIGN UNITS METRIC	THIRD ANGLE PROJECTION		
			10 UNDER	±0.2	DRAWN BY Y. SAKIYA	DATE 2004/05/06	TITLE EMBSTP PKG FOR 0.5 B/B REC HSG ASSY (H=2.5) [NI BARRIER]-LEAD FREE-				
			10 OVER 30 UNDER	±0.25	CHECKED BY M. SASAO	DATE 2004/05/06					
			30 OVER	±0.3	APPROVED BY M. SASAO	DATE 2004/05/06					
ANGULAR ±3 °		DRAFT WHERE APPLICABLE MUST REMAIN WITHIN DIMENSIONS		THIS DRAWING CONTAINS INFORMATION THAT IS PROPRIETARY TO MOLEX INCORPORATED AND SHOULD NOT BE USED WITHOUT WRITTEN PERMISSION							



16mm幅キャリアテープ  
16mm WIDTH CARRIER TAPE

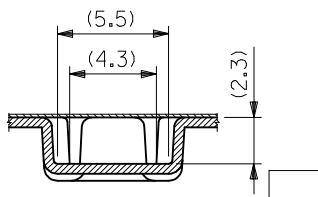
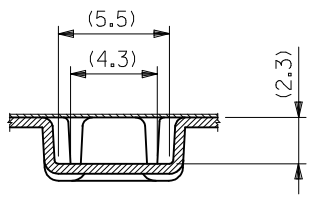
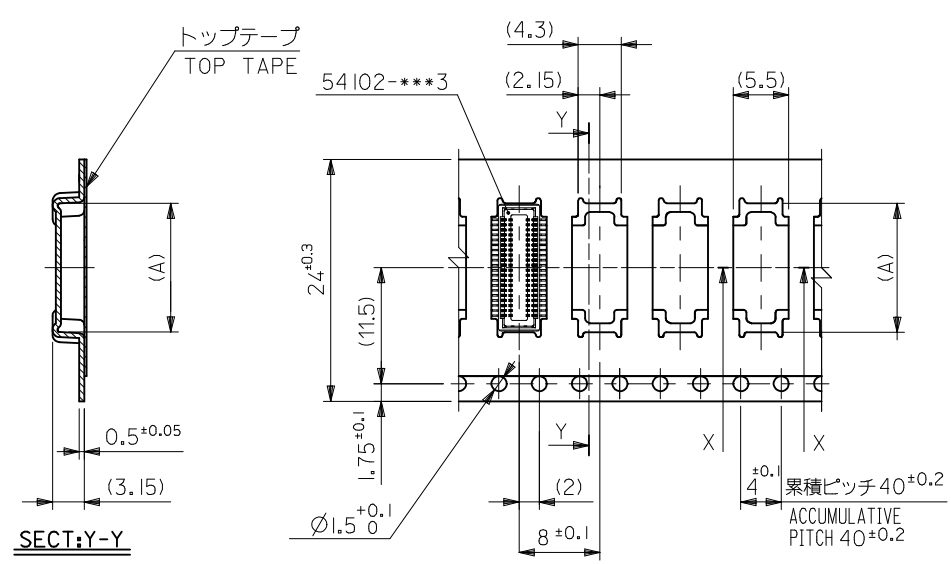
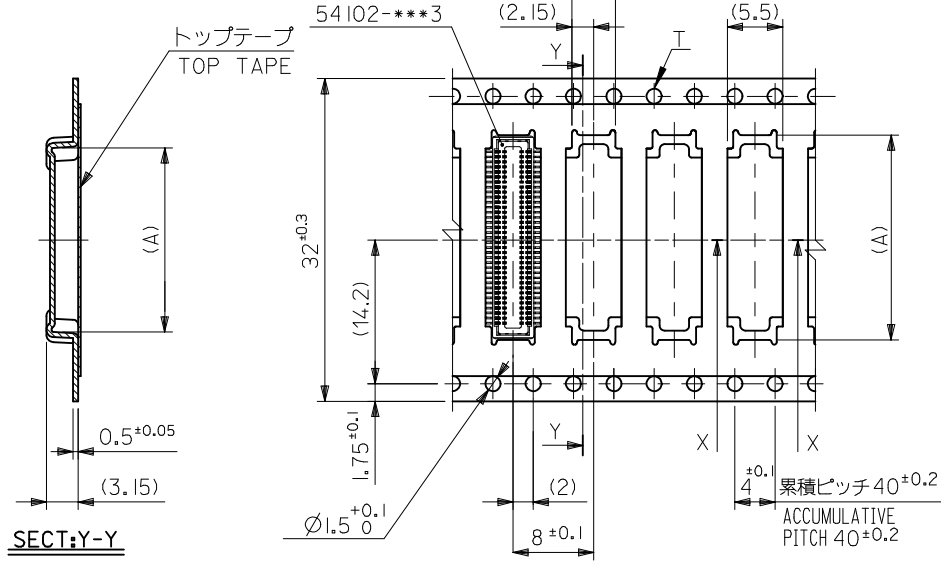
16	21.4	17.4	7.8	54102-0204	20
キャリアテープ幅 CARRIER TAPE WIDTH	E	D	6.8	54102-0164	16
		(A)		EMBOSSED TAPE PACKAGE ORDER No.	極致 CIRCUITS

CONNECTOR SERIES No. 54102-\*\*\*4  
SCALE --- METRIC  
THIRD ANGLE PROJECTION

REVISED EC NO: J2013-1267 DRWN: TARA101 CHKD: TASAKAWA APPR: MSASAO	DESCRIPTION REV	GENERAL TOLERANCES (UNLESS SPECIFIED)		DIMENSION STYLE MM ONLY		SCALE ---		DESIGN UNITS METRIC		TITLE	
		10 UNDER	±0.2	DRAWN BY Y. SAKIYA		DATE 2004/05/06		EMBSTP PKG FOR 0.5 B/B REC HSG ASSY (H=2.5) [NI BARRIER]-LEAD FREE-			
		10 OVER 30 UNDER	±0.25	CHECKED BY M. SASAO		DATE 2004/05/06					
		30 OVER	±0.3	APPROVED BY M. SASAO		DATE 2004/05/06					
ANGULAR ±3 °		DRAFT WHERE APPLICABLE MUST REMAIN WITHIN DIMENSIONS		MATERIAL NO. SEE CHRAT		DOCUMENT NO. SD-54102-007		SHEET NO. 2 OF 4			
SIZE A3		THIS DRAWING CONTAINS INFORMATION THAT IS PROPRIETARY TO MOLEX INCORPORATED AND SHOULD NOT BE USED WITHOUT WRITTEN PERMISSION									

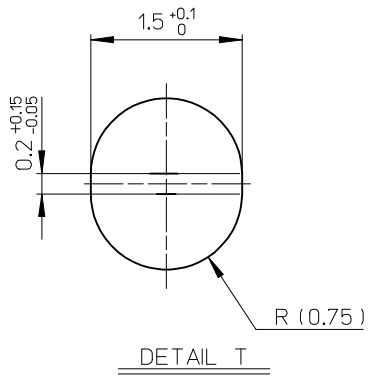
引き出し方向  
PULL OUT DIRECTION

引き出し方向  
PULL OUT DIRECTION



32mm幅キャリアテープ  
32mm WIDTH CARRIER TAPE

24mm幅キャリアテープ  
24mm WIDTH CARRIER TAPE

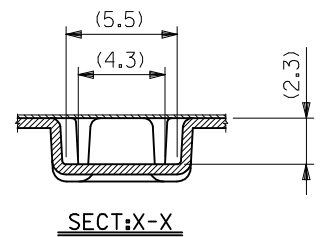
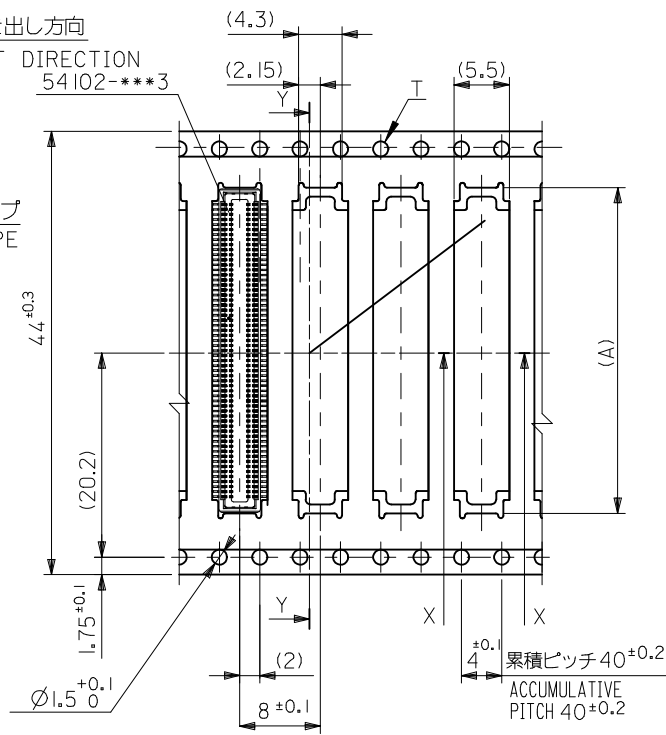
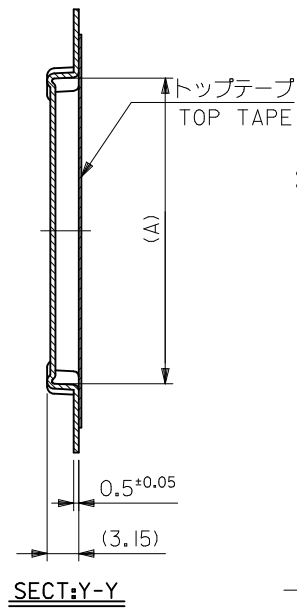


32	37.4	33.4	20.3	54102-0704	70
			17.8	54102-0604	60
24	29.4	25.4	15.3	54102-0504	50
			12.8	54102-0404	40
			10.3	54102-0304	30
キャリアテープ幅 CARRIER TAPE WIDTH	E	D	(A)	EMBOSSED TAPE PACKAGE ORDER No.	極数 CIRCUITS

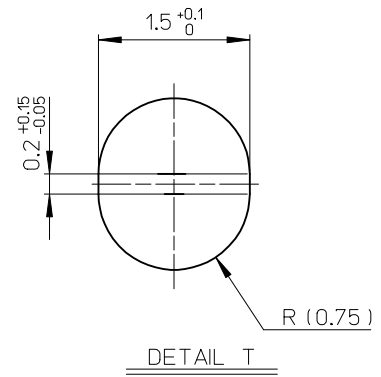
CONNECTOR SERIES No. 54102-\*\*\*4

REVISED EC NO: J2013-1267 DRWN: TARA101 CHKD: TASAKAWA APPR: MSASAO 2013/05/07 2013/05/08 2013/05/10	GENERAL TOLERANCES (UNLESS SPECIFIED)		DIMENSION STYLE MM ONLY		SCALE ---		DESIGN UNITS METRIC		THIRD ANGLE PROJECTION	
	10 UNDER	±0.2	DRAWN BY	DATE	TITLE					
	10 OVER 30 UNDER	±0.25	Y. SAKIYA	2004/05/06	EMBSTP PKG FOR 0.5 B/B REC HSG ASSY (H=2.5) [NI BARRIER]-LEAD FREE-					
	30 OVER	±0.3	M. SASAO	2004/05/06	<b>molex</b> DOCUMENT NO. SD-54102-007 SHEET NO. 3 OF 4					
	ANGULAR ±3 °		M. SASAO	2004/05/06						
DRAFT WHERE APPLICABLE MUST REMAIN WITHIN DIMENSIONS		MATERIAL NO.		SEE CHART						
		SIZE A3		THIS DRAWING CONTAINS INFORMATION THAT IS PROPRIETARY TO MOLEX INCORPORATED AND SHOULD NOT BE USED WITHOUT WRITTEN PERMISSION						

引き出し方向  
PULL OUT DIRECTION  
54102-\*\*\*3



44mm幅キャリアテープ  
44mm WIDTH CARRIER TAPE



44	49.4	45.4	22.8	54102-0804	80
キャリアテープ幅 CARRIER TAPE WIDTH	E	D	(A)	EMBOSSED TAPE PACKAGE ORDER No.	極致 CIRCUITS

CONNECTOR SERIES No. 54102-\*\*\*4

REVISED EC NO: J2013-1267 DRWN: TARA101 CHKD: TASAKAWA APPR: MSASAO 2013/05/07 2013/05/08 2013/05/10	GENERAL TOLERANCES (UNLESS SPECIFIED)		DIMENSION STYLE MM ONLY		SCALE ---		DESIGN UNITS METRIC		THIRD ANGLE PROJECTION	
	10 UNDER	±0.2	DRAWN BY Y. SAKIYA		DATE 2004/05/06		TITLE EMBSTP PKG FOR 0.5 B/B REC HSG ASSY (H=2.5) [NI BARRIER]-LEAD FREE-			
	10 OVER 30 UNDER	±0.25	CHECKED BY M. SASAO		DATE 2004/05/06		molex SD-54102-007 SHEET NO. 4 OF 4			
	30 OVER	±0.3	APPROVED BY MSASAO		DATE 2013/05/10					
REV	DESCRIPTION	ANGULAR ±3 °		MATERIAL NO.		DOCUMENT NO.		SEE CHART		
DRAFT WHERE APPLICABLE MUST REMAIN WITHIN DIMENSIONS		SIZE A3		THIS DRAWING CONTAINS INFORMATION THAT IS PROPRIETARY TO MOLEX INCORPORATED AND SHOULD NOT BE USED WITHOUT WRITTEN PERMISSION						