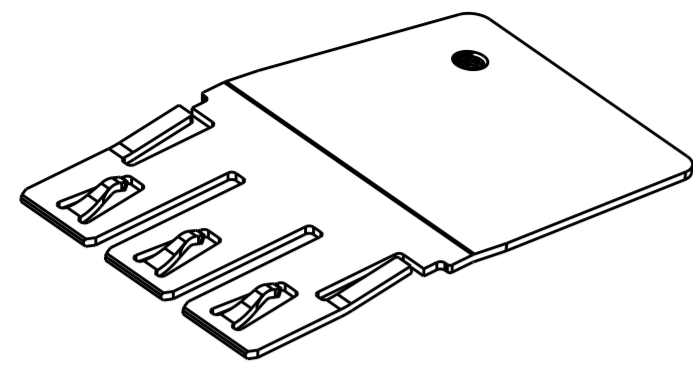
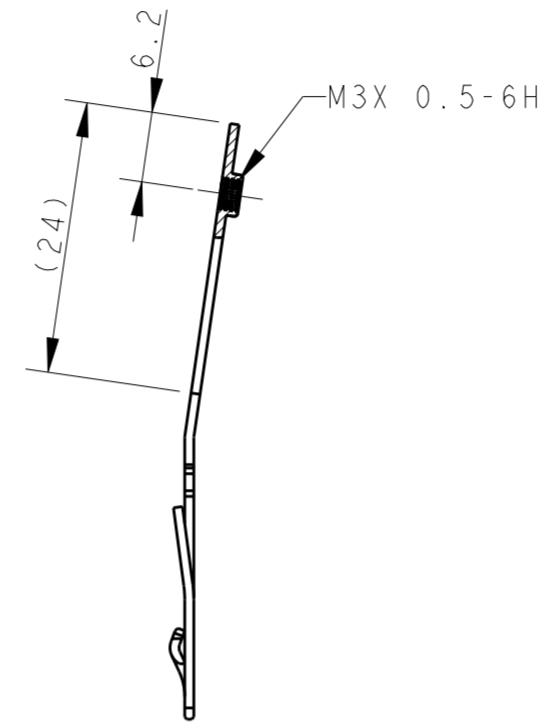
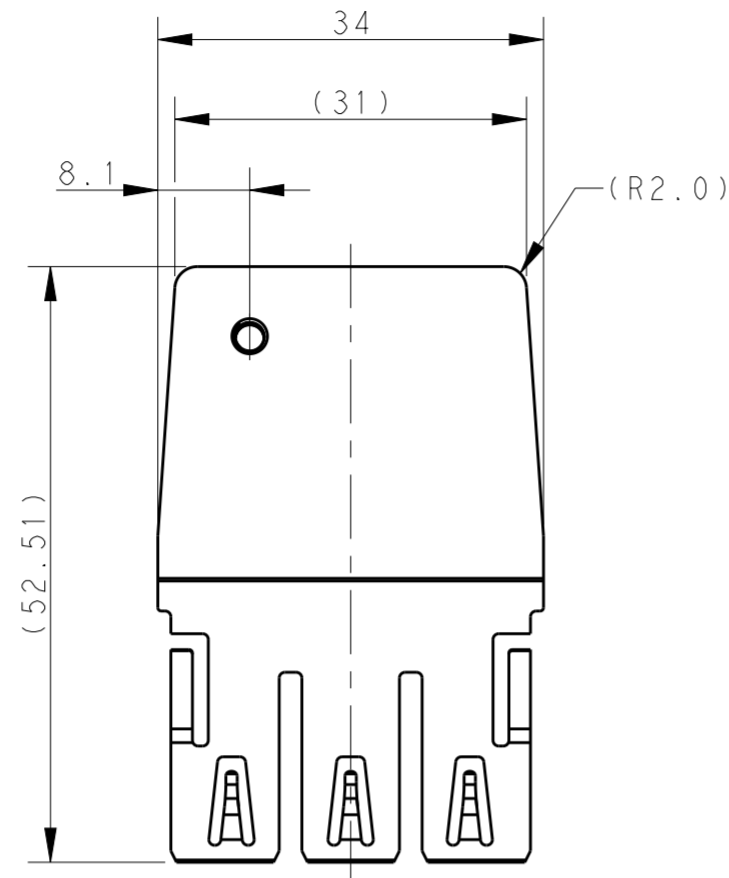


P	LTR	DESCRIPTION	DATE	DWN	APVD
A		INITIAL RELEASE	26DEC2019	DW	CW
B		ECR-20-005866	16JUN2020	DW	CW
C		ECR-20-015557	02NOV2020	DW	CW

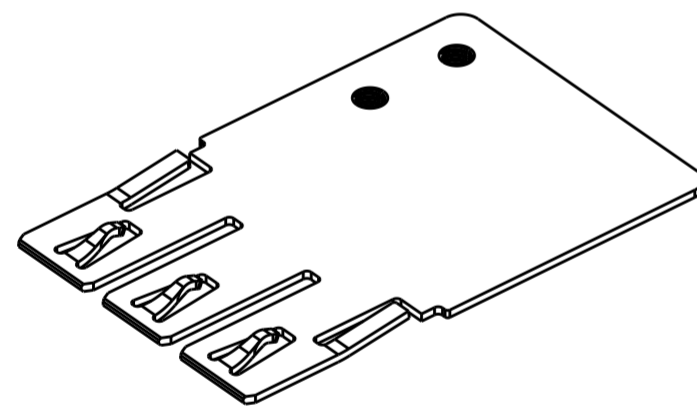


TYPE 1
类型1
T0920013670-000

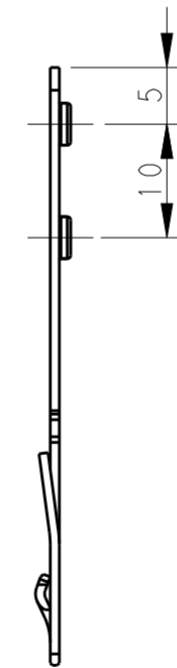
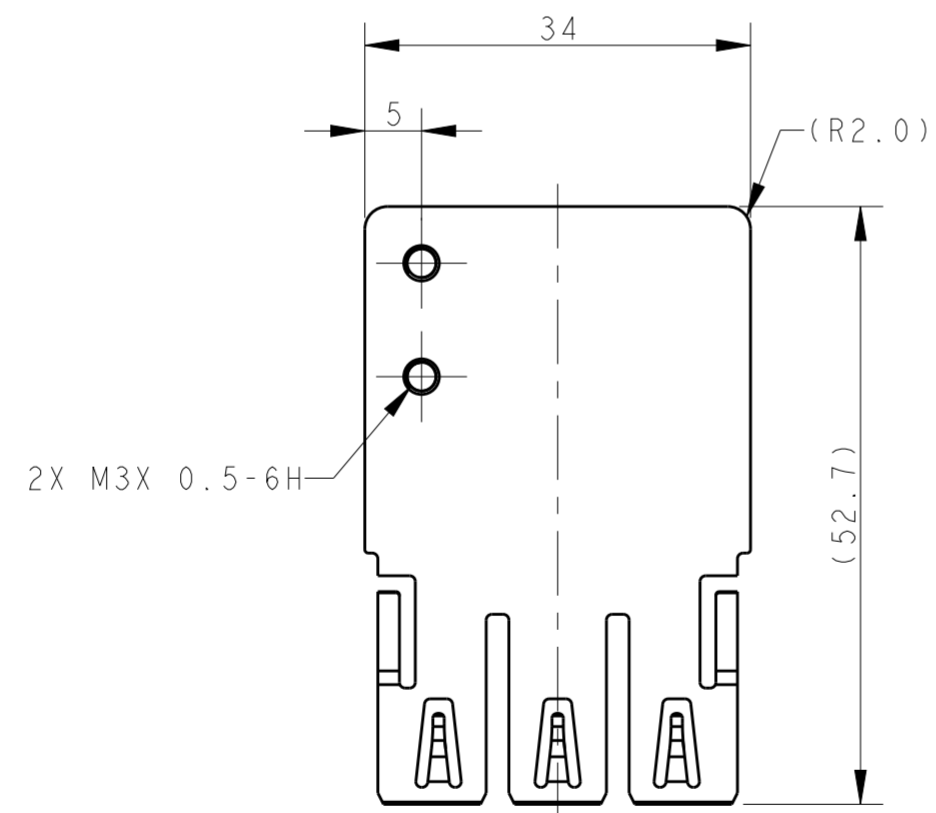


NOTES:
1. TECHNICAL CHARACTERISTICS:
MATERIAL: BRASS

注释:
1. 技术参数:
材料: 黄铜



TYPE 2
类型2
T0920013670-001



T0920013670-002	M SHIELD PLATE FOR HK-HDW3/1/1, BENDED, 2S HK-HDW3/1/1 公插屏蔽板, 折弯, 2个螺纹孔	TYPE 6 类型6
T0920023670-002	F SHIELD PLATE FOR HK-HDW3/1/1, BENDED HK-HDW3/1/1 母插屏蔽板, 折弯	TYPE 5 类型5
T0920023670-001	F SHIELD PLATE FOR HK-HDW3/1/1, STRAIGHT AND CUT HK-HDW3/1/1 母插屏蔽板, 直形带缺口	TYPE 4 类型4
T0920023670-000	F SHIELD PLATE FOR HK-HDW3/1/1, STRAIGHT HK-HDW3/1/1 母插屏蔽板, 直形	TYPE 3 类型3
T0920013670-001	M SHIELD PLATE FOR HK-HDW3/1/1, STRAIGHT HK-HDW3/1/1 公插屏蔽板, 直形	TYPE 2 类型2
T0920013670-000	M SHIELD PLATE FOR HK-HDW3/1/1, BENDED HK-HDW3/1/1 公插屏蔽板, 折弯, 1个螺纹孔	TYPE 1 类型1
PART NUMBER 零件料号	PART DESCRIPTION 零件描述	TYPE 类型

THIS DRAWING IS A CONTROLLED DOCUMENT.

DWN	23OCT2019	DAVID WANG
CHK	23OCT2019	GINO YAO
APVD	23OCT2019	CHRIS WANG

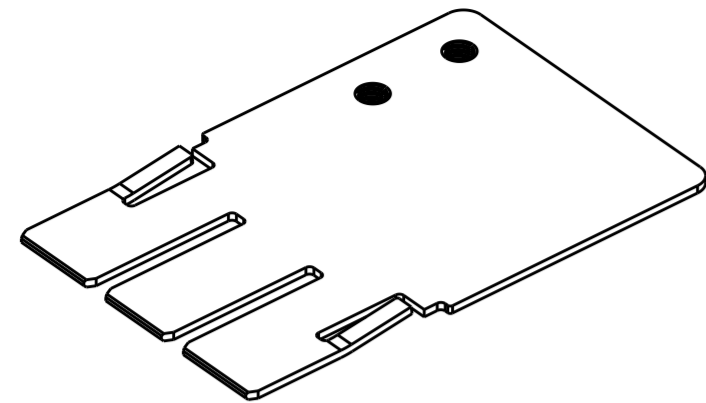
TE Connectivity

NAME SHIELD PLATE FOR HK-HDW3/1/1

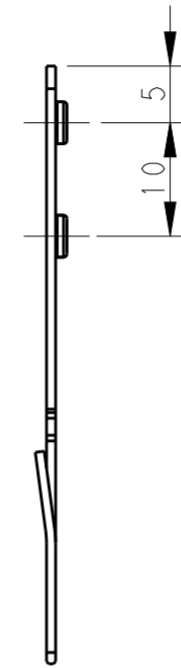
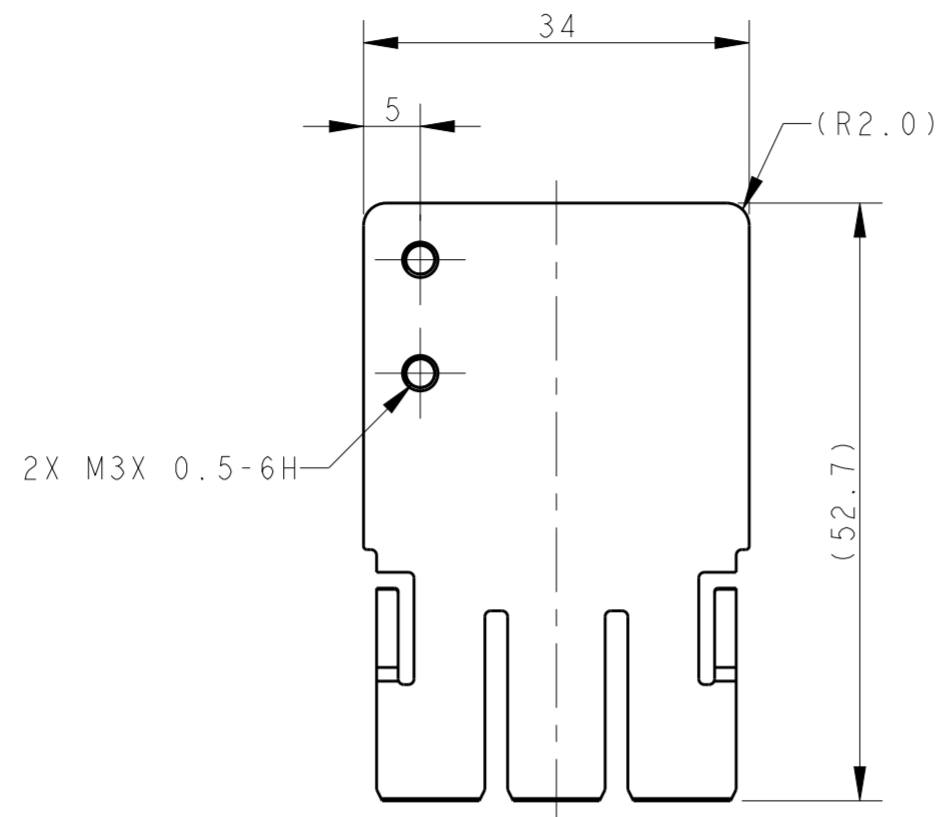
SIZE	CAGE CODE	DRAWING NO	RESTRICTED TO
A2	00779	C-T09200X367000X	

CUSTOMER DRAWING SCALE 3:2 SHEET 1 OF 3 REV C

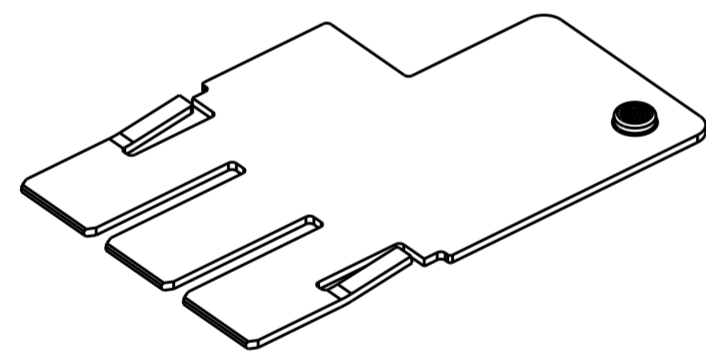
P	LTR	DESCRIPTION	DATE	DWN	APVD
-		SEE SHEET 1	-	-	-



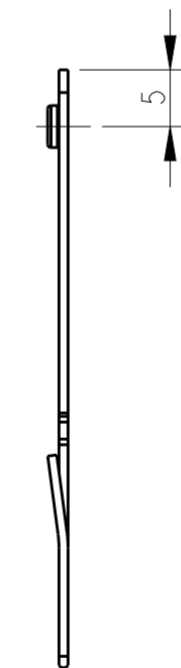
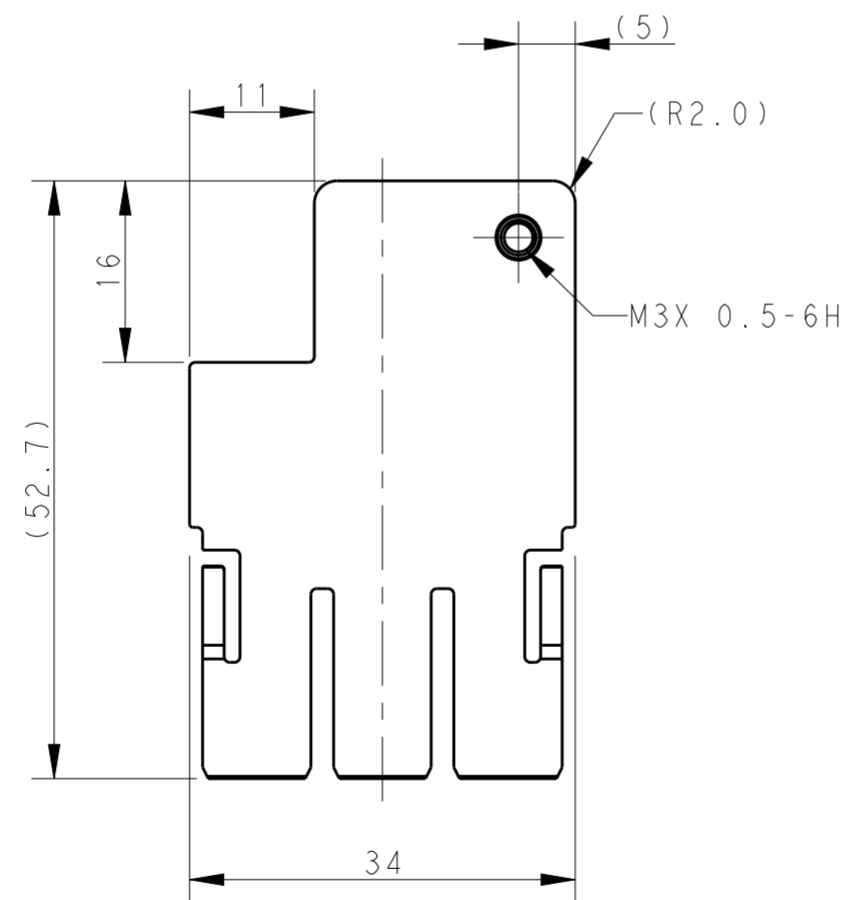
TYPE 3
类型3
T0920023670-000



NOTES:
SEE SHEET 1

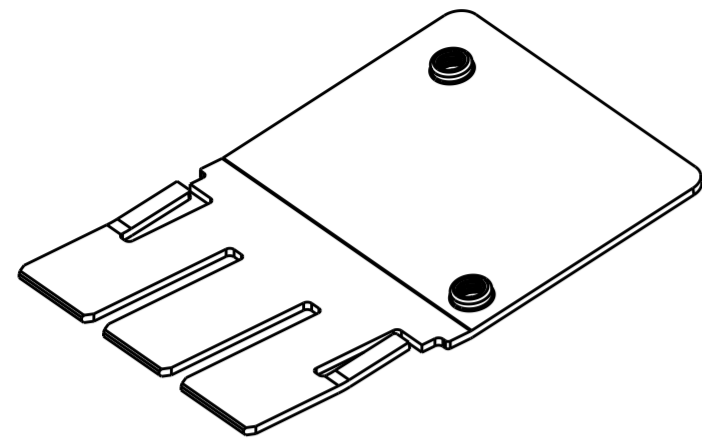


TYPE 4
类型4
T0920023670-001

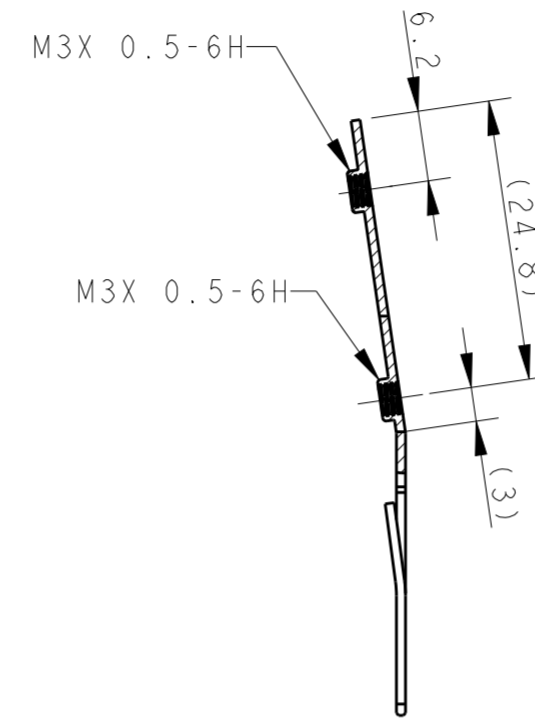
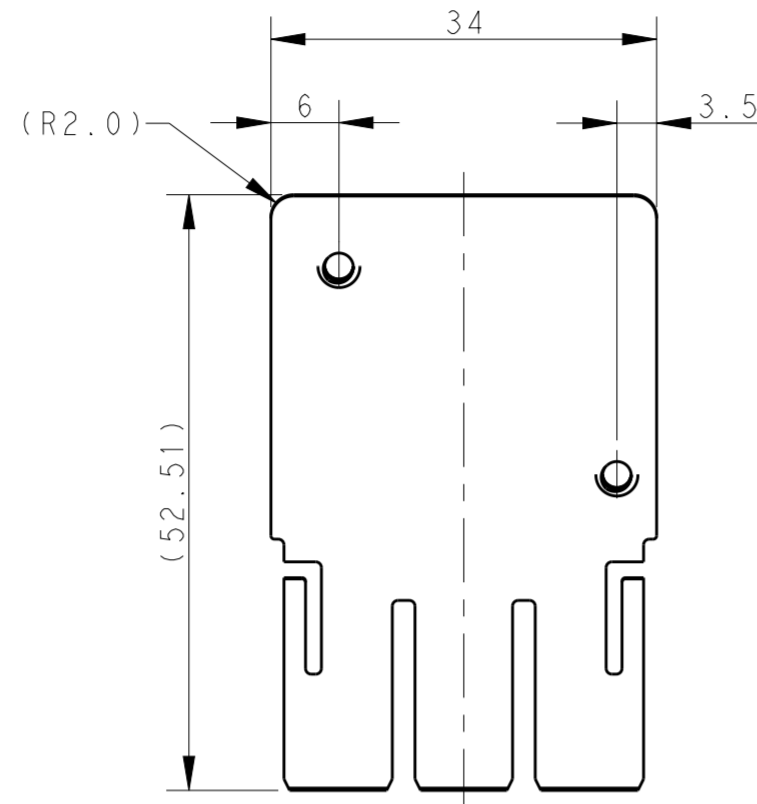


THIS DRAWING IS A CONTROLLED DOCUMENT.		DWN 23OCT2019 DAVID WANG	TE Connectivity	
DIMENSIONS: mm		CHK 23OCT2019 GINO YAO		
TOLERANCES UNLESS OTHERWISE SPECIFIED:		APVD 23OCT2019 CHRIS WANG	NAME SHIELD PLATE FOR HK-HDW3/1/1	
		PRODUCT SPEC	SIZE CAGE CODE DRAWING NO RESTRICTED TO	
MATERIAL		APPLICATION SPEC	A200779 C-T09200X367000X	
		WEIGHT	SCALE 3:2 SHEET 2 OF 3 REV C	
		CUSTOMER DRAWING		

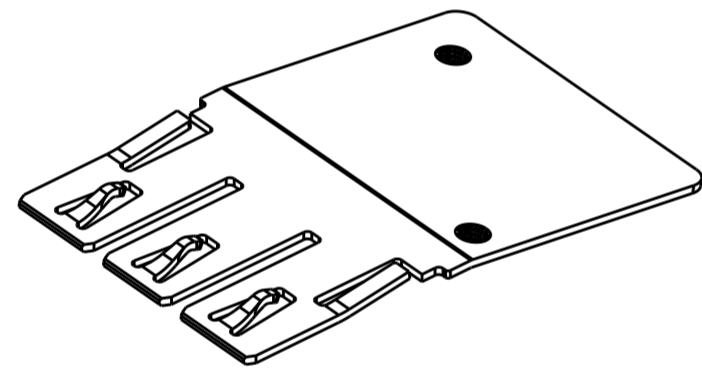
P	LTR	DESCRIPTION	DATE	DWN	APVD
-		SEE SHEET 1	-	-	-



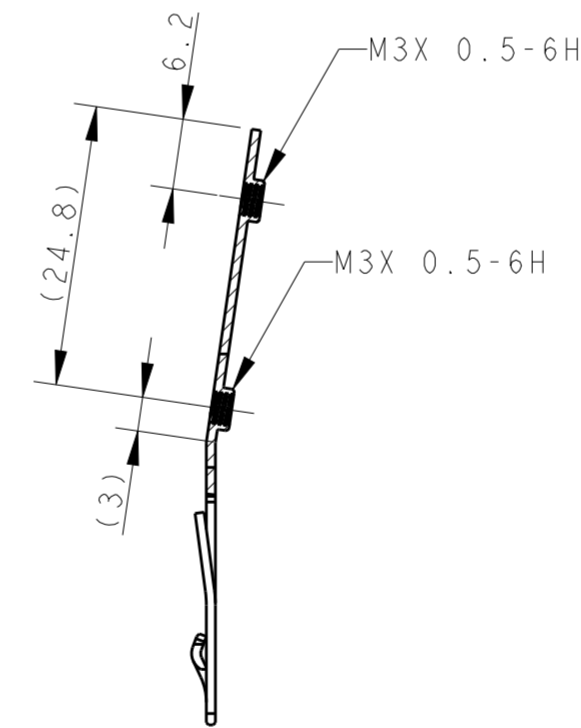
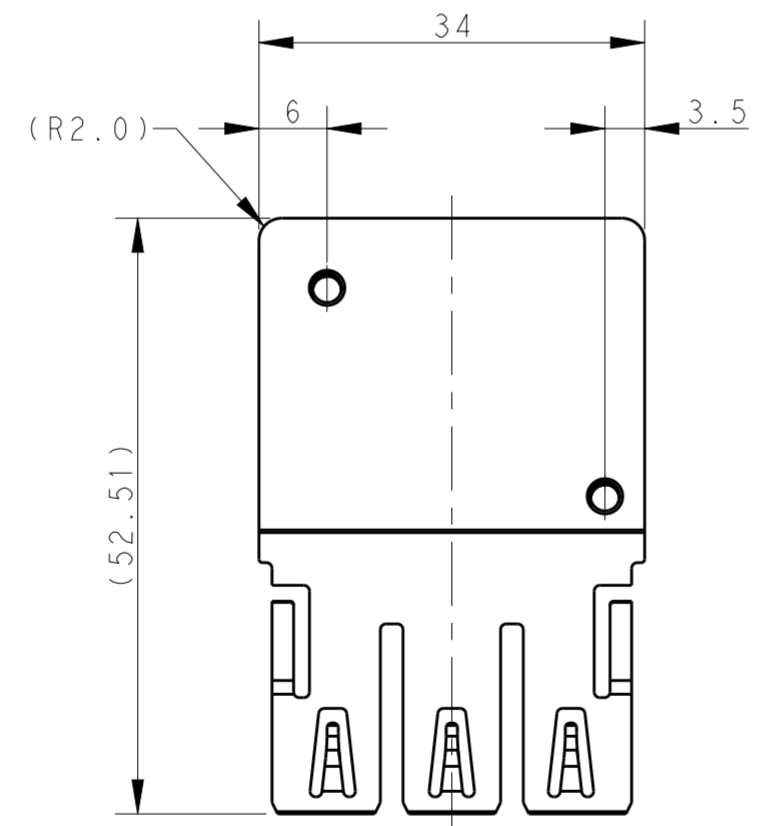
TYPE 5
类型5
T0920023670-002



NOTES:
SEE SHEET 1



TYPE 6
类型6
T0920013670-002



THIS DRAWING IS A CONTROLLED DOCUMENT.		DWN 23OCT2019 DAVID WANG	TE Connectivity	
DIMENSIONS:		CHK 23OCT2019 GINO YAO		
mm	TOLERANCES UNLESS OTHERWISE SPECIFIED:	APVD 23OCT2019 CHRIS WANG	NAME SHIELD PLATE FOR HK-HDW3/1/1	
	0 PLC ± 1 PLC ± 2 PLC ± 3 PLC ± 4 PLC ± ANGLES ± FINISH -	PRODUCT SPEC -	SIZE A200779	DRAWING NO. C-T09200X367000X
MATERIAL -		APPLICATION SPEC -	RESTRICTED TO	
		WEIGHT -	SCALE 3:2	SHEET 3 OF 3
		CUSTOMER DRAWING	REV C	