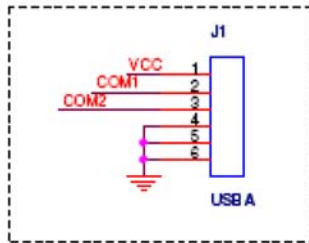


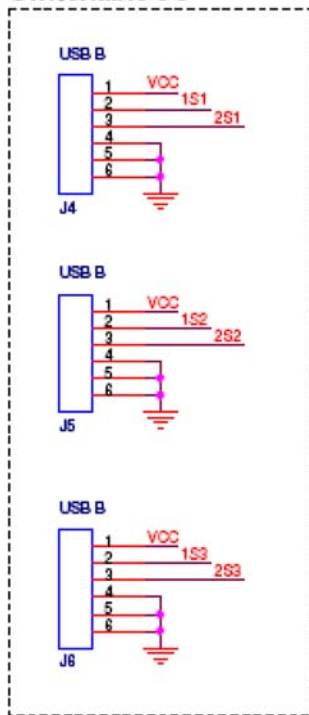


Schematic for the NCN9252MUGEVB Evaluation Board

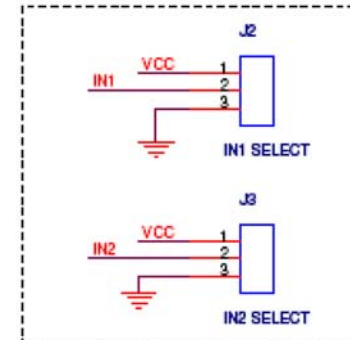
Common I/O



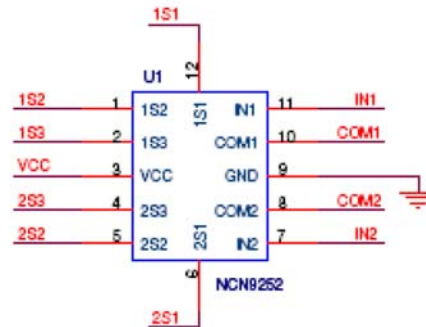
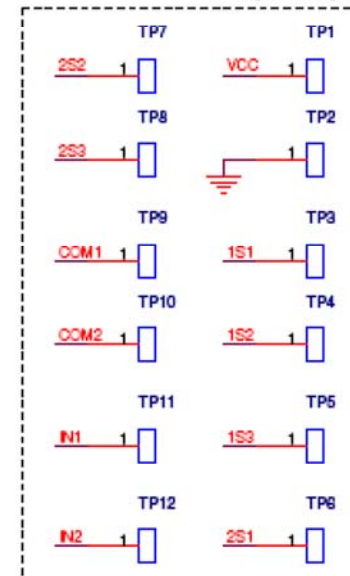
Switchable I/O



Control Lines



Test Points



Power supply

