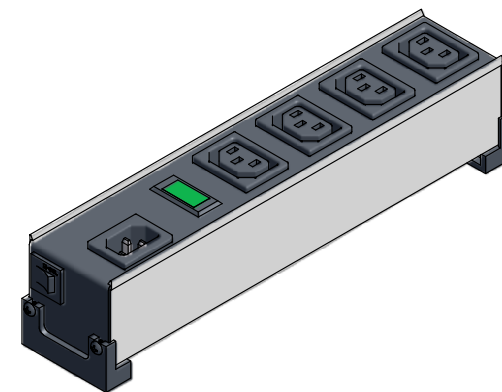
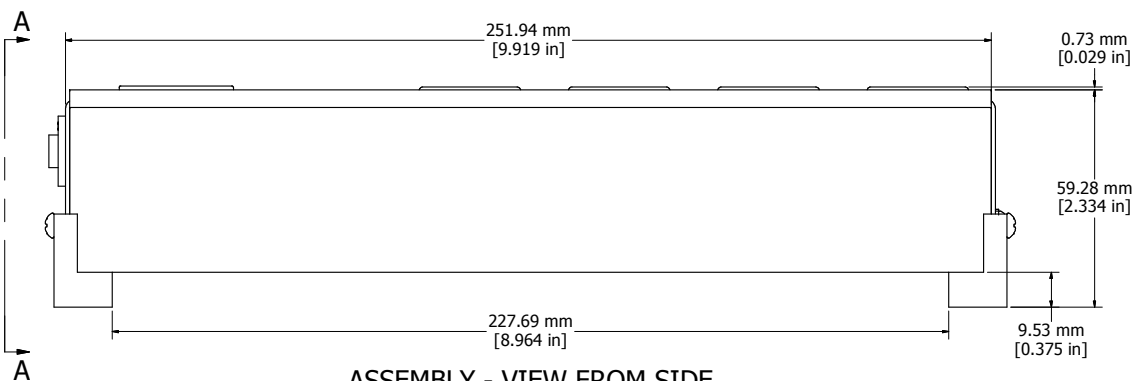


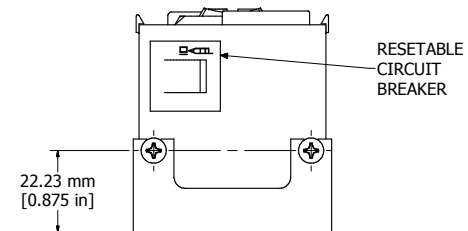
ASSEMBLY - VIEW FROM TOP



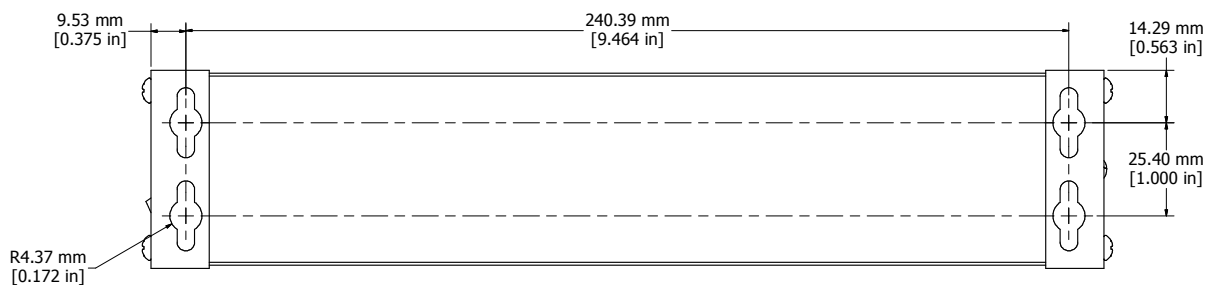
ISOMETRIC VIEW



ASSEMBLY - VIEW FROM SIDE



VIEW A-A



ASSEMBLY - VIEW FROM BOTTOM

| |
|--------------------------------------------------------------|
| 1581T4 |
| Finish - Top - Black Painted Steel |
| Bottom - Aluminum Extrusion |
| Rated - 230 VAC, 50/60 Hz, 10 Amps |
| Approvals - CSA Certified Standards C22.2 (No. 21-95, 42-99) |
| - cULus Listed Standards UL60950 & CSA C22.2 No. 60950 |
| - TUV-GS Certified Standards EN60335-1 & EN60950-1 |
| - CE Certified Registration #: AN 72031916 0001 |

