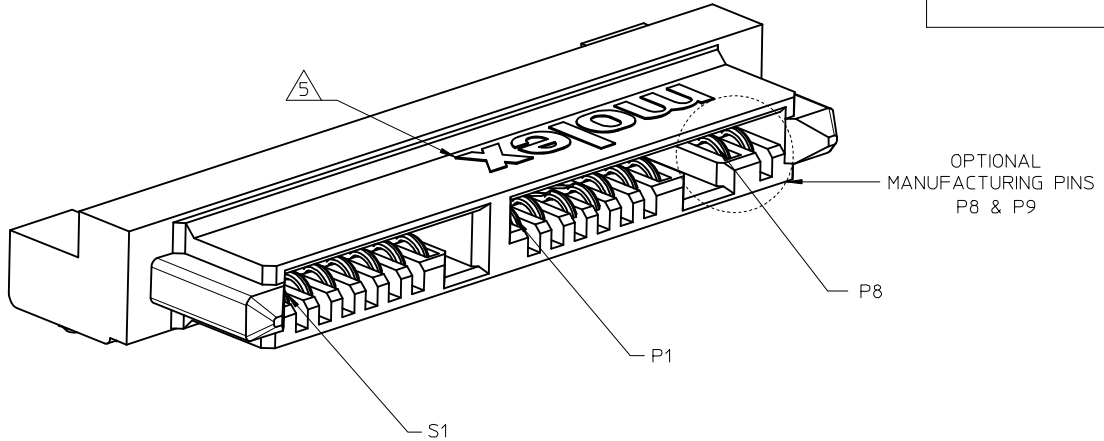
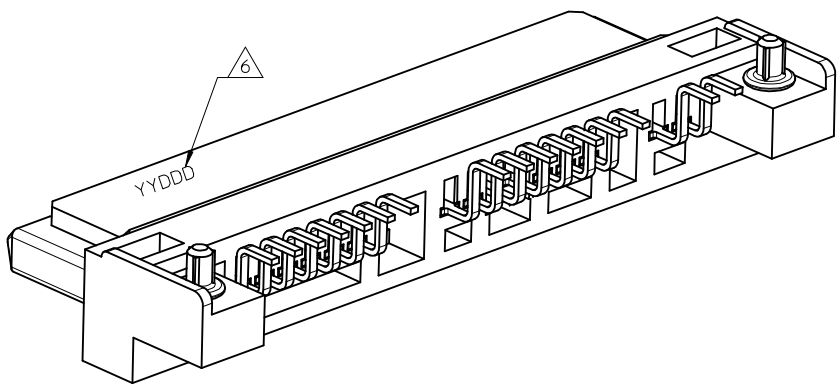


| PART NUMBER | TOTAL PINS | DESCRIPTION |
|-------------|------------|---|
| 78320-0001 | 16 | WITH OPTIONAL MANUFACTURING PINS (S1 TO S7 & P1 TO P9) |
| 78320-1001 | 14 | WITHOUT OPTIONAL MANUFACTURING PINS (S1 TO S7 & P1 TO P7) |



- NOTES:
- MATERIAL : NYLON (PA), GLASS FILLED, UL 94V-0, BLACK
TERMINAL/LOCATING PIN : COPPER ALLOY
 - FINISHES :
TERMINAL : 0.76µm MIN. SELECTIVE GOLD OVER
1.27µm MIN. NICKEL UNDERPLATE
: 2.54µm MIN. TIN OVER
1.27µm MIN. NICKEL UNDERPLATE
LOCATING PIN : 3.81µm MIN. TIN OVER
2.00µm MIN. NICKEL UNDERPLATE
 - PRODUCT SPECIFICATION: PS-78320-002
 - PACKAGING : TRAY
 - MOLEX LOGO LOCATED APPROXIMATELY AS SHOWN
 - DATE CODE LOCATED APPROXIMATELY AS SHOWN
 - THIS PRODUCT IS COMPLIANT TO RoHS DIRECTIVE WITH THE FOLLOWING BANNED SUBSTANCES - LEAD, MERCURY, CADMIUM, HEXAVALENT CHROMIUM, POLYBROMINATED BIPHENYLS AND POLYBROMINATED DIPHENYLS ETHERS.
 - NON FUNCTIONAL CORING MAY VARY.



| | | | | | | | | |
|---|--|---------------------------------------|--|---|--------------|--|------------------------|--|
| SEE SHEET 2 & 3 IEC NO: S2017-0025 DRWN:SKANG 2016/07/14 CH'KD:MLONG 2016/07/15 APPR:MLONG 2016/07/15 | QUALITY SYMBOLS $F_A=0$ $F_B=0$ $F_C=0$ | GENERAL TOLERANCES (UNLESS SPECIFIED) | | DIMENSION STYLE | SCALE | DESIGN UNITS | THIRD ANGLE PROJECTION | |
| | | | | MM ONLY | NTS | METRIC | | |
| | | | | DRAWN BY | DATE | TITLE | | |
| | | | | CHECKED BY | DATE | SERIAL ATA RECEPTACLE 1.8 INCH HDD/SSD R/A, SMT, 3.80MM HEIGHT | | |
| | | | | APPROVED BY | DATE | molex | | |
| | | | | BOKOK | 2010/01/26 | | | |
| | | | | MATERIAL NO. | DOCUMENT NO. | SHEET NO. | | |
| | | | | SEE TABLE | SD-78320-001 | 1 OF 5 | | |
| | | | | THIS DRAWING CONTAINS INFORMATION THAT IS PROPRIETARY TO MOLEX INCORPORATED AND SHOULD NOT BE USED WITHOUT WRITTEN PERMISSION | | | | |

F

E

D

C

B

A

F

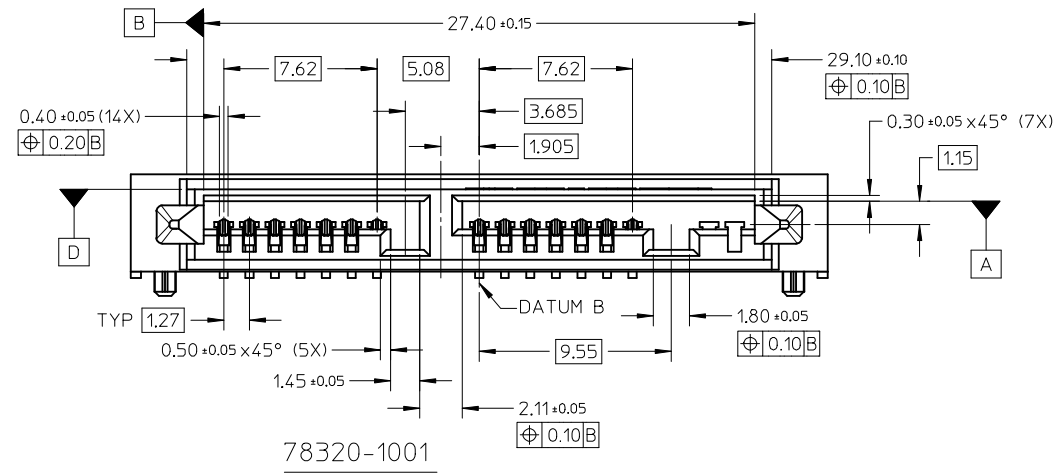
E

D

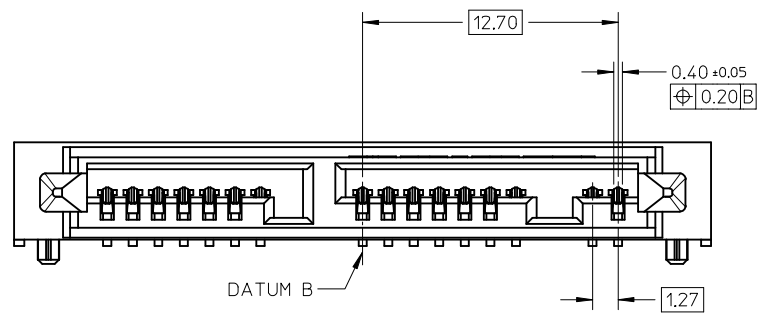
C

B

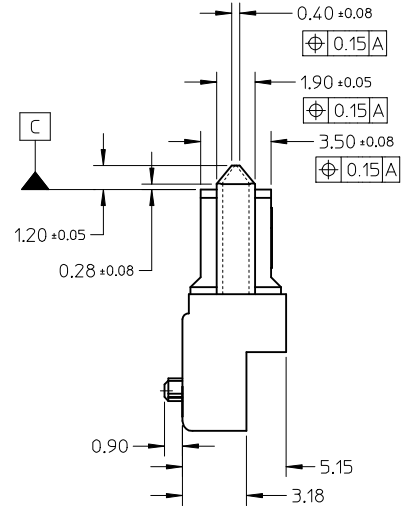
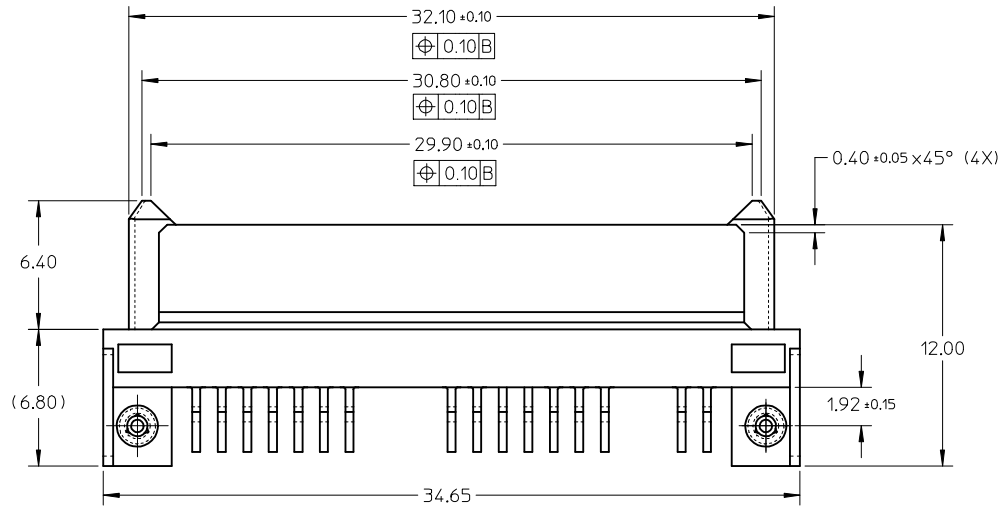
A



78320-1001



78320-0001



| ADD DIM [C10] & [B10] | DESCRIPTION |
|-----------------------|-------------|
| EC NO: S2017-0025 | 2016/07/14 |
| DRWN:SKANG | 2016/07/15 |
| CHKD:MLONG | 2016/07/15 |
| APPR:MLONG | 2016/07/15 |
| A4 | |

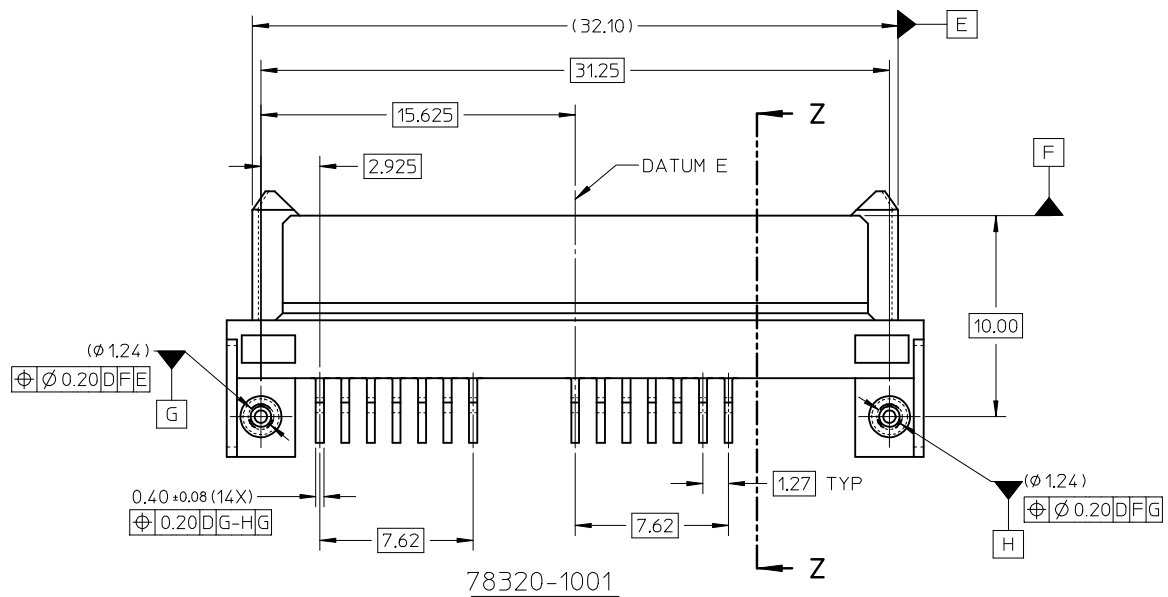
| QUALITY SYMBOLS |
|-----------------|
| $F_A=0$ |
| $F_C=0$ |
| $F_P=0$ |

| GENERAL TOLERANCES (UNLESS SPECIFIED) | |
|--|--------|
| | mm |
| 4 PLACES | ± 0.10 |
| 3 PLACES | ± 0.15 |
| 2 PLACES | ± 0.20 |
| 1 PLACE | ± 0.30 |
| 0 PLACE | ± 0.40 |
| ANGULAR ± 3° | |
| DRAFT WHERE APPLICABLE MUST REMAIN WITHIN DIMENSIONS | |

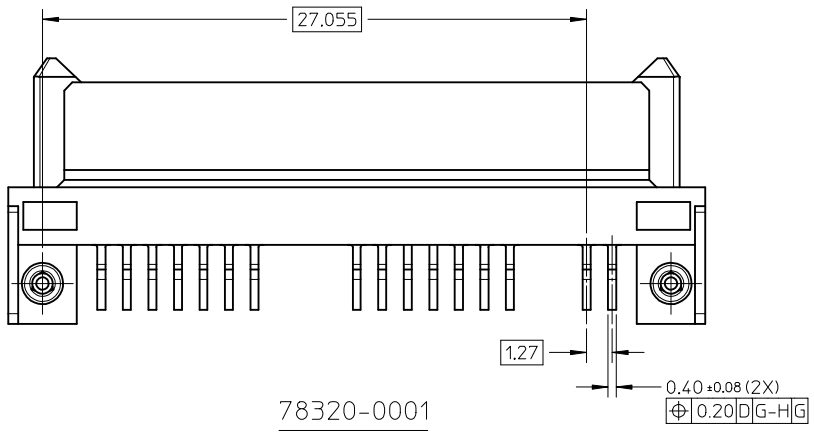
| DIMENSION STYLE | |
|-----------------|------------|
| MM ONLY | |
| DRAWN BY | DATE |
| GMENARLY | 2007/08/23 |
| CHECKED BY | DATE |
| YKOH | 2007/10/04 |
| APPROVED BY | DATE |
| BOKOK | 2010/01/26 |
| MATERIAL NO. | |
| SEE TABLE | |
| SIZE | A3 |

| SCALE | DESIGN UNITS | THIRD ANGLE PROJECTION |
|---|--------------|------------------------|
| NTS | METRIC | |
| TITLE | | |
| SERIAL ATA RECEPTACLE | | |
| 1.8 INCH HDD/SSD | | |
| R/A, SMT, 3.80MM HEIGHT | | |
| molex | | |
| DOCUMENT NO. | SHEET NO. | |
| SD-78320-001 | 2 OF 5 | |
| THIS DRAWING CONTAINS INFORMATION THAT IS PROPRIETARY TO MOLEX INCORPORATED AND SHOULD NOT BE USED WITHOUT WRITTEN PERMISSION | | |

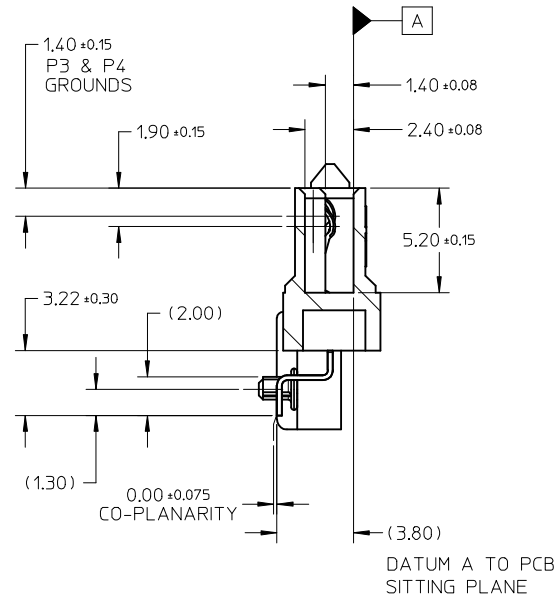
10 9 8 7 6 5 4 3 2 1



78320-1001



78320-0001



SECTION Z-Z

DATUM A TO PCB SITTING PLANE

| | | | | | | | | | | | |
|---|---|---------------------------------------|--|-----------------|------|---|--------------|-------------------------|--|-----------|--|
| ADD DIM [D3] & [E3] EC NO: S2017-0025 DRWN:SKANG 2016/07/14 CHKD:MLONG 2016/07/15 APPR:MLONG 2016/07/15 | QUALITY SYMBOLS $\nabla = 0$ $\nabla = 0$ $\nabla = 0$ | GENERAL TOLERANCES (UNLESS SPECIFIED) | | DIMENSION STYLE | | SCALE | DESIGN UNITS | THIRD ANGLE PROJECTION | | | |
| | | | | MM ONLY | | NTS | METRIC | | | | |
| | | | | mm | INCH | DRAWN BY | DATE | TITLE | | | |
| | | | | | | GMENARLY | 2007/08/23 | SERIAL ATA RECEPTACLE | | | |
| | | | | | | CHECKED BY | DATE | 1.8 INCH HDD/SSD | | | |
| | | | | | | YKOH | 2007/10/04 | R/A, SMT, 3.80MM HEIGHT | | | |
| | | | | | | APPROVED BY | | DATE | | | |
| | | | | | | BOKOK | | 2010/01/26 | | | |
| | | | | | | MATERIAL NO. | | DOCUMENT NO. | | SHEET NO. | |
| | | | | | | SEE TABLE | | SD-78320-001 | | 3 OF 5 | |
| | | | | | | THIS DRAWING CONTAINS INFORMATION THAT IS PROPRIETARY TO MOLEX INCORPORATED AND SHOULD NOT BE USED WITHOUT WRITTEN PERMISSION | | | | | |

9 8 7 6 5 4 3 2 1

10 9 8 7 6 5 4 3 2 1

F

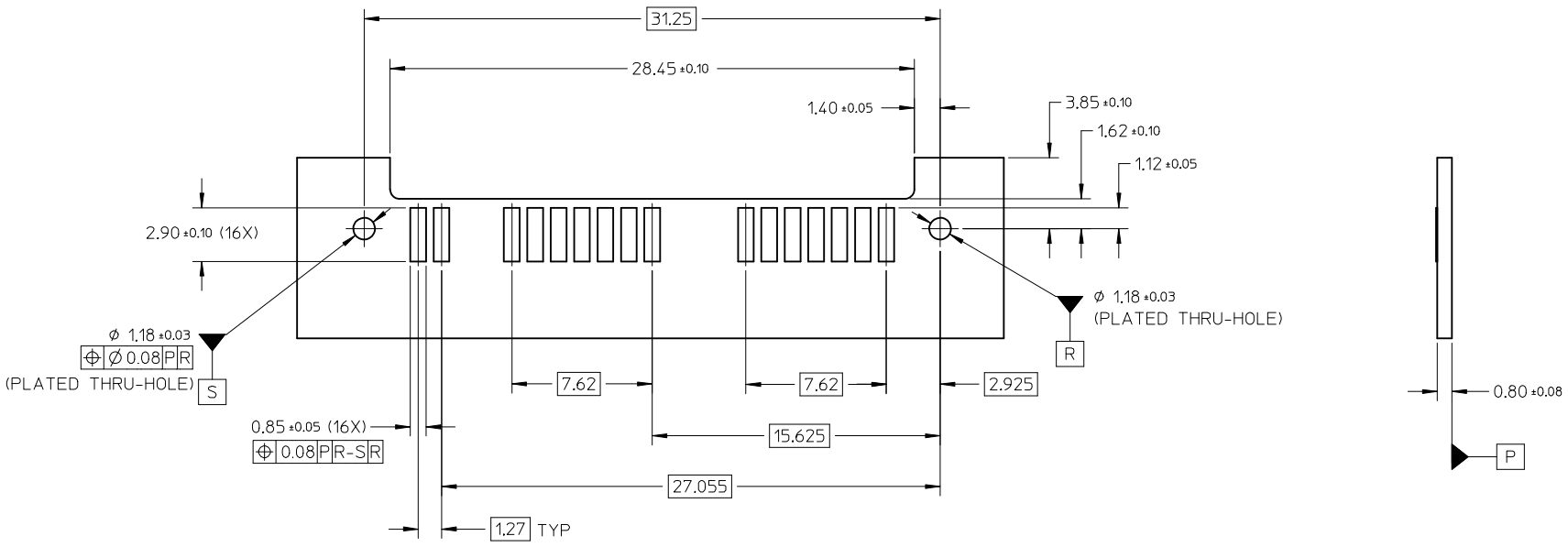
E

D

C

B

A



RECOMMENDED PCB LAYOUT

| | | | | | | | | | | |
|---|---|---------------------------------------|--|----------------------------|----------------------|---|---|------------------------|--|--|
| SEE SHEET 2 & 3 EC NO: S2017-0025 DRWN:SKANG 2016/07/14 CHKD:MLONG 2016/07/15 APPR:MLONG 2016/07/15 | QUALITY SYMBOLS $\nabla_F=0$ $\nabla_F=0$ $\nabla_F=0$ | GENERAL TOLERANCES (UNLESS SPECIFIED) | | DIMENSION STYLE MM ONLY | | SCALE NTS | DESIGN UNITS METRIC | THIRD ANGLE PROJECTION | | |
| | | | mm | INCH | DRAWN BY GMENARLY | DATE 2007/08/23 | TITLE SERIAL ATA RECEPTACLE 1.8 INCH HDD/SSD R/A, SMT, 3.80MM HEIGHT | | | |
| | | 4 PLACES | ± --- | ± --- | CHECKED BY YKOH | DATE 2007/10/04 | molex | | | |
| | | 3 PLACES | ± --- | ± --- | APPROVED BY BOKOK | DATE 2010/01/26 | | | | |
| 2 PLACES | ± 0.20 | ± --- | ANGULAR ± 3 ° | | MATERIAL NO. | DOCUMENT NO. | SHEET NO. | | | |
| 1 PLACE | ± --- | ± --- | DRAFT WHERE APPLICABLE MUST REMAIN WITHIN DIMENSIONS | | SEE TABLE | SD-78320-001 | 4 OF 5 | | | |
| 0 PLACE | ± | ± | | | SIZE A3 | THIS DRAWING CONTAINS INFORMATION THAT IS PROPRIETARY TO MOLEX INCORPORATED AND SHOULD NOT BE USED WITHOUT WRITTEN PERMISSION | | | | |

9 8 7 6 5 4 3 2 1

10 9 8 7 6 5 4 3 2 1

F

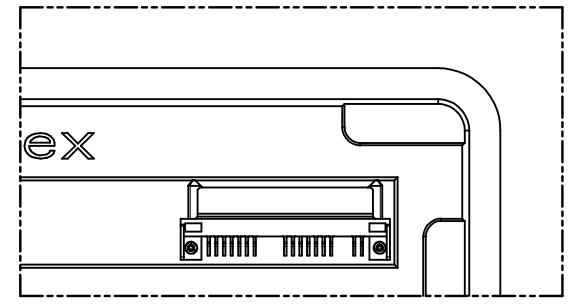
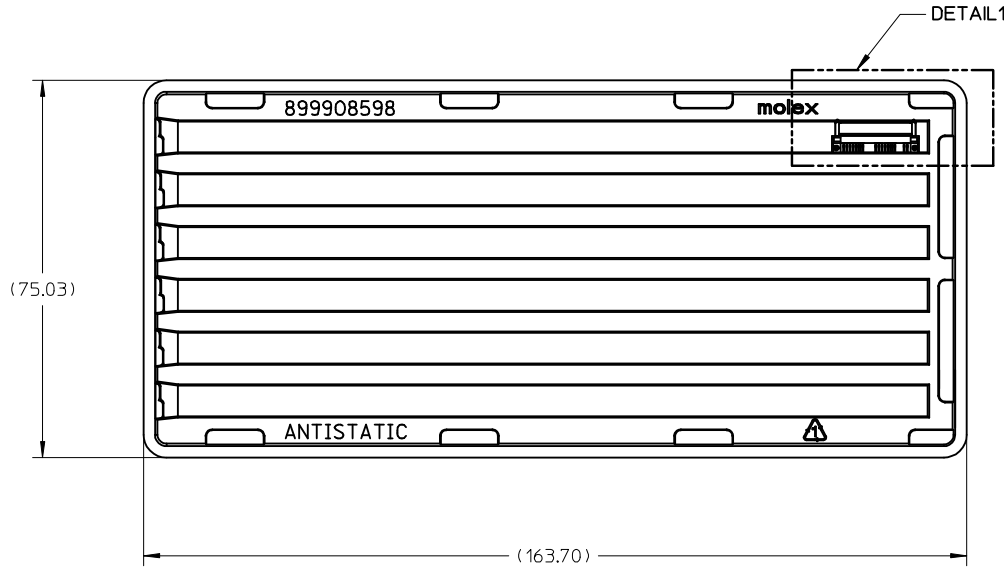
E

D

C

B

A



DETAIL 1

- NOTES:
1. PACKAGING QTY: 54PCS/TRAY
 2. MATERIAL: PVC-CLEAR, ANTISTATIC
0.70MM THICK (PRE-FORMED)

| | | | | | | | | | |
|---|-----------------------|--|--|---|---|------------------|--------------|------------------------|------------------------|
| SEE SHEET 2 & 3 EC NO: S2017-0025 DRWN:SKANG 2016/07/14 CHKD:MLONG 2016/07/15 APPR:MLONG 2016/07/15 | REV DESCRIPTION A4 | QUALITY SYMBOLS | GENERAL TOLERANCES (UNLESS SPECIFIED) | | DIMENSION STYLE MM ONLY | | SCALE NTS | DESIGN UNITS METRIC | THIRD ANGLE PROJECTION |
| | | $F_A=0$ $F_C=0$ $F_P=0$ | mm INCH 4 PLACES ± --- ± --- 3 PLACES ± --- ± --- 2 PLACES ± 0.20 ± --- 1 PLACE ± --- ± --- 0 PLACE ± ± | DRAWN BY GMENARLY CHECKED BY YKOH APPROVED BY BOKOK MATERIAL NO. | DATE 2007/08/23 DATE 2007/10/04 DATE 2010/01/26 | TITLE | | | |
| | | ANGULAR ± 3 ° DRAFT WHERE APPLICABLE MUST REMAIN WITHIN DIMENSIONS | SEE TABLE | SERIAL ATA RECEPTACLE 1.8 INCH HDD/SSD R/A, SMT, 3.80MM HEIGHT | DOCUMENT NO. SD-78320-001 | SHEET NO. 5 OF 5 | | | |
| | | THIS DRAWING CONTAINS INFORMATION THAT IS PROPRIETARY TO MOLEX INCORPORATED AND SHOULD NOT BE USED WITHOUT WRITTEN PERMISSION | | | | | | | |

9 8 7 6 5 4 3 2 1