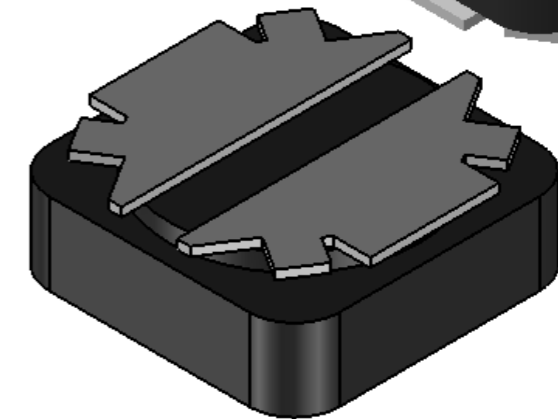
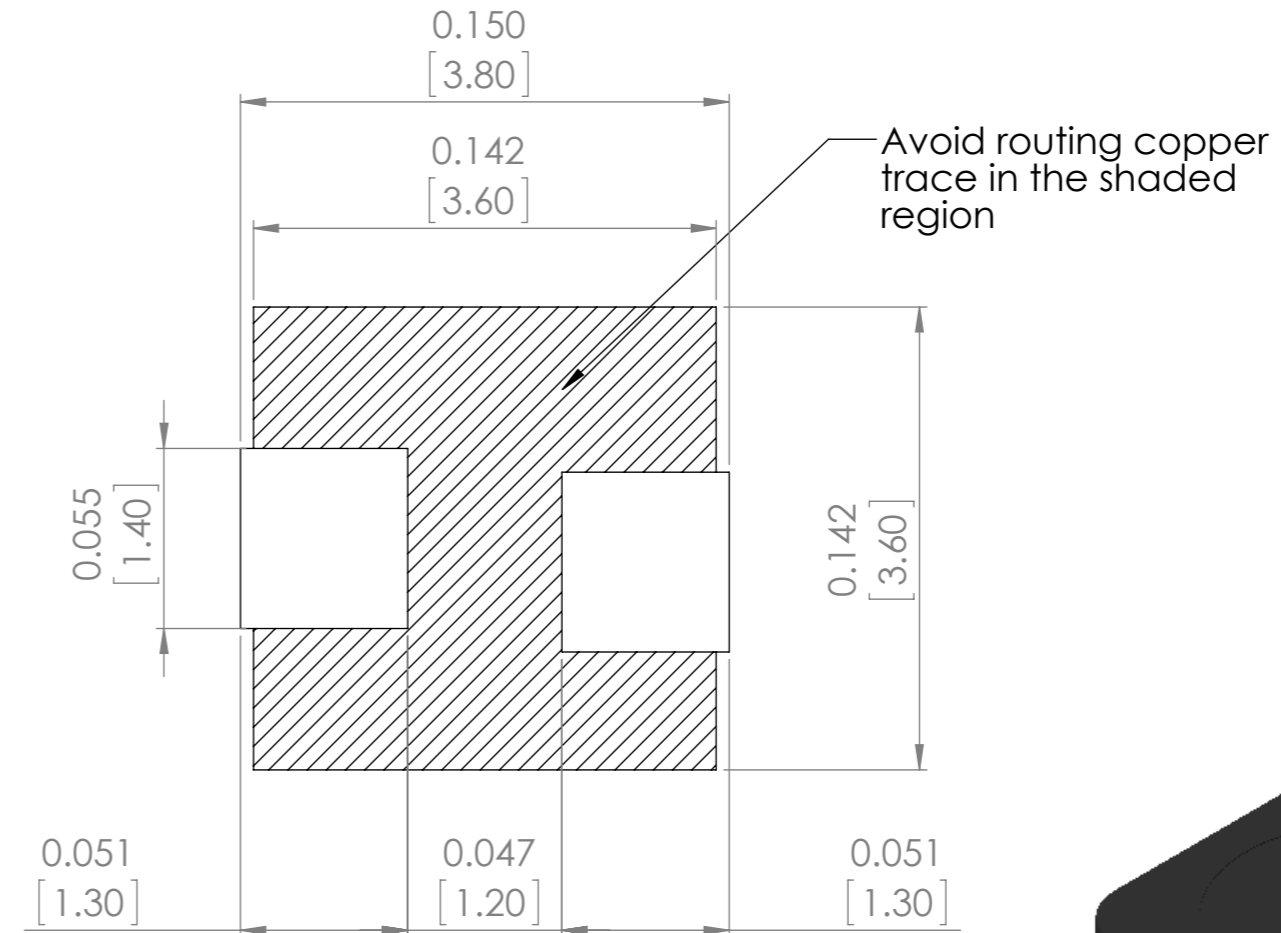
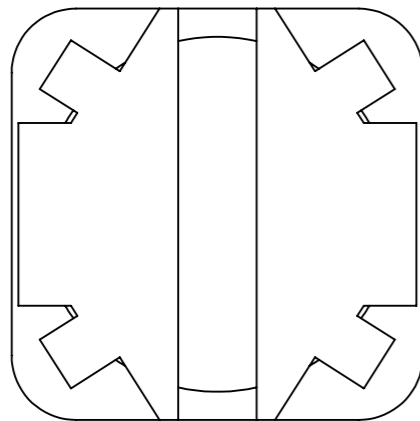
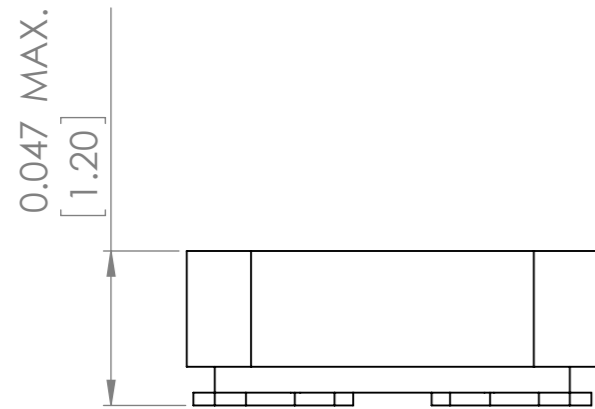
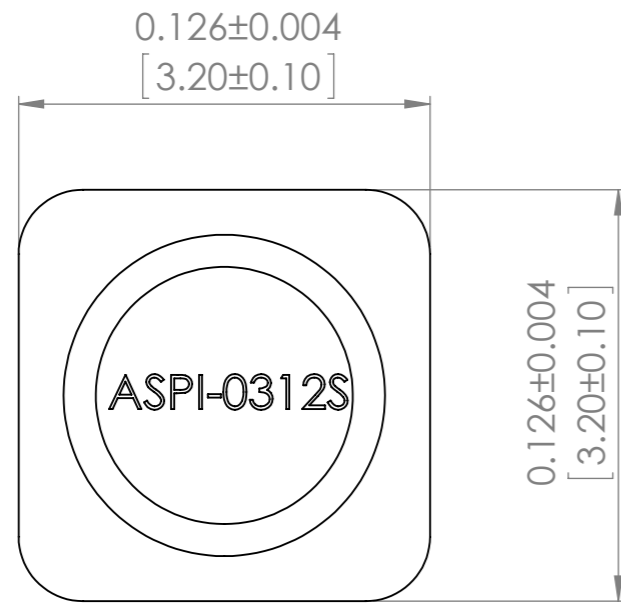
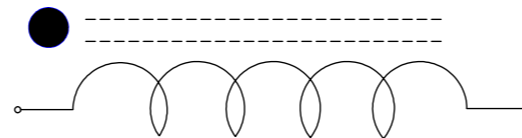



Recommended Land Pattern



Circuit Schematic

St.side



UNLESS OTHERWISE SPECIFIED: DIMENSIONS ARE IN INCH(MM) SURFACE FINISH: TOLERANCES: LINEAR: ANGULAR:				FINISH:		DEBUR AND BREAK SHARP EDGES		DO NOT SCALE DRAWING		REVISION -	
DRAWN SAAZVAT				SIGNATURE		DATE		 ABRACON CORPORATION 30332 Esperanza, Rancho Santa margarita, California 92688 TITLE: Power DWG NO. ASPI-0312S SCALE: 17:1			
CHK'D XXXXXX											
APPV'D											
MFG											
Q.A											
				MATERIAL:				A3			
				WEIGHT:				SHEET 1 OF 1			