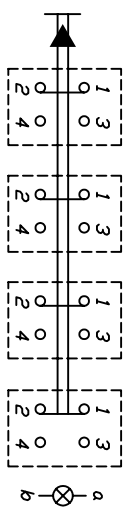


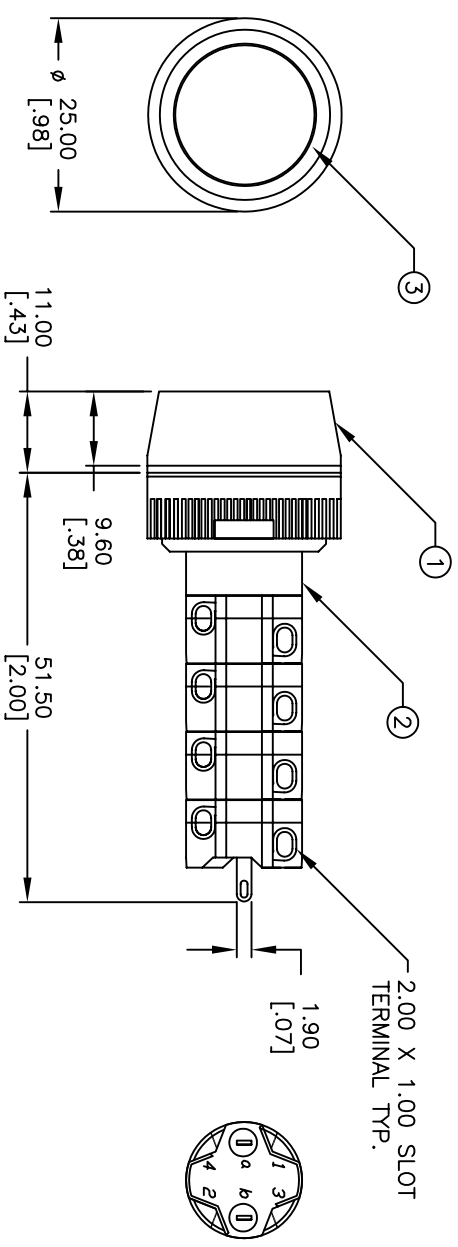
RECOMMENDED PANEL MOUNTING



4PST CONTACT CONFIGURATION

- NOTES:
1. ALL DIMENSIONS IN MM [INCH]
 2. GENERAL TOLERANCE: X.X=±0.4
X.XX=±0.25
 3. RATINGS: 250VAC @1A, 2A, 4A, 5A

PARTS LIST		
Item	Qty.	Dwg. No. Part No.
1	1	F051702 25mm RING FOR LA SERIES
2	1	F060605 LASEEV140
3	1	F060252 25mm ORG LENS
-	1	F050405 50-004-05 (LAMP)



A	11189	RELEASED FOR PRODUCTION	1/22/01	CJB
REV.	ECN No.	DESCRIPTION	DATE	CHKD
THE INFORMATION CONTAINED IN THIS DOCUMENT IS PROPRIETARY TO E-SWITCH AND IS NOT TO BE COPIED OR TRANSFERRED				

TITLE: LAS EE V1 4C DRG

SCALE: 1:1

DATE: 1/22/01

DR: CJB

DWG: XF0379A

REV: A