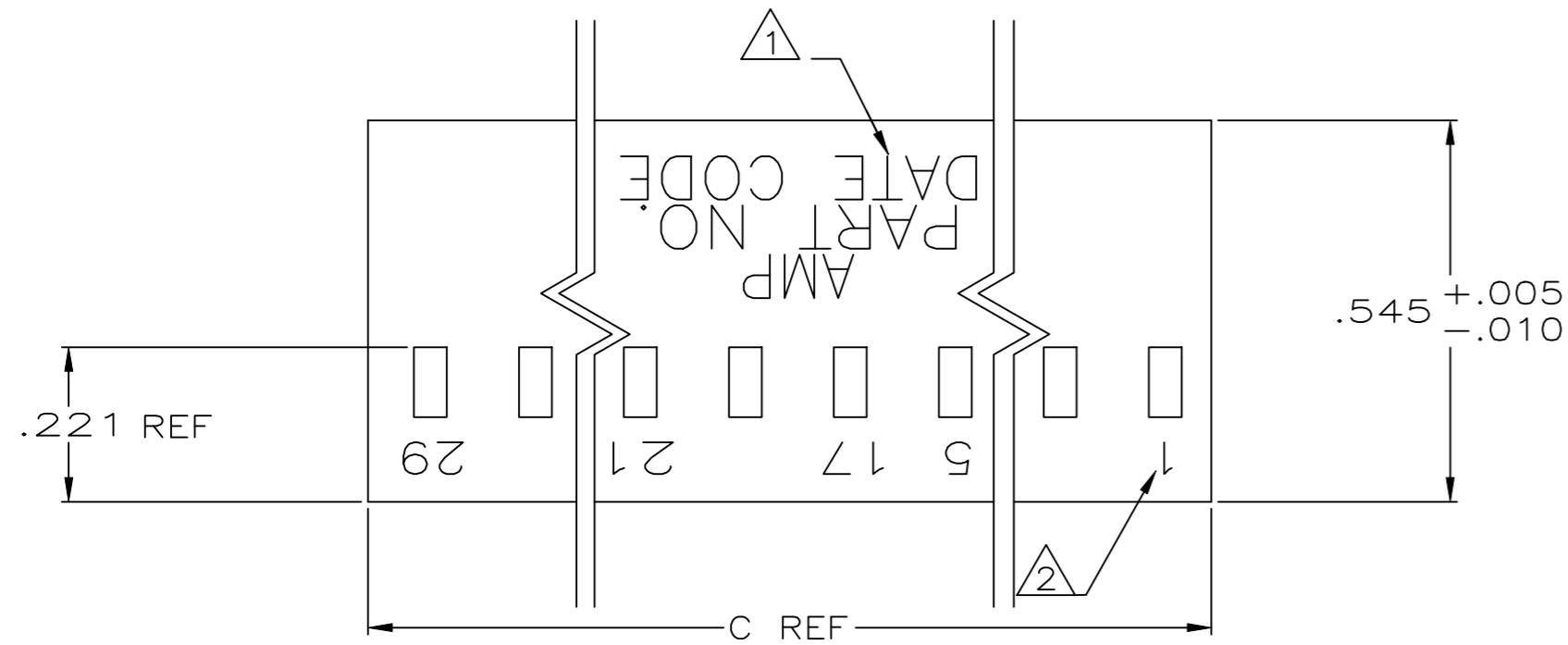


THIS DRAWING IS UNPUBLISHED. RELEASED FOR PUBLICATION
 © COPYRIGHT - TE Connectivity Ltd. ALL RIGHTS RESERVED.

REVISIONS					
P	LTR	DESCRIPTION	DATE	DWN	APVD
Y		REV PER 0310-0206-97	6-20-97		BS
Z		REVISED PER ECO-18-000976	25MAY2018	RS	JO



1 'AMP', PART NO., AND DATE CODE MARKED IN APPROXIMATE AREA SHOWN, THIS SIDE, WHEN HOUSING SIZE PERMITS.

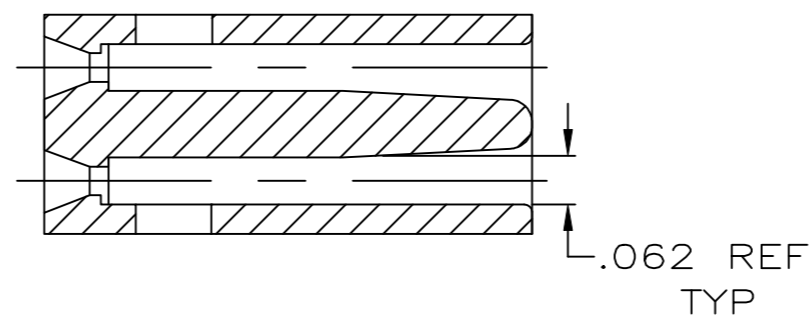
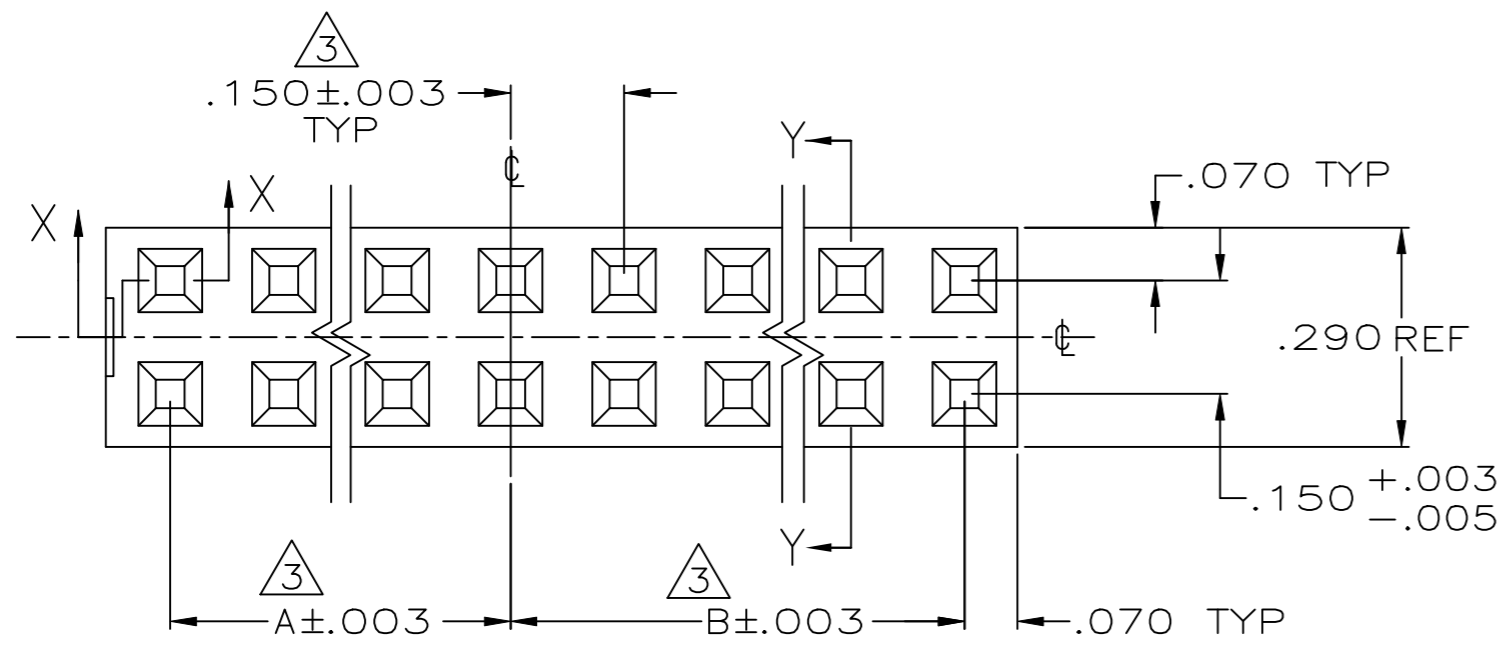
2 CAVITY IDENTIS MARKED EVERY OTHER CAVITY (AS SHOWN ON MARKING DETAIL).

3 TOLERANCE NON-CUMULATIVE.

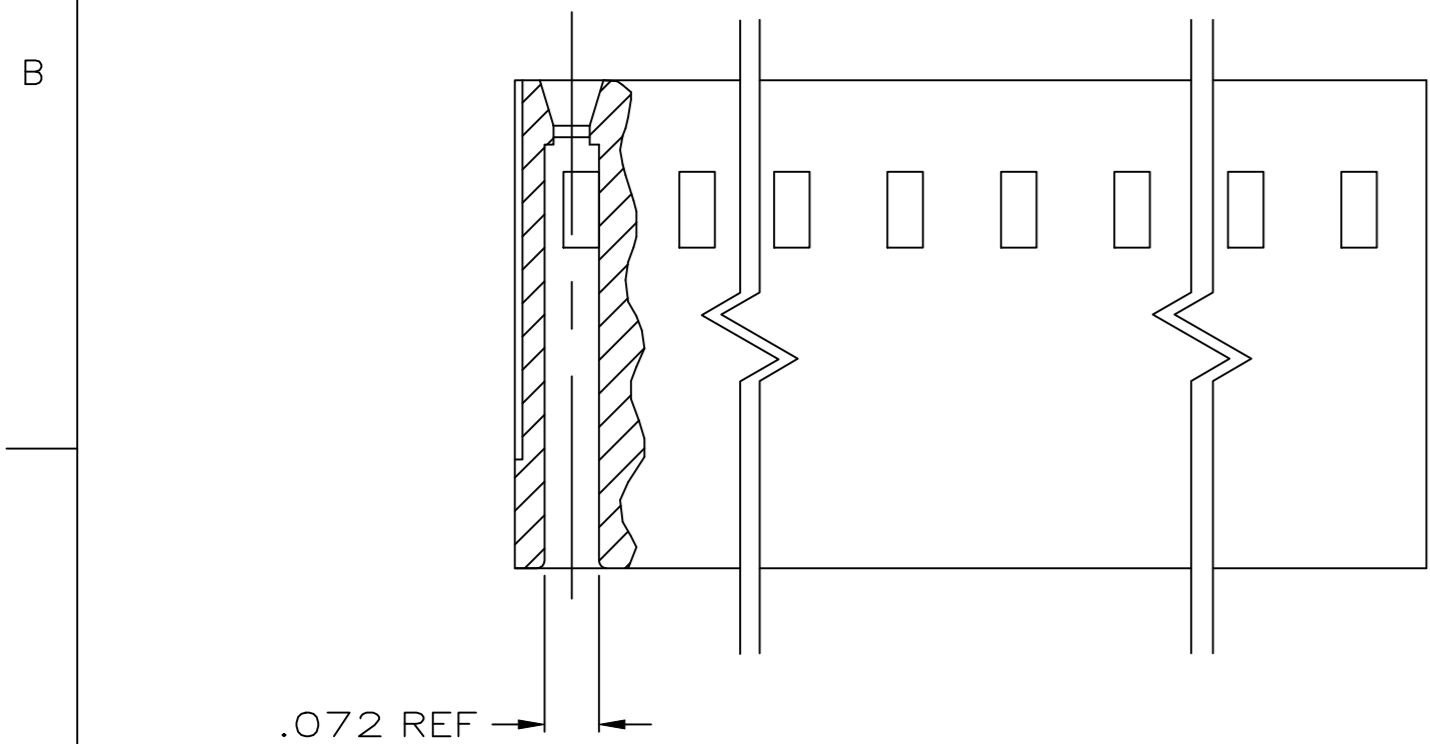
4. USE EXTRACTION TOOL 91052-1 TO REMOVE RECEPTACLE CONTACTS.

5 SUPERSEDED BY 86263-4.

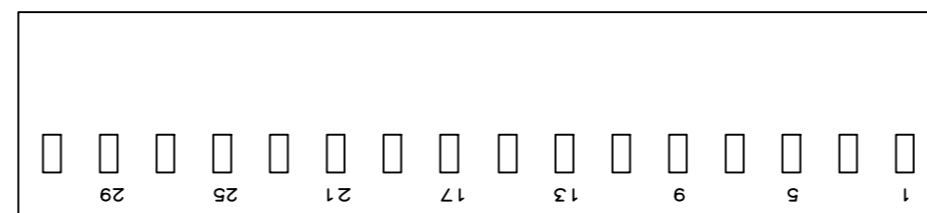
6 SUPERSEDED BY 2-86263-3.



SECT Y-Y



SECT X-X



MARKING DETAIL

OBSOLETE	4.640	2.250	2.250	62	2-86262-7
OBSOLETE	4.190	1.950	2.100	56	2-86262-6
OBSOLETE	4.790	2.250	2.400	64	2-86262-5
OBSOLETE	6.290	3.000	3.150	84	2-86262-4
OBSOLETE	3.740	1.800	1.800	50	2-86262-3
OBSOLETE	6.740	3.300	3.300	90	2-86262-2
OBSOLETE	.590	.150	.300	8	2-86262-0
OBSOLETE	.440	.150	.150	6	1-86262-9
OBSOLETE	.290	-	.150	4	1-86262-8
OBSOLETE	2.990	1.350	1.500	40	1-86262-6
OBSOLETE	2.390	1.050	1.200	32	1-86262-2
OBSOLETE	2.240	1.050	1.050	30	1-86262-1
OBSOLETE	2.090	.900	1.050	28	1-86262-0
OBSOLETE	1.940	.900	.900	26	86262-9
OBSOLETE	1.640	.750	.750	22	86262-7
OBSOLETE	1.490	.600	.750	20	86262-6
	1.340	.600	.600	18	86262-5
OBSOLETE	1.190	.450	.600	16	86262-4
OBSOLETE	1.040	.450	.450	14	86262-3
OBSOLETE	.890	.300	.450	12	86262-2
OBSOLETE	.740	.300	.300	10	86262-1

C	B	A	NO. OF POS.	PART NUMBER

THIS DRAWING IS A CONTROLLED DOCUMENT.

DWN: BOB BOLES 9-12-89
 CHK: J. GESFORD 10-23-89
 APVD: J. GESFORD 10-23-89

TE Connectivity Ltd.

NAME: HOUSING CONNECTOR, CRIMP SNAP-IN, MOD IV, DOUBLE ROW, .150X.150 CENTERS

SIZE: A2 CAGE CODE: 00779 DRAWING NO: C=86262 RESTRICTED TO: -

MATERIAL: FLAME RETARDANT THERMOPLASTIC COLOR-BLACK FINISH: -

CUSTOMER DRAWING SCALE: 4:1 SHEET: 1 of 1 REV: Z