

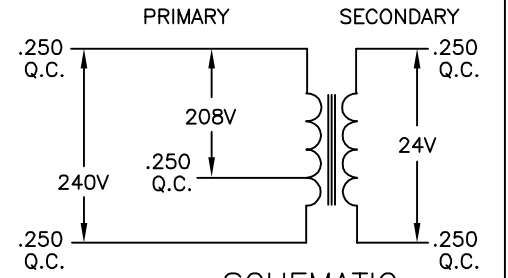
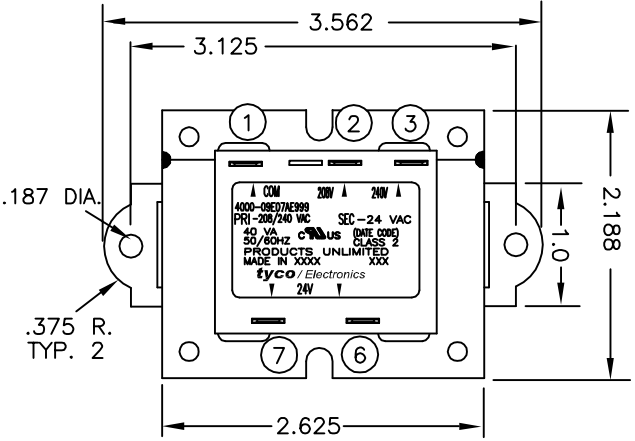
THIS DRAWING IS UNPUBLISHED. RELEASED FOR PUBLICATION
 © COPYRIGHT BY TYCO ELECTRONICS CORPORATION. ALL RIGHTS RESERVED.

LOC	DIST	REVISONS		
GZ	00	P	LTR	DESCRIPTION
		B		EC 0611-0255-03
			DATE	DWN
			30MAY03	MD
				APVD
				KH

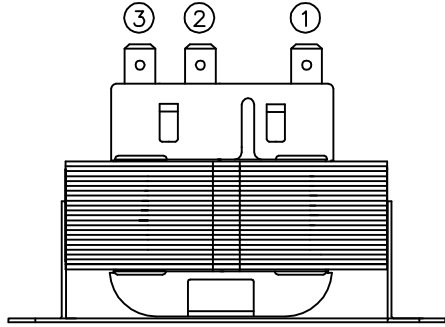
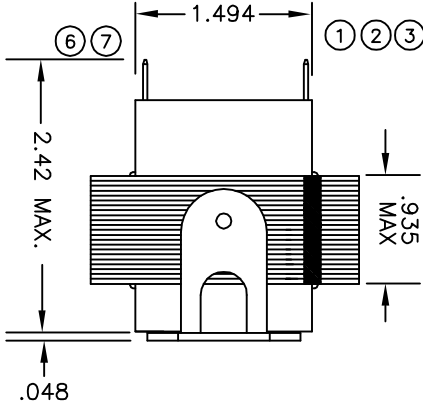
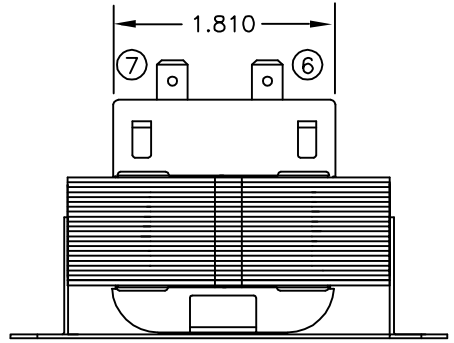
PRIMARY				SECONDARY	
TERM NO.	1	2	3	TERM NO.	6
VOLTAGE	COM	208	240	VOLTAGE	24
TERMINAL WIDTH	.250	.250	.250	TERMINAL WIDTH	.250
TERMINAL THICKNESS	.032	.032	.032	TERMINAL THICKNESS	.032

- NOTES
1. DIMENSIONS FOR REFERENCE ONLY.
 2. WINDING PROTECTION—INHERENTLY LIMITING

CERTIFICATION: UL,CUL FILE NO. E87824



ALL Q.C. .250 X .032



TYCO PART NUMBER
9-1611454-6

THIS DRAWING IS A CONTROLLED DOCUMENT.		DWN	12FEB1997	Tyco Electronics Corporation	
		CHK	K.H.	Harrisburg, PA 17105-3608	
DIMENSIONS: INCHES		APVD	-	NAME	
TOLERANCES UNLESS OTHERWISE SPECIFIED:		PRODUCT SPEC	-	TRANSFORMER OUTLINE	
0 PLC ± -		APPLICATION SPEC	-	P.U. STOCK	
1 PLC ± -		WEIGHT	-	SIZE	A3
2 PLC ± -		CAGE CODE	00779	DRAWING NO	C-4000-09E07AE999
3 PLC ± -		RESTRICTED TO	-	SCALE	NTS
4 PLC ± -		SHEET	1	OF	1
ANGLES ± -		REV	B		
MATERIAL		CUSTOMER DRAWING			
FINISH					