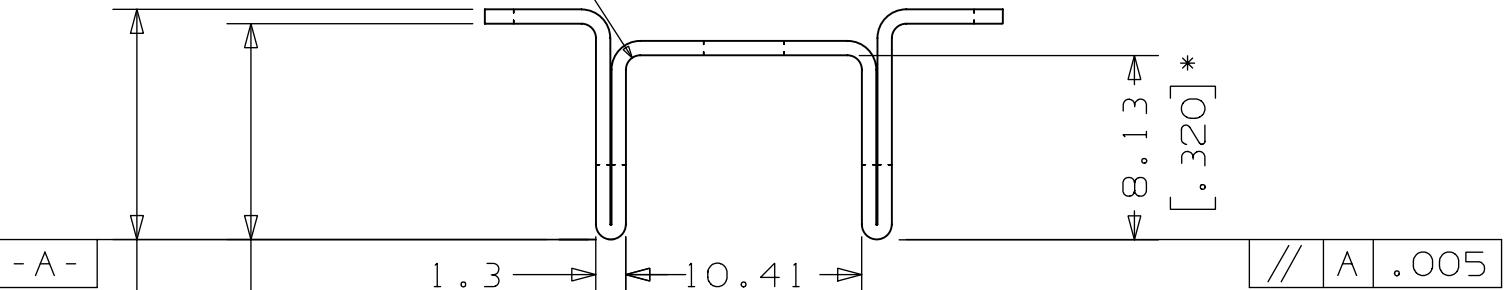
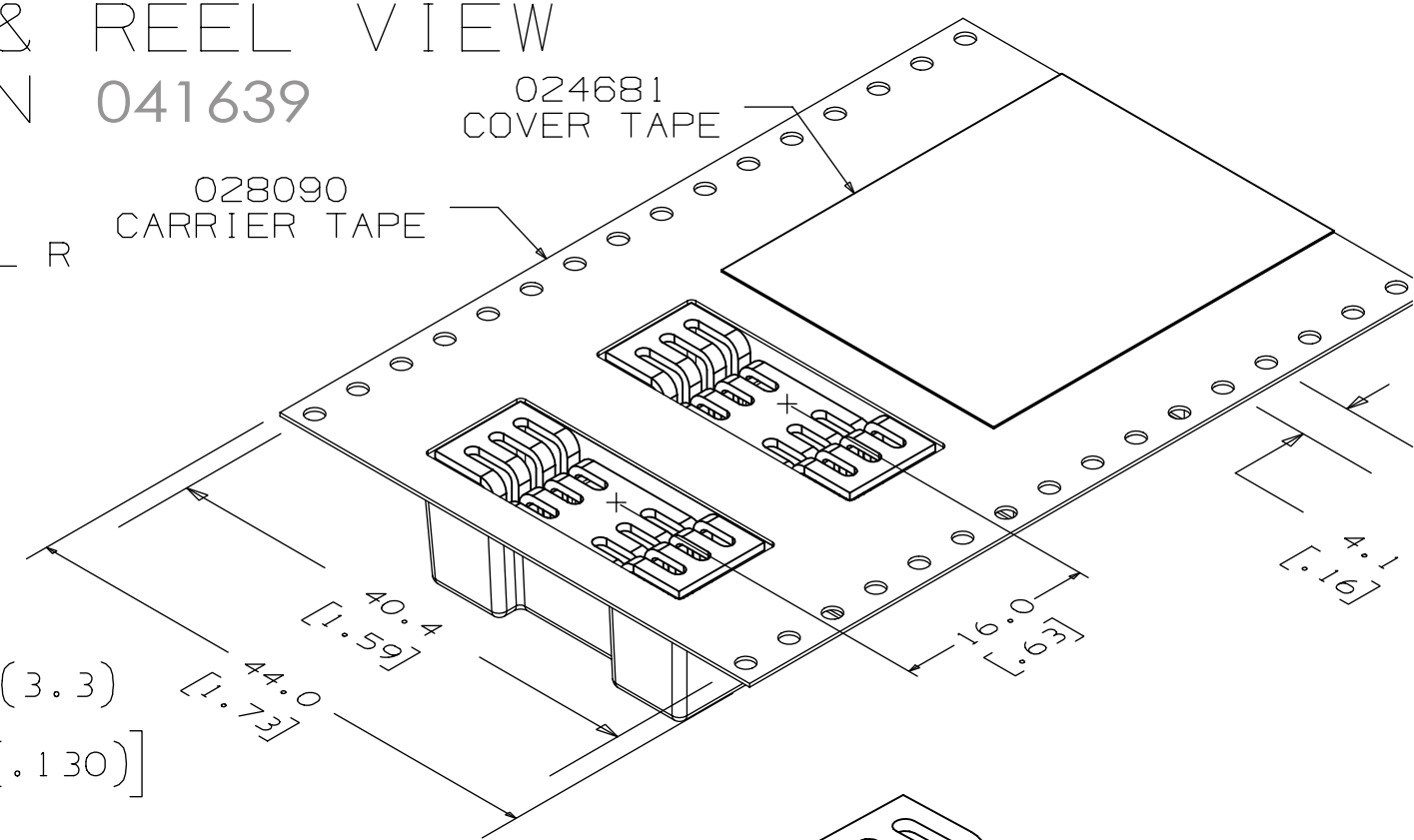
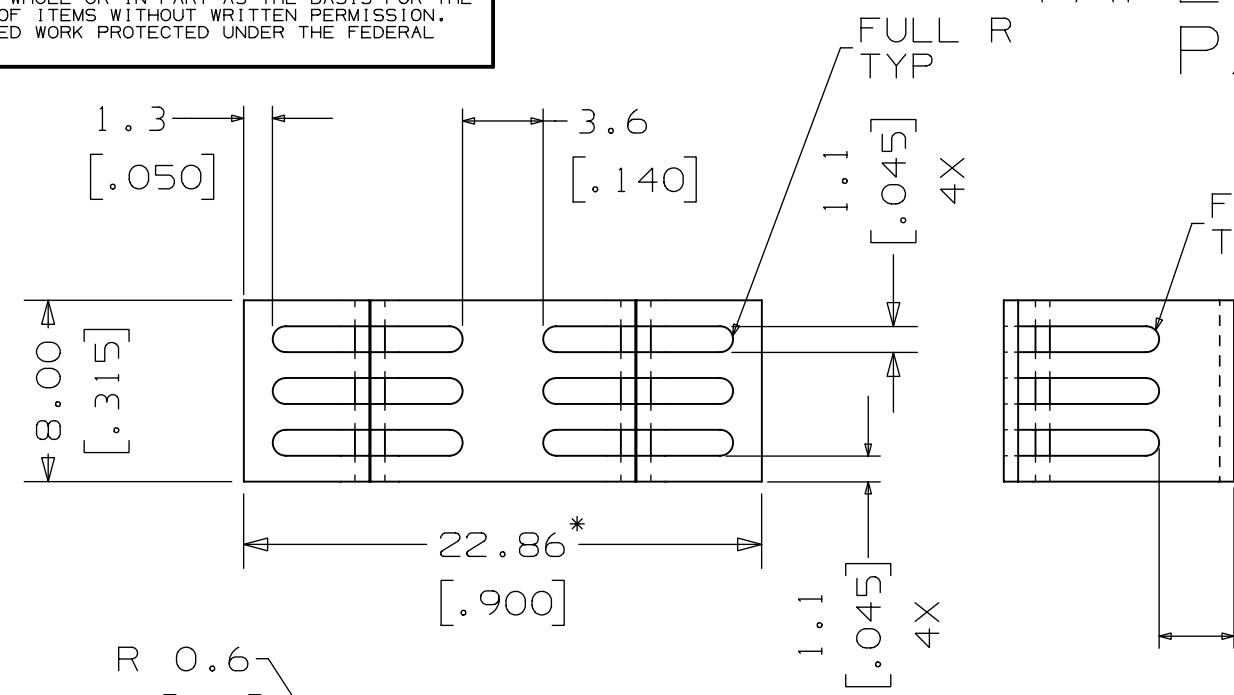


THIS DRAWING AND THE SPECIFICATIONS CONTAINED HEREIN ARE CONFIDENTIAL AND PROPRIETARY. THEY ARE THE PROPERTY OF AAVID THERMAL TECHNOLOGIES INC. AND SHALL NOT BE REPRODUCED OR COPIED OR USED IN WHOLE OR IN PART AS THE BASIS FOR THE MANUFACTURE OR SALE OF ITEMS WITHOUT WRITTEN PERMISSION. THIS IS AN UNPUBLISHED WORK PROTECTED UNDER THE FEDERAL COPYRIGHT LAWS, 1995

TAPE & REEL VIEW
P/N 041639



ROHS COMPLIANT
PER AAVID SPEC: ROHS - 9000

NOTES:

1. FINISH PER AAVID SPEC OV-002, TABLE 1, ITEM 12 (MATTE FINISH).
2. (*) CRITICAL DIMENSION, REQUIRES SPC

A	5/5/05	RELEASED PER ECN# 017357	MIKEL
REV.	DATE	DESCRIPTION	CHK'D



FINISH	SEE NOTE 1
U/O	
MAT'L	027425
TOLERANCE	UNLESS NOTED

DRAWING NO.		041638		
STANDARD DESCRIPTION				
STD,573100D00000G				

041638	STD,573100D00000G	PACK IN BULK
041639	STD,573100D00010G	PACK ON TAPE & REEL
PART #	DESCRIPTION	PACKAGING

.XX± [.015]	.38
.XXX± [.010]	.254
ANGULAR± 3°	

DATE	DRAWN	CHK'D	APP'D	SCALE
01/28/97	RRG			3 TO 1
SHEET				