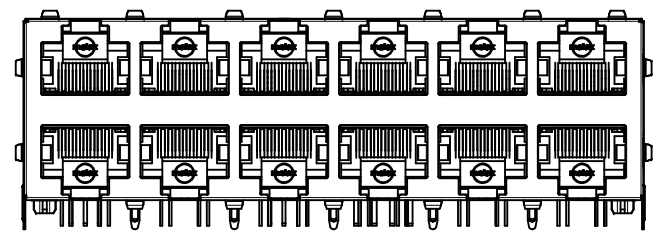
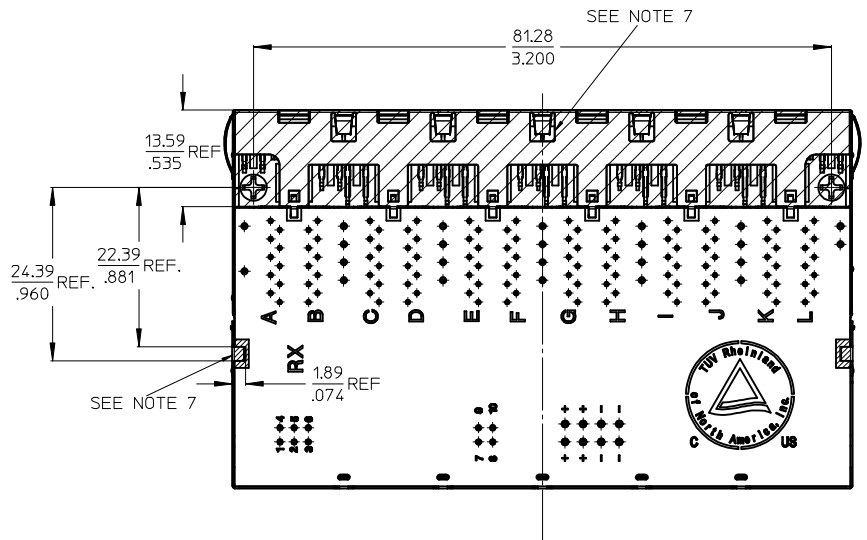


FRONT VIEW HYPERJACK 1000 POE+ ICM NON LED VERSION P/N 85719-0003



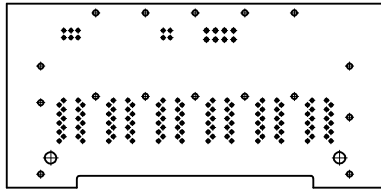
P / N	VERSION
85719-0101	LED VERSION
85719-0003	NON LED VERSION

- NOTES:
- SHIELD MATERIAL: BRASS, PLATING: NICKEL PRE-PLATING
 - PLASTIC MATERIAL: POLYESTER (PBT), BLACK, UL94V-0
 - TERMINALS MATERIAL: COPPER ALLOY
RJ45 CONTACT PLATING: 0.76 MICROMETER GOLD OVER 1.9 MICROMETER NICKEL
SOLDER TERMINALS: 3 MICROMETER TIN
 - JACK TO BE MATED WITH FCC 68.5 PLUGS / IEC 60603-7 PLUGS
 - PRODUCT SPECIFICATION: RPS-85719-001
 - PACKAGING SPECIFICATION: PK-85719-101
 - TRACES WITHOUT INSULATION NOT ALLOWED IN THE DASHED AREAS.
(TO AVOID SHORTS TO SHIELD)
 - STAND OFF TO SYSTEM BOARD



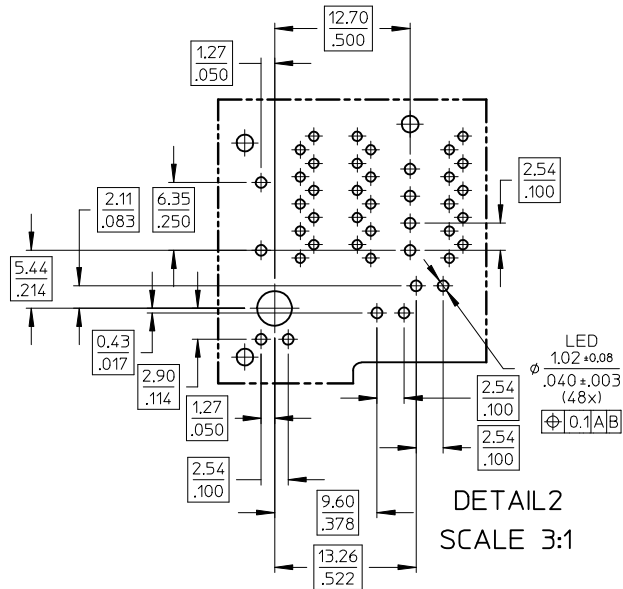
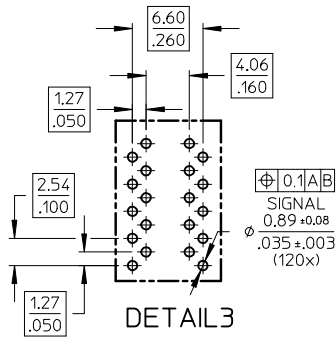
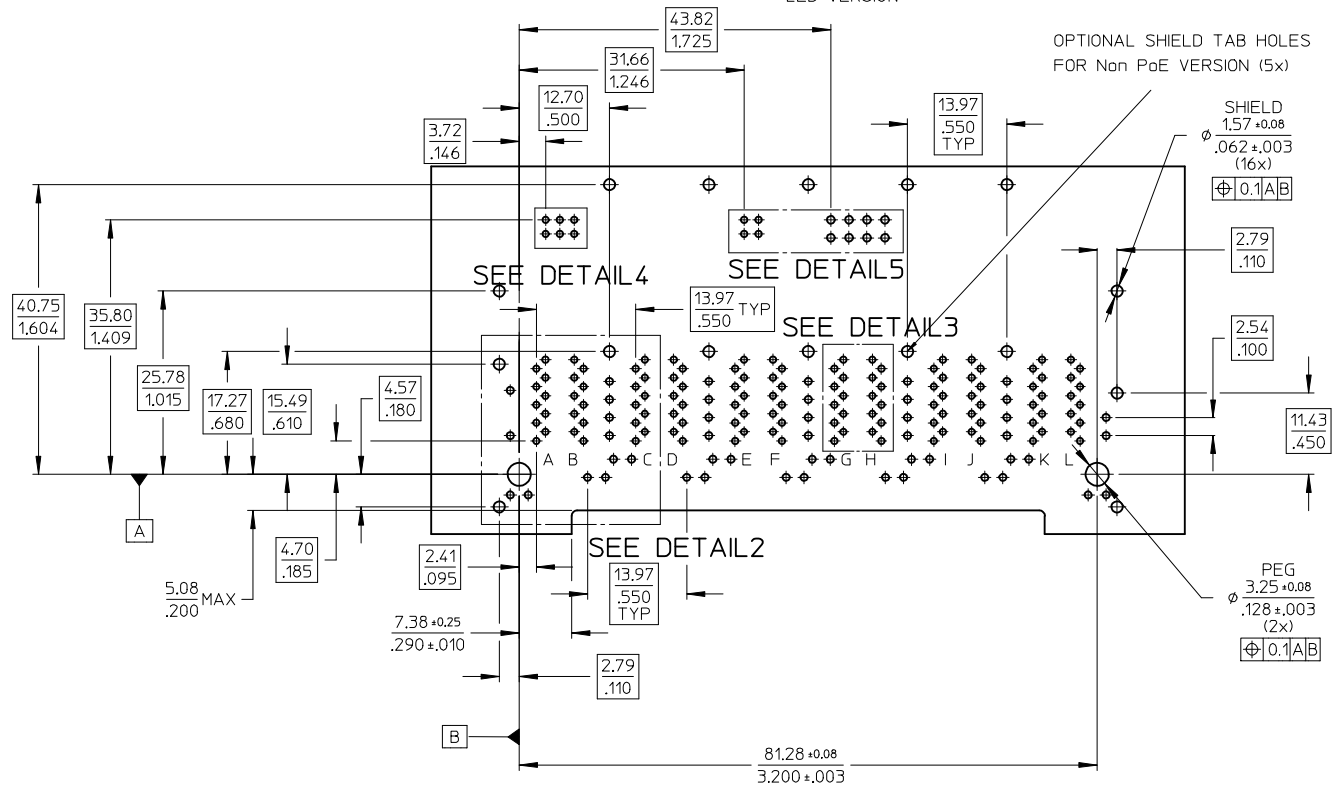
REV	DESCRIPTION	QUALITY SYMBOLS	GENERAL TOLERANCES (UNLESS SPECIFIED)		DIMENSION STYLE		SCALE	DESIGN UNITS	THIRD ANGLE PROJECTION	
			mm	INCH	MM/IN	2:1	METRIC			
B	ENTER DESCRIPTION EC NO: IFC2013-0536 DRWN: JBADER 2014/01/23 CHKD: MMANGARUDOV 2014/01/23 APPR: SSTEINKE 2014/12/04	▽=0 ▽=0	4 PLACES ± .005	± .01	DRAWN BY JBADER	DATE 2009/03/11	TITLE HYPERJACK 1000 POE+ PSE ICM 2X6			
			3 PLACES ± .025	± .02	CHECKED BY MMANGARUDOV	DATE 2009/03/11				
			2 PLACES ± 0.5	± .05	APPROVED BY SSTEINKE	DATE 2009/03/11				
			1 PLACE ± 0.5	± .05	MATERIAL NO.					
			ANGULAR ± 1°		SEE BOM					
			DRAFT WHERE APPLICABLE MUST REMAIN WITHIN DIMENSIONS		SIZE A 2					
					THIS DRAWING CONTAINS INFORMATION THAT IS PROPRIETARY TO MOLEX INCORPORATED AND SHOULD NOT BE USED WITHOUT WRITTEN PERMISSION					
					MOLEX INCORPORATED					
					DOCUMENT NO. SD-85719-101					
					SHEET NO. 1 OF 3					

FOOT PRINT OUT FOR NON LED VERSION (85719-0003)
MISSING DIMENSIONS SEE LED VERSION

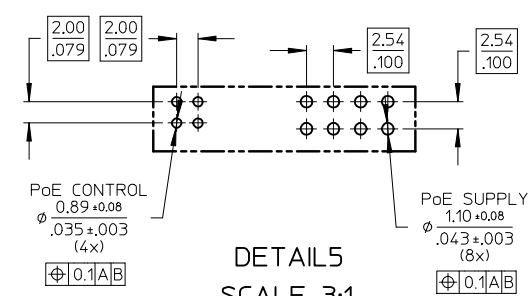
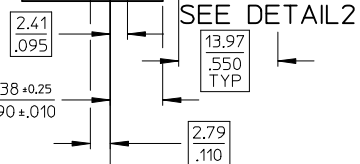


SCALE 1:1

FOOT PRINT OUT FOR
LED VERSION



5.08
.200 MAX

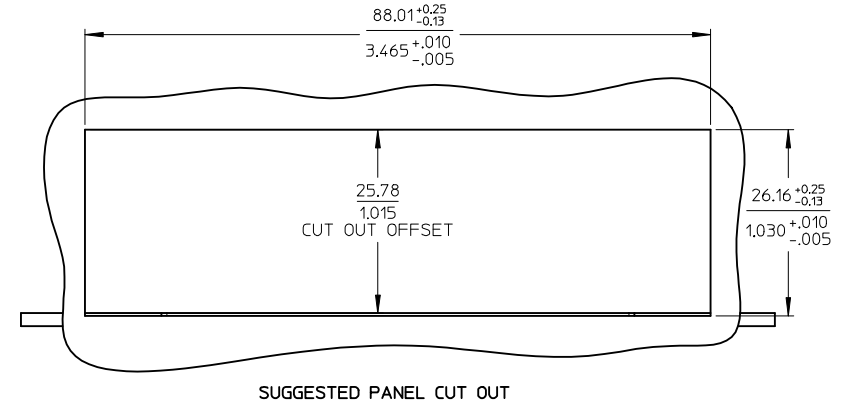
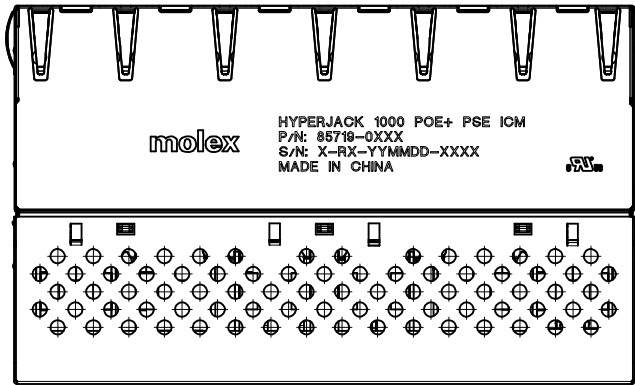


ENTER DESCRIPTION EC NO: IPG2013-0536 DRWN: JBADER 2014/01/23 CHKD: MMANGARUOV 2014/01/23 APPR: SSTEINKE 2014/12/04	QUALITY SYMBOLS ▽=0 ▽=0	GENERAL TOLERANCES (UNLESS SPECIFIED) 4 PLACES ± --- ± --- 3 PLACES ± --- ± .01 2 PLACES ± .25 ± .02 1 PLACE ± 0.5 ± --- ANGULAR ± 1 °	DIMENSION STYLE MM/IN	SCALE 2:1	DESIGN UNITS METRIC	THIRD ANGLE PROJECTION	DRAWN BY JBADER 2009/03/11	DATE 2009/03/11	TITLE HYPERJACK 1000 POE+ PSE ICM 2X6
DRAFT WHERE APPLICABLE MUST REMAIN WITHIN DIMENSIONS			MATERIAL NO. SEE SHEET 1		DOCUMENT NO. SD-85719-101		MOLEX INCORPORATED		
			SIZE A2		THIS DRAWING CONTAINS INFORMATION THAT IS PROPRIETARY TO MOLEX INCORPORATED AND SHOULD NOT BE USED WITHOUT WRITTEN PERMISSION			SHEET NO. 2 OF 3	

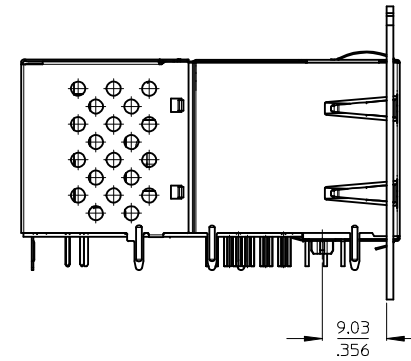
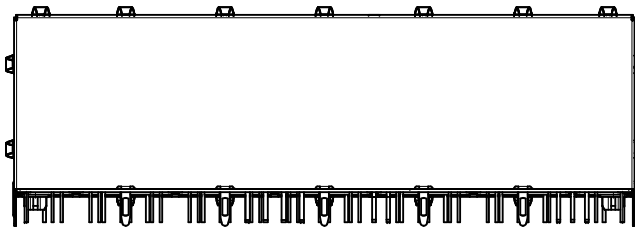
PRINTING
LED VERSION
HYPERJACK 1000 POE+ PSE ICM
P/N: 85718-0101
S/N: X-RX-YYMMDD-XXXX
MADE IN CHINA

PRINTING
NON LED VERSION
HYPERJACK 1000 POE+ PSE ICM
P/N: 85718-0003
S/N: X-RX-YYMMDD-XXXX
MADE IN CHINA

PRINTING



SUGGESTED PANEL CUT OUT



NOTES:

- 1 - PRINTING MARKED BY LASER
- 2 - INSCRIPTION:
 - 1st LINE: PART NAME
 - 2nd LINE: PART NUMBER
 - 3rd LINE: SERIES NUMBER -> MANUFACTURER ID - CONNECTOR REVISION - DATE CODE (YEAR, MONTH, DAY) - CONSECUTIVE NUMBER
 - 4th LINE: COUNTRY OF ORIGIN
- 3 - UL LOGO

ENTER DESCRIPTION EC NO: IPC2013-0536 DRWN: JBADER 2014/01/23 CHKD: MMANGARUDOV 2014/01/23 APPR: SSTE INKE 2014/12/04	QUALITY SYMBOLS ▽=0 ▽=0	GENERAL TOLERANCES (UNLESS SPECIFIED)		DIMENSION STYLE MM/IN		SCALE 2:1	DESIGN UNITS METRIC	THIRD ANGLE PROJECTION	
		mm	INCH	DRAWN BY JBADER	DATE 2009/03/11	TITLE HYPERJACK 1000 POE+ PSE ICM 2X6			
REV B	DESCRIPTION	4 PLACES ± --- ± ---		CHECKED BY MMANGARUDOV	DATE 2009/03/11	MOLEX INCORPORATED DOCUMENT NO. SD-85719-101			
		3 PLACES ± --- ± .01		APPROVED BY SSTE INKE	DATE 2009/03/11				
		2 PLACES ± 0.25 ± .02		MATERIAL NO. SEE SHEET 1		SHEET NO. 3 OF 3			
		1 PLACE ± 0.5 ± ---		THIS DRAWING CONTAINS INFORMATION THAT IS PROPRIETARY TO MOLEX INCORPORATED AND SHOULD NOT BE USED WITHOUT WRITTEN PERMISSION					
		ANGULAR ± 1 °							
		DRAFT WHERE APPLICABLE MUST REMAIN WITHIN DIMENSIONS							