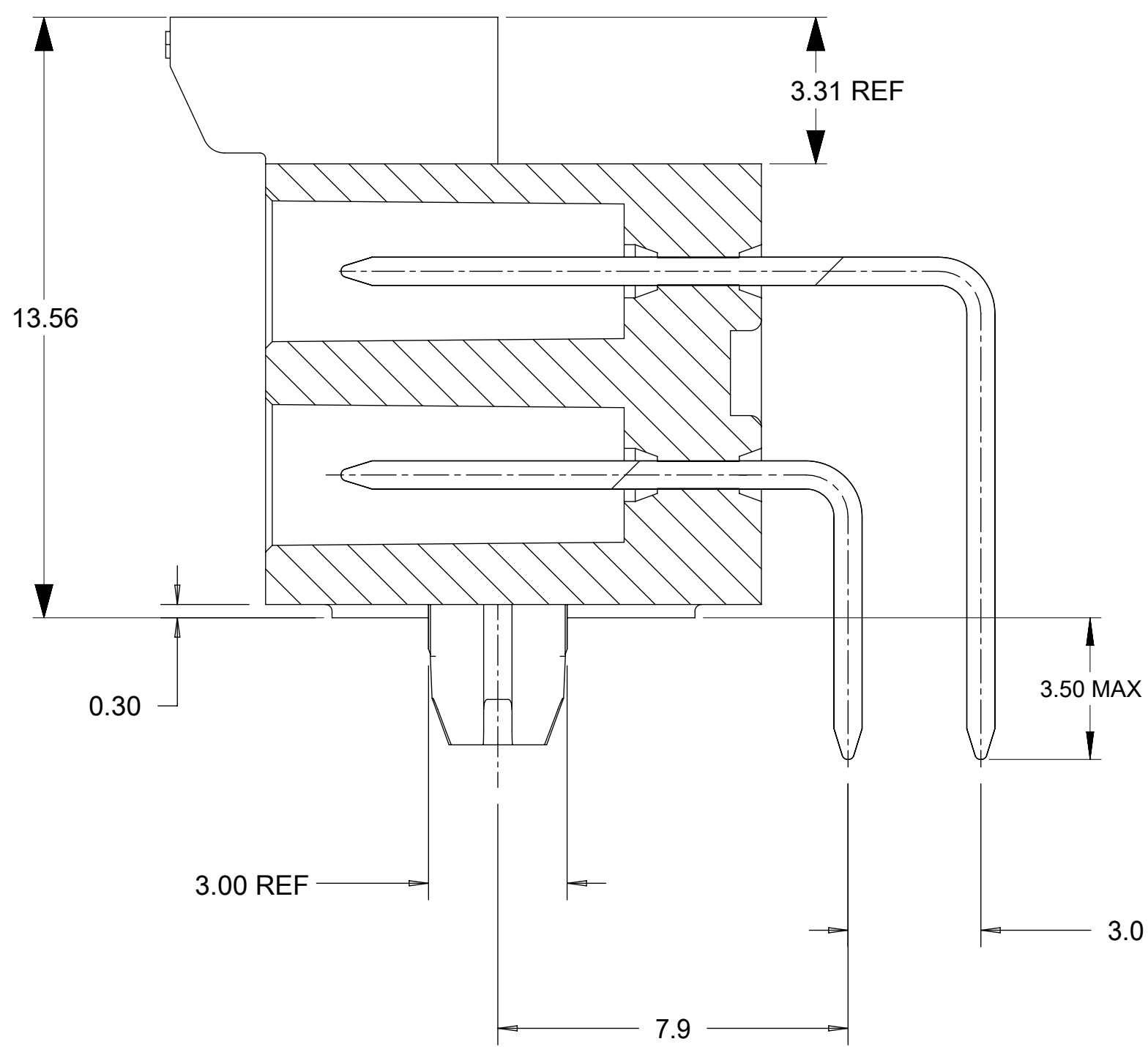
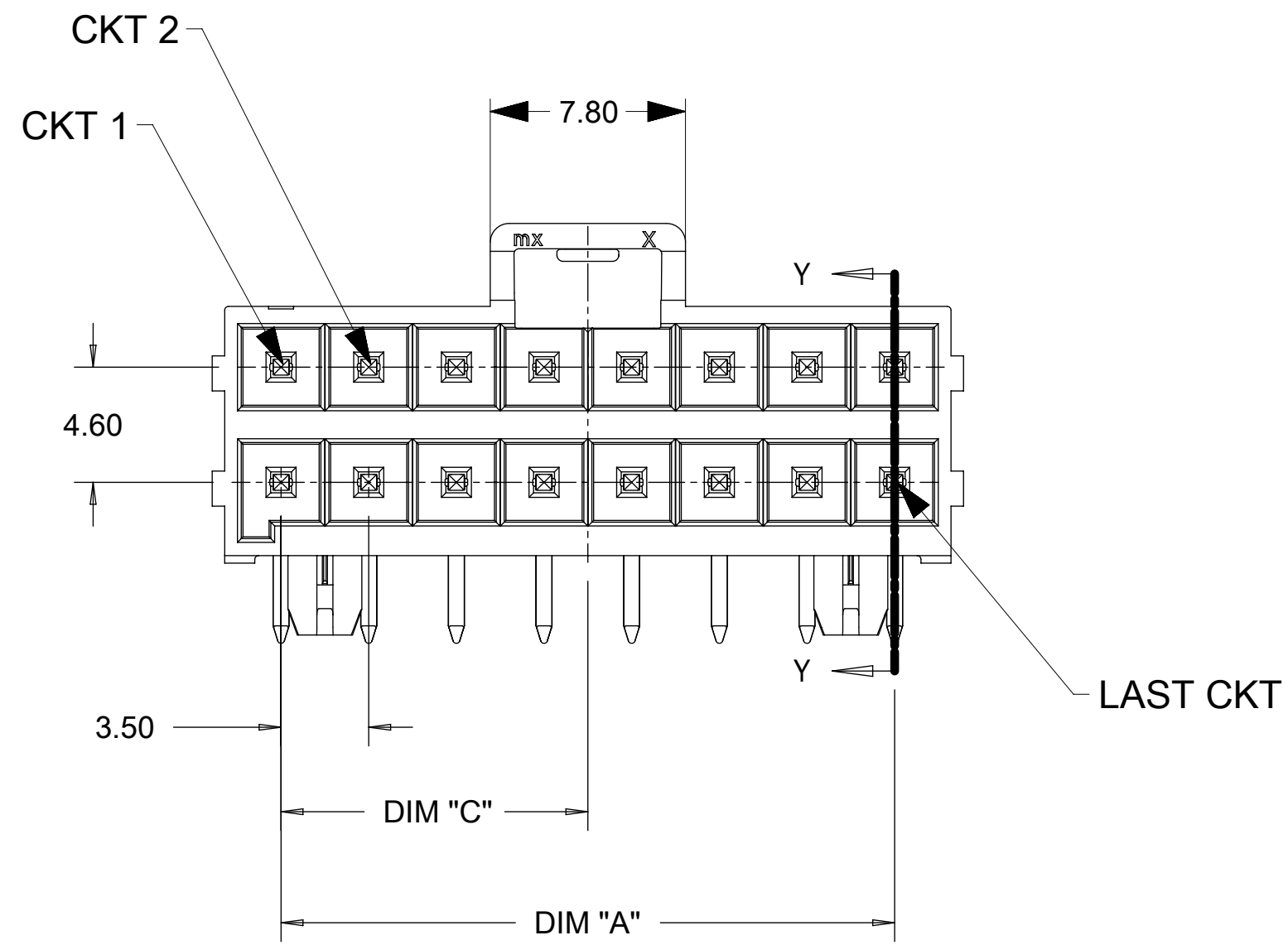
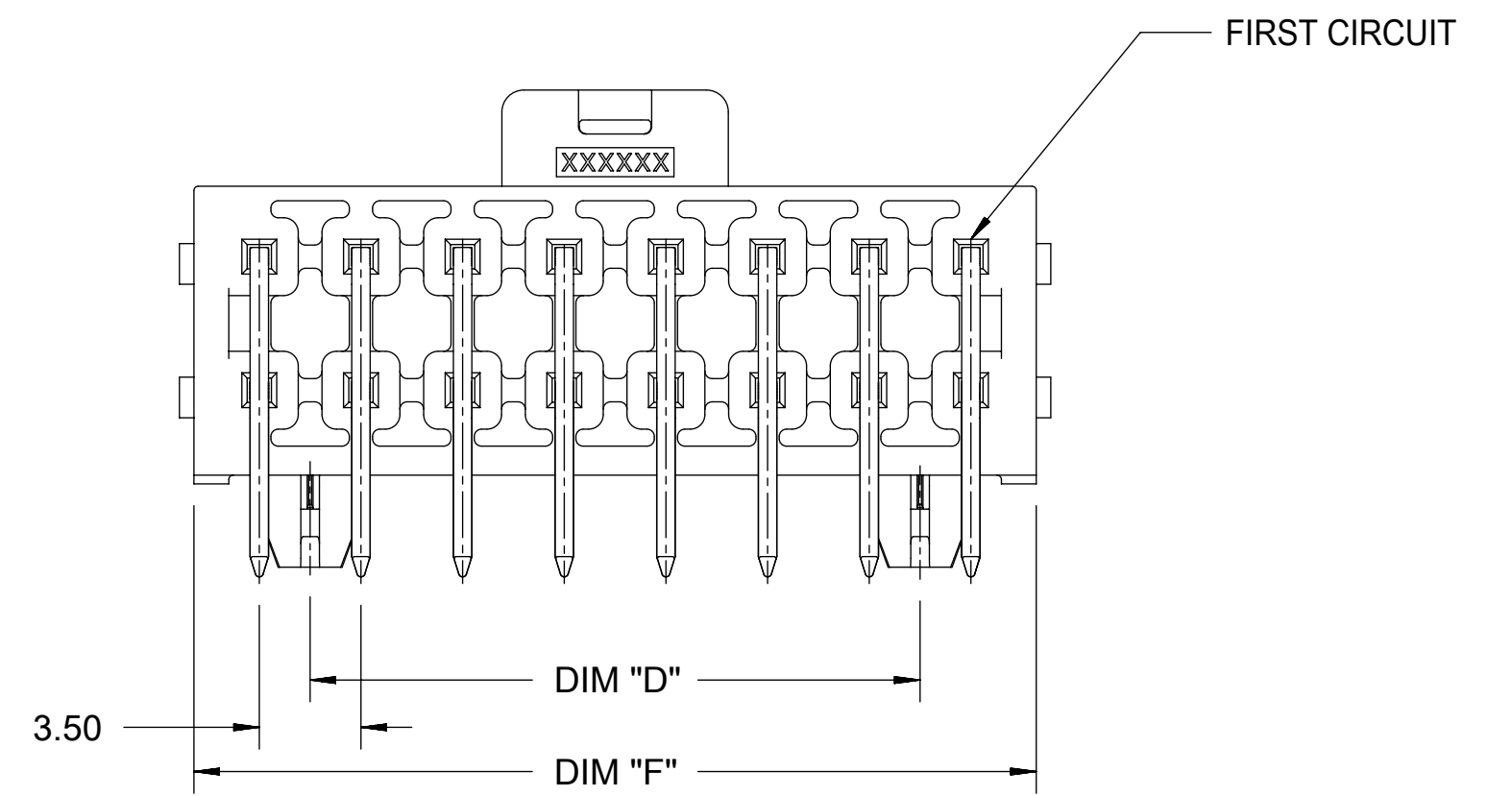


FIRST CIRCUIT MARK
(NOT SHOWING ON 4
AND 6 CIRCUITS SERIES)

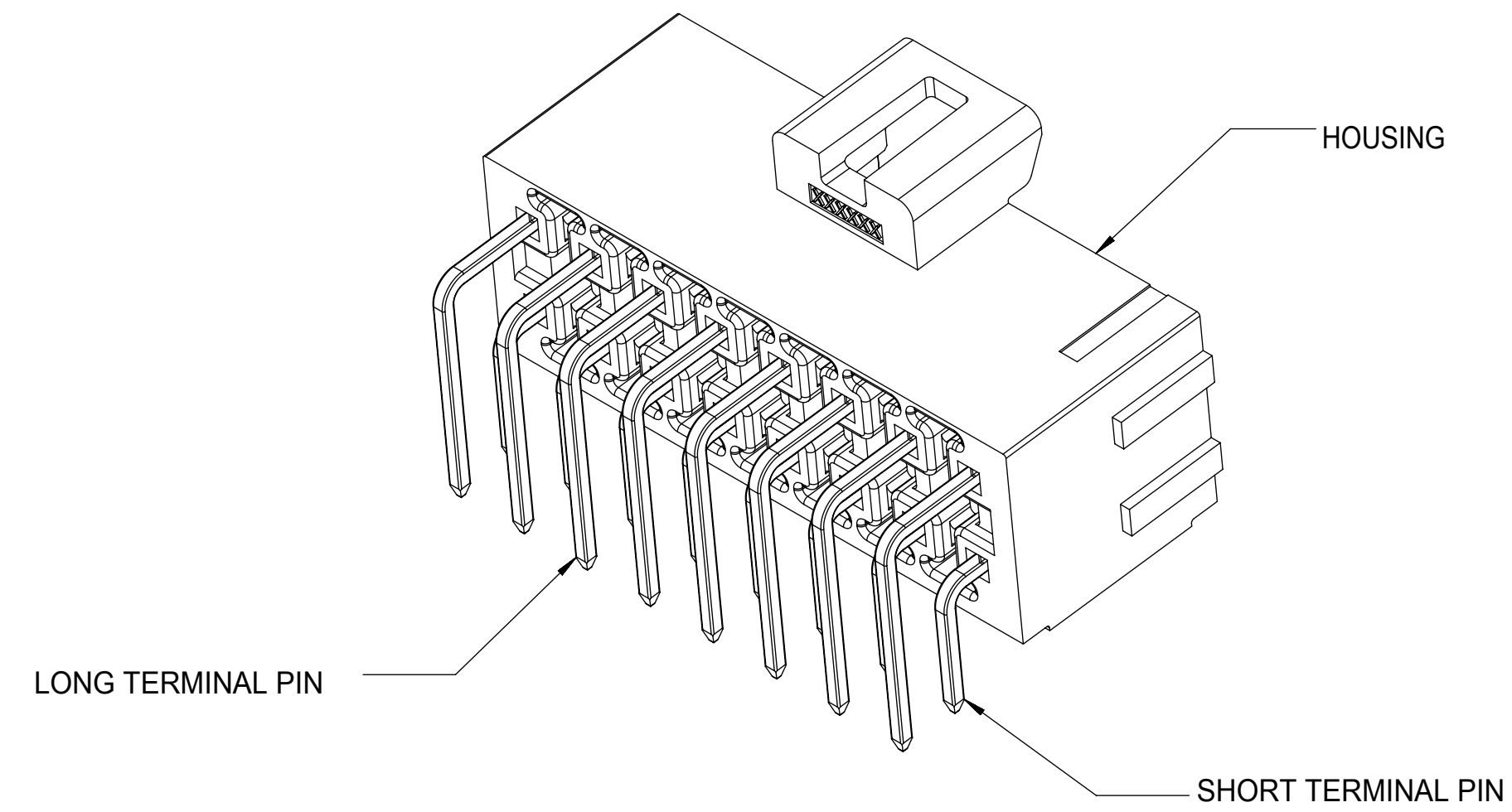
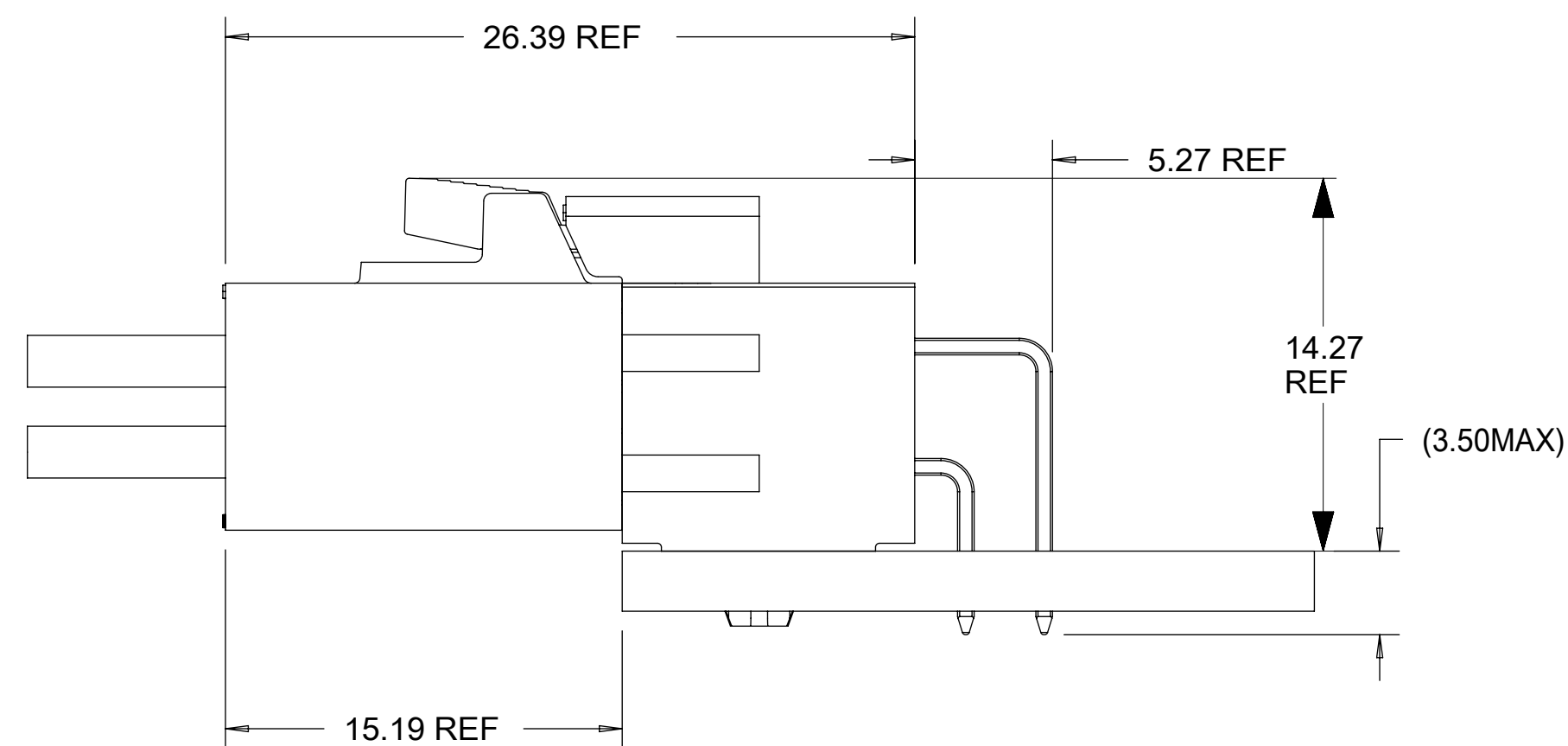


SECTION Y-Y
SCALE 8:1

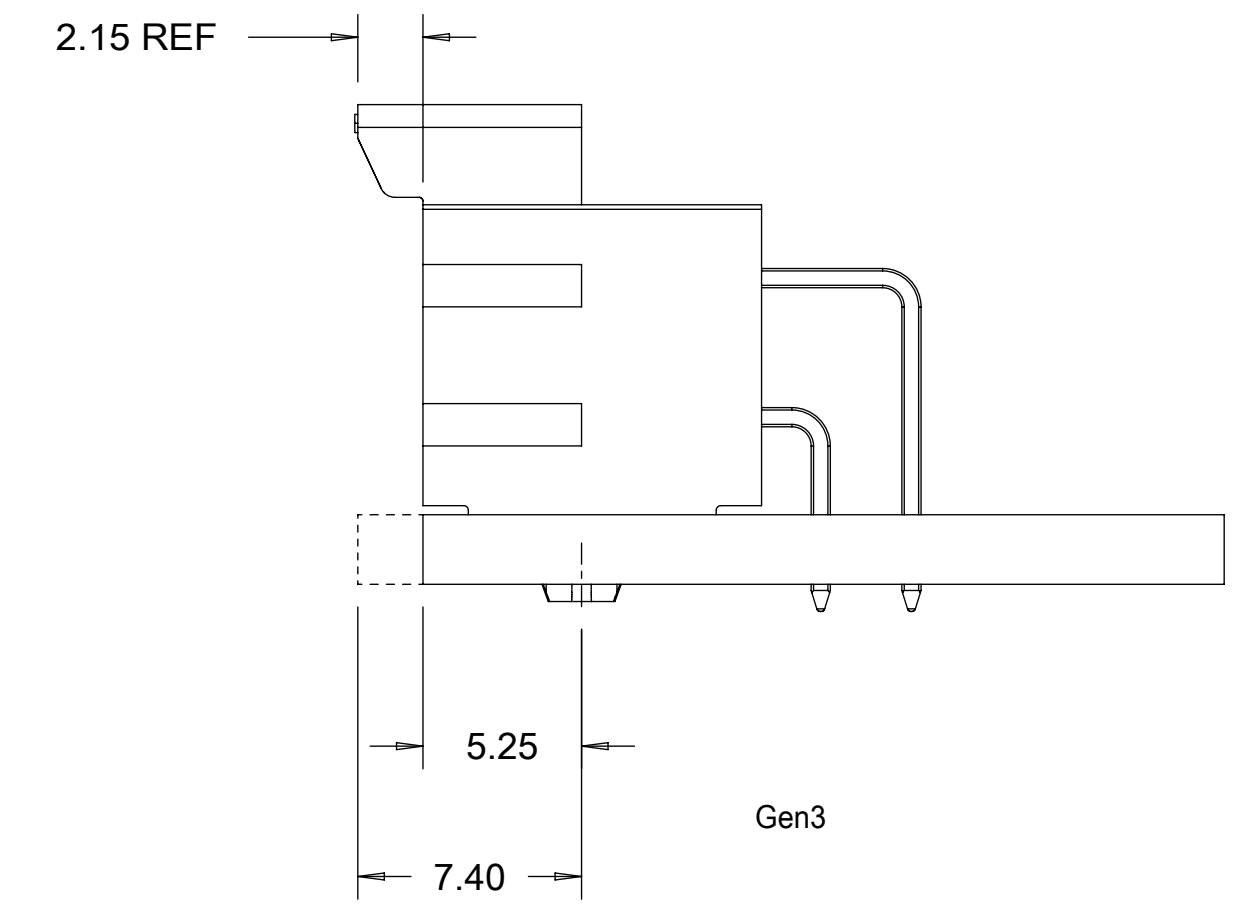
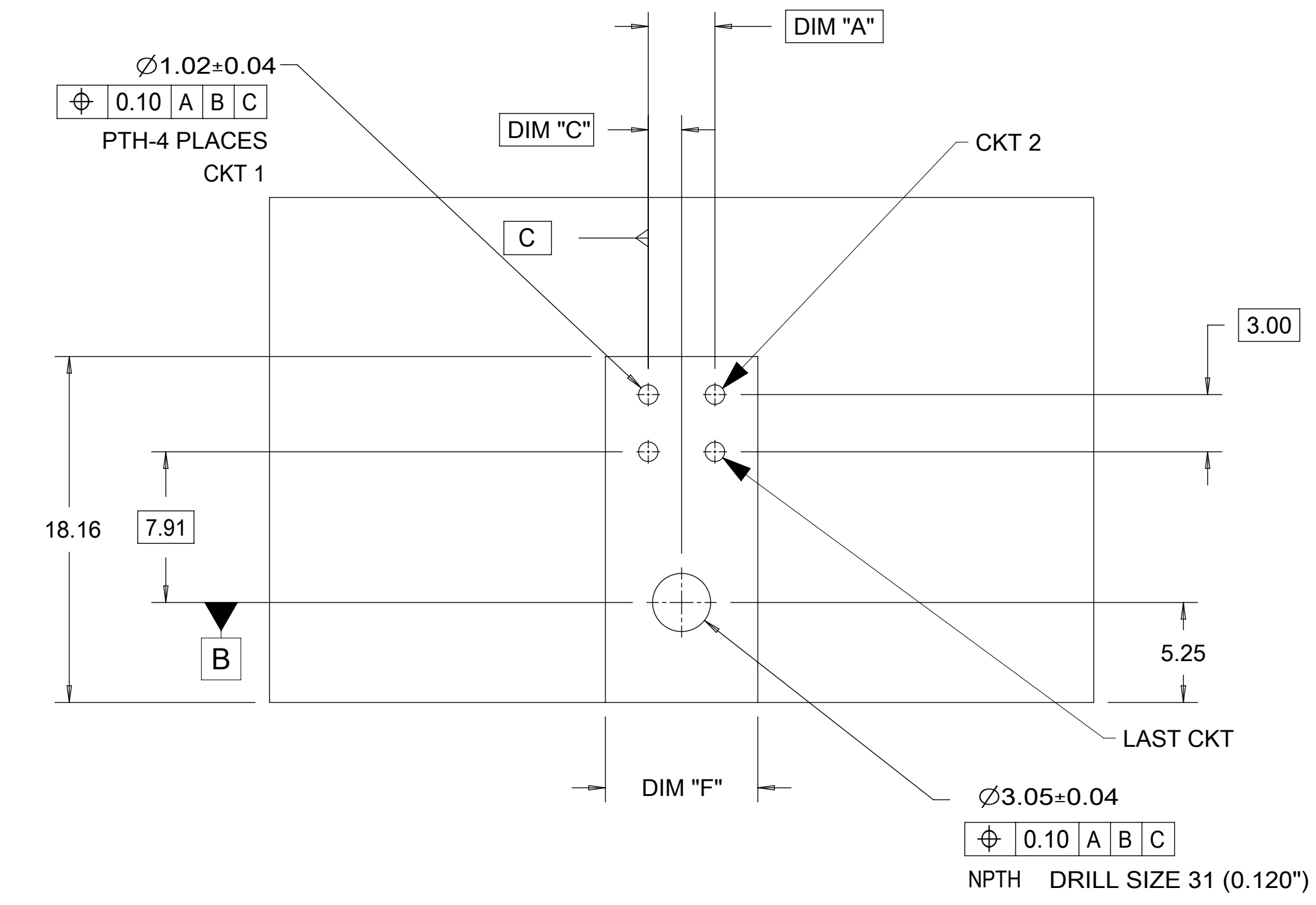
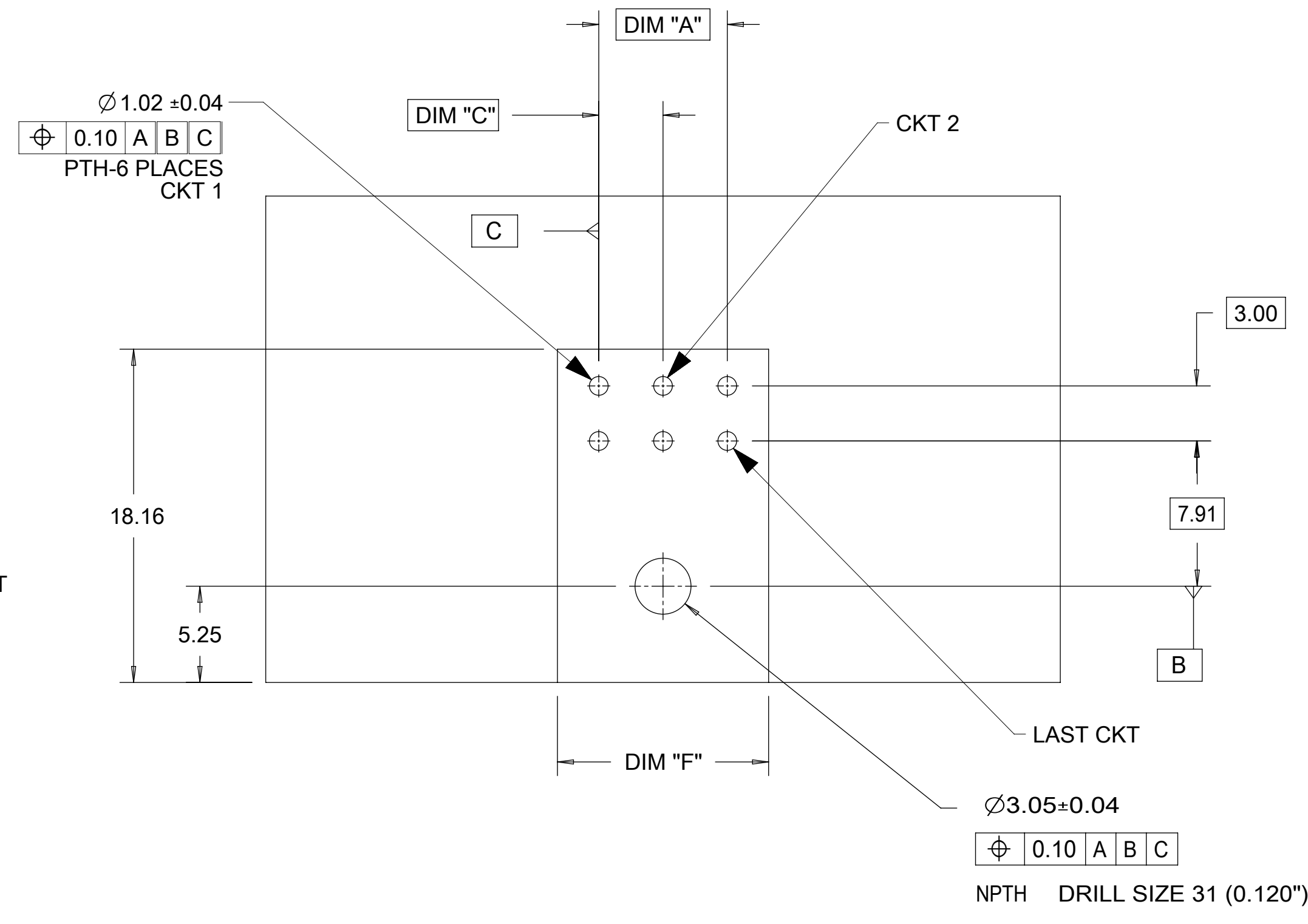
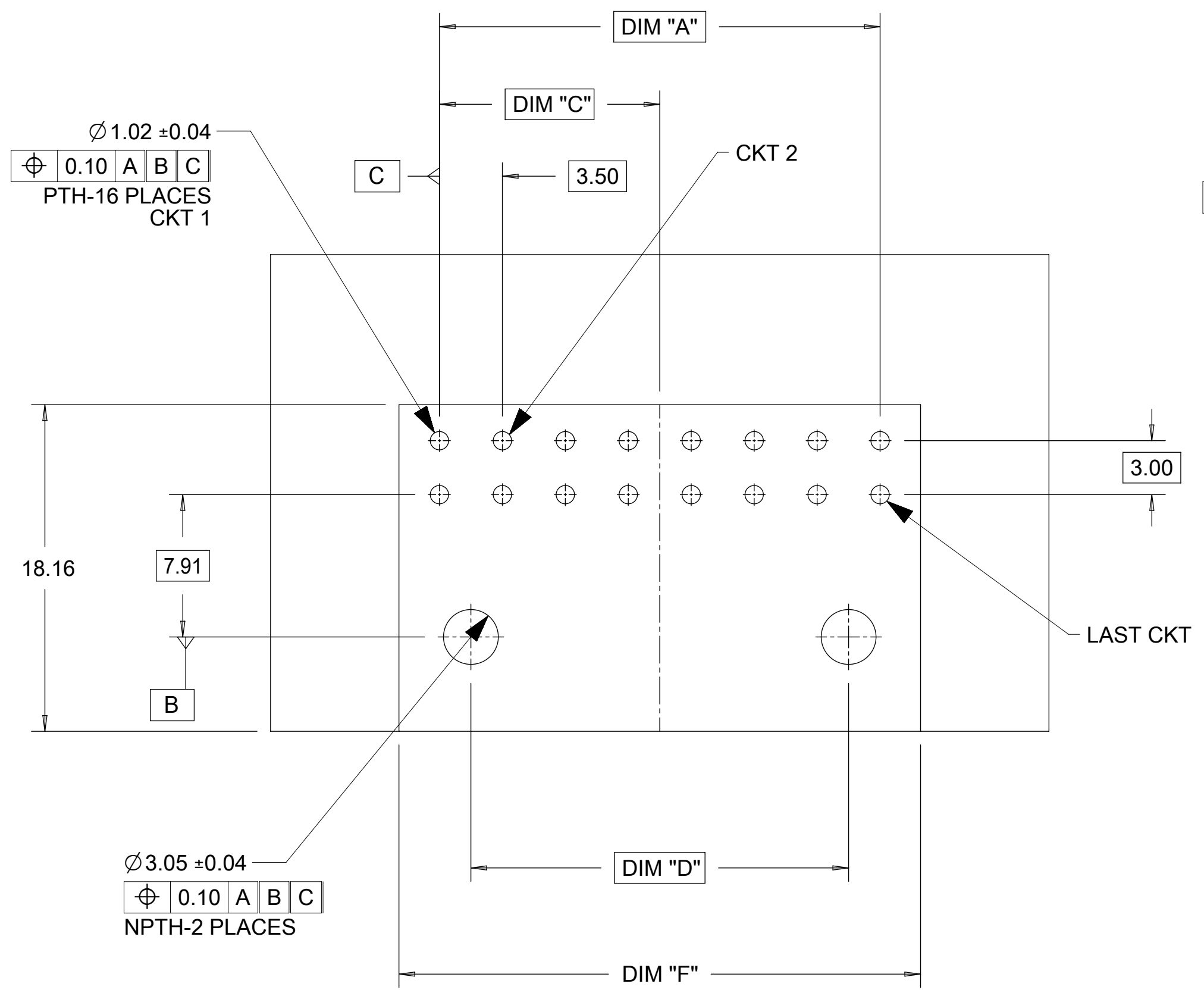


NOTES:

- MATERIAL :
HOUSING
OPTION 1: LCP BLACK, UL94 V-0
OPTION 2: LCP NATURAL, UL94 V-0
TERMINAL: COPPER ALLOY
- PLATING FINISH:
OPTION 1 - 1.5µm(60µin)-2.5µm(100µin) TIN OVER
1.25µm(50µin)-2.5µm(100µin) NICKEL OVERALL
OPTION 2 - 0.35µm(15µin) GOLD CONTACT AREA,
1.5µm(60µin)-2.5µm(100µin) TIN TAIL AREA OVER
1.25µm(50µin)-2.5µm(100µin) NICKEL OVERALL
OPTION 3 - 0.70µm(30µin) GOLD CONTACT AREA,
1.5µm(60µin)-2.5µm(100µin) TIN TAIL AREA OVER
1.25µm(50µin)-2.5µm(100µin) NICKEL OVERALL
- PARTS TO BE PACKAGED PER 1723161114-PK.
- PRODUCT SPECIFICATION PS-172323-0001
- PART MATES WITH MOLEX RECEPTACLE HOUSING
172258 AND 172262
- PART CONFORMS TO CLASS "C" REQUIREMENTS OF SPECIFICATION
PS-45499-002 WITH 0.13 MM MAXIMUM FLASH ALLOWED IN CORE
HOLES AND FRONT SURFACE.
- DISCOLORATION IN THE BANDOLIER AREA OF THE PIN IS
INHERENT TO THE PLATING PROCESS AND IS DUE TO THE MASKING
EFFECT OF THE CARRIER. THIS DISCOLORATION IS IN A NON-FUNCTIONAL
AREA OF THE PIN AND WILL NOT AFFECT THE PERFORMANCE OF THE
HEADER ASSEMBLY.
- ASSEMBLY SPECIFICATION: AS-172323-0001.



FUNCTIONAL SYMBOLS FA = 0 FC = 0 FD = 0	THIS DRAWING CONTAINS INFORMATION THAT IS PROPRIETARY TO MOLEX ELECTRONIC TECHNOLOGIES, LLC AND SHOULD NOT BE USED WITHOUT WRITTEN PERMISSION		CURRENT REV DESC:		<p>ULTRA-FIT R/A HEADER 4-16 CKTS DUAL ROW</p> <p>PRODUCT CUSTOMER DRAWING</p>
	DIMENSION UNITS	SCALE	EC NO: 694874		
	mm	1:1	DRWN: GLLI	2022/02/08	
	GENERAL TOLERANCES (UNLESS SPECIFIED)		CHK'D: XQZHANG	2022/02/14	
ANGULAR TOL ± °		APPR: XQZHANG	2022/02/14	DOCUMENT NUMBER	
4 PLACES ±		INITIAL REVISION:		SD-172316-1000	
3 PLACES ±		DRWN: DROSCA	2014/03/06	DOC TYPE	DOC PART
2 PLACES ± 0.25		APPR: JCOMERCI	2014/04/24	PSD	000
1 PLACE ± 0.5		DRAFT WHERE APPLICABLE MUST REMAIN WITHIN DIMENSIONS		REVISION	F5
0 PLACES ±		THIRD ANGLE PROJECTION	DRAWING	MATERIAL NUMBER	
DRAFT WHERE APPLICABLE MUST REMAIN WITHIN DIMENSIONS		THIRD ANGLE PROJECTION	DRAWING	CUSTOMER	
		⊕	D-SIZE	GENERAL MARKET	
			172316	SHEET NUMBER	
				1 OF 3	



OPTION 1: LATCH FLUSH WITH PCB EDGE
OPTION 2: HOUSING BODY FLUSH WITH PCB EDGE

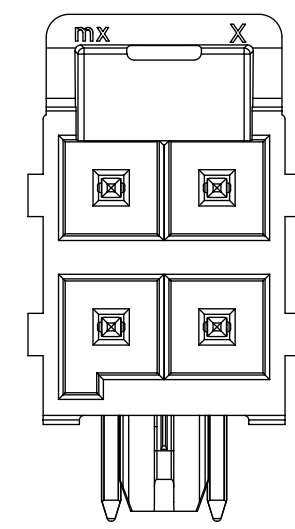
NOTE: DATUM -A- IS ON COMPONENT SIDE PCB

TIN PLATING							
PART NO.	COLOR	CIRCUIT SIZE	KEY OPTION	DIM A	DIM F	DIM C	DIM D
172316-1104	BLACK	4	KEY A	3.50	8.00	1.75	0.00
172316-1106	BLACK	6	KEY A	7.00	11.50	3.50	0.00
172316-1108	BLACK	8	KEY A	10.50	15.00	5.25	7.00
172316-1110	BLACK	10	KEY A	14.00	18.50	7.00	10.50
172316-1112	BLACK	12	KEY A	17.50	22.00	8.75	14.00
172316-1114	BLACK	14	KEY A	21.00	25.50	10.50	17.50
172316-1116	BLACK	16	KEY A	24.50	29.00	12.25	21.00
172316-2104	NATURAL	4	KEY B	3.50	8.00	1.75	0.00
172316-2106	NATURAL	6	KEY B	7.00	11.50	3.50	0.00
172316-2108	NATURAL	8	KEY B	10.50	15.00	5.25	7.00
172316-2110	NATURAL	10	KEY B	14.00	18.50	7.00	10.50
172316-2112	NATURAL	12	KEY B	17.50	22.00	8.75	14.00
172316-2114	NATURAL	14	KEY B	21.00	25.50	10.50	17.50
172316-2116	NATURAL	16	KEY B	24.50	29.00	12.25	21.00

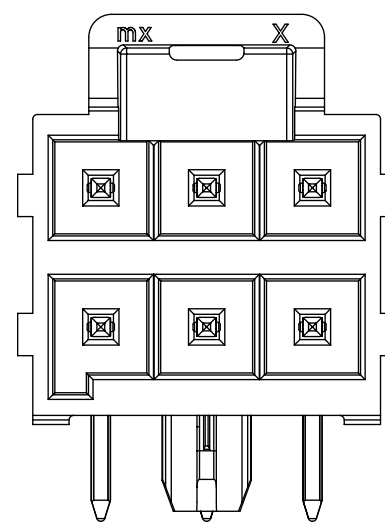
15 MICROINCH GOLD PLATING							
PART NO.	COLOR	CIRCUIT SIZE	KEY OPTION	DIM A	DIM F	DIM C	DIM D
172316-1204	BLACK	4	KEY A	3.50	8.00	1.75	0.00
172316-1206	BLACK	6	KEY A	7.00	11.50	3.50	0.00
172316-1208	BLACK	8	KEY A	10.50	15.00	5.25	7.00
172316-1210	BLACK	10	KEY A	14.00	18.50	7.00	10.50
172316-1212	BLACK	12	KEY A	17.50	22.00	8.75	14.00
172316-1214	BLACK	14	KEY A	21.00	25.50	10.50	17.50
172316-1216	BLACK	16	KEY A	24.50	29.00	12.25	21.00
172316-2204	NATURAL	4	KEY B	3.50	8.00	1.75	0.00
172316-2206	NATURAL	6	KEY B	7.00	11.50	3.50	0.00
172316-2208	NATURAL	8	KEY B	10.50	15.00	5.25	7.00
172316-2210	NATURAL	10	KEY B	14.00	18.50	7.00	10.50
172316-2212	NATURAL	12	KEY B	17.50	22.00	8.75	14.00
172316-2214	NATURAL	14	KEY B	21.00	25.50	10.50	17.50
172316-2216	NATURAL	16	KEY B	24.50	29.00	12.25	21.00

30 MICROINCH GOLD PLATING							
PART NO.	COLOR	CIRCUIT SIZE	KEY OPTION	DIM A	DIM F	DIM C	DIM D
172316-1304	BLACK	4	KEY A	3.50	8.00	1.75	0.00
172316-1306	BLACK	6	KEY A	7.00	11.50	3.50	0.00
172316-1308	BLACK	8	KEY A	10.50	15.00	5.25	7.00
172316-1310	BLACK	10	KEY A	14.00	18.50	7.00	10.50
172316-1312	BLACK	12	KEY A	17.50	22.00	8.75	14.00
172316-1314	BLACK	14	KEY A	21.00	25.50	10.50	17.50
172316-1316	BLACK	16	KEY A	24.50	29.00	12.25	21.00
172316-2304	NATURAL	4	KEY B	3.50	8.00	1.75	0.00
172316-2306	NATURAL	6	KEY B	7.00	11.50	3.50	0.00
172316-2308	NATURAL	8	KEY B	10.50	15.00	5.25	7.00
172316-2310	NATURAL	10	KEY B	14.00	18.50	7.00	10.50
172316-2312	NATURAL	12	KEY B	17.50	22.00	8.75	14.00
172316-2314	NATURAL	14	KEY B	21.00	25.50	10.50	17.50
172316-2316	NATURAL	16	KEY B	24.50	29.00	12.25	21.00

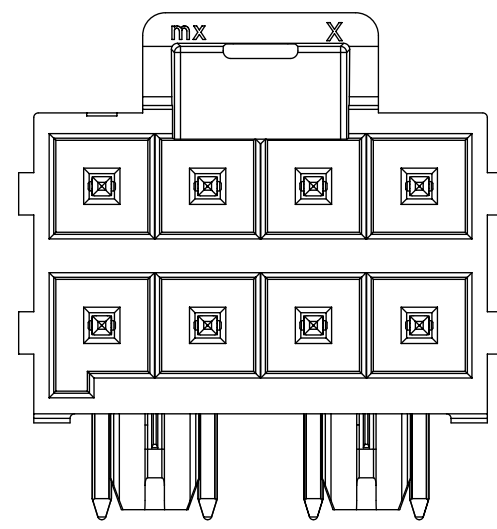
FUNCTIONAL SYMBOLS $F_A = 0$ $F_C = 0$ $F_P = 0$	THIS DRAWING CONTAINS INFORMATION THAT IS PROPRIETARY TO MOLEX ELECTRONIC TECHNOLOGIES, LLC AND SHOULD NOT BE USED WITHOUT WRITTEN PERMISSION DIMENSION UNITS: mm SCALE: 1:1	CURRENT REV DESC: EC NO: 694874 DRWN: GLLI 2022/02/08 CHK'D: XQZHANG 2022/02/14 APPR: XQZHANG 2022/02/14 INITIAL REVISION: DRWN: DROSCA 2014/03/06 APPR: JCOMERCI 2014/04/24				
	GENERAL TOLERANCES (UNLESS SPECIFIED) ANGULAR TOL: \pm ° 4 PLACES: \pm 3 PLACES: \pm 2 PLACES: \pm 0.25 1 PLACE: \pm 0.5 0 PLACES: \pm					ULTRA-FIT R/A HEADER 4-16 CKTS DUAL ROW
	DIVISIONAL SYMBOLS DRAFT WHERE APPLICABLE MUST REMAIN WITHIN DIMENSIONS		THIRD ANGLE PROJECTION	DRAWING: D-SIZE SERIES: 172316	MATERIAL NUMBER: SD-172316-1000 CUSTOMER: GENERAL MARKET	DOC TYPE: PSD DOC PART: 000 REVISION: F5
	SHEET NUMBER: 2 OF 3					



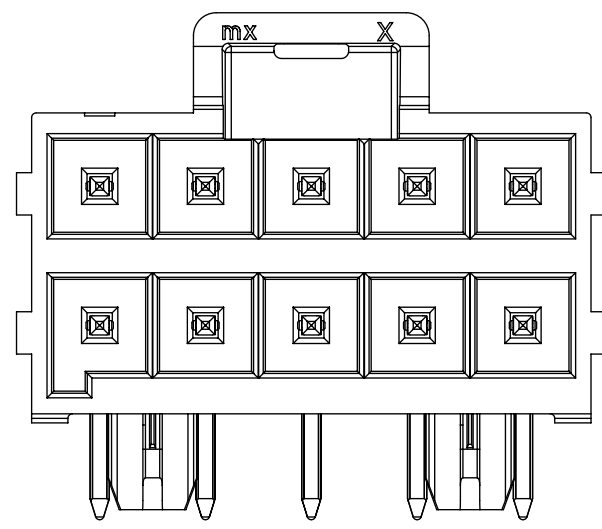
4 CKT



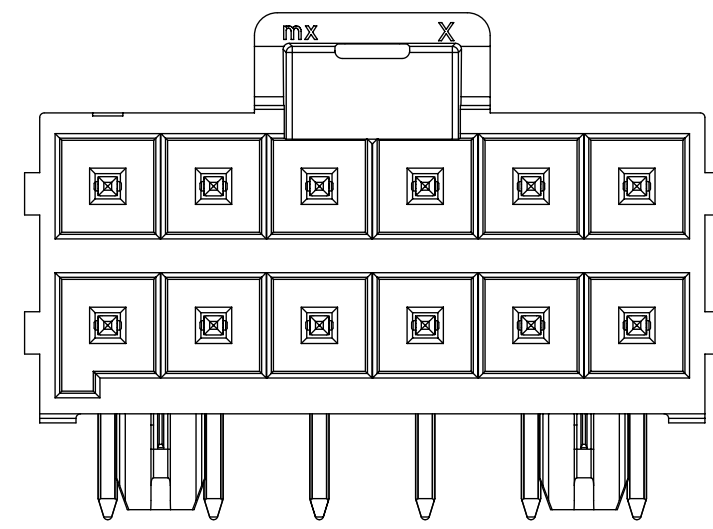
6 CKT



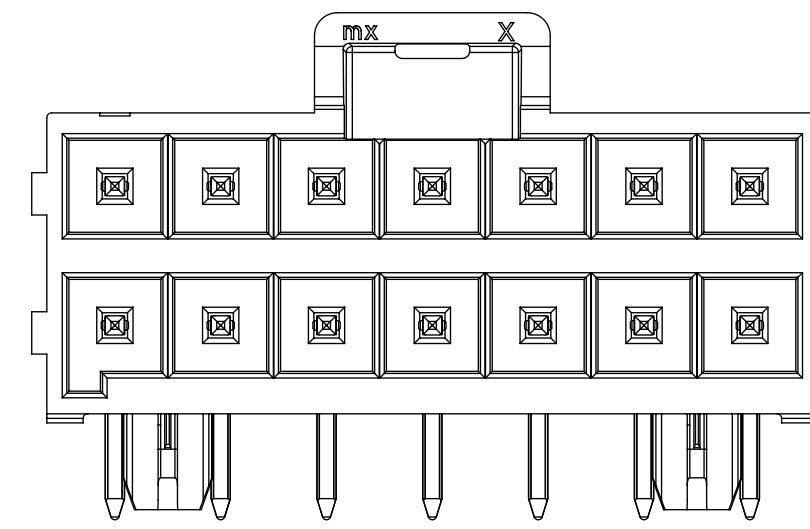
8 CKT



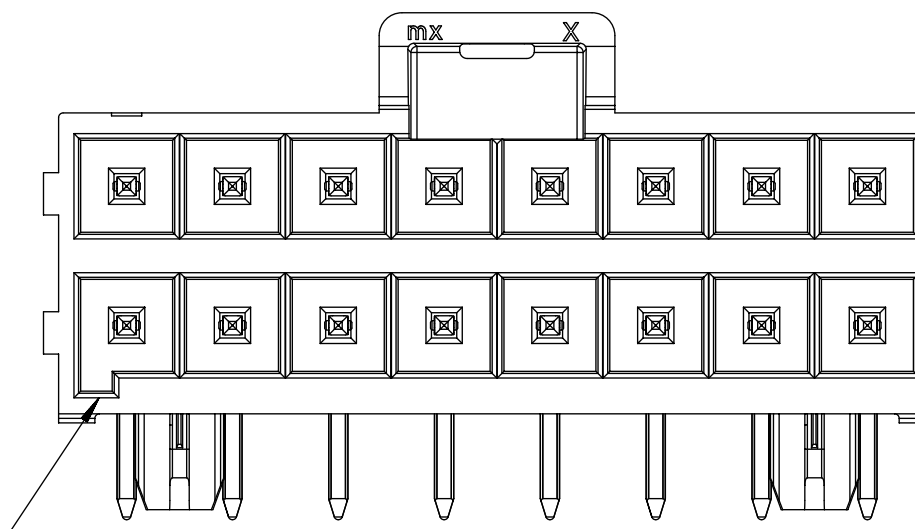
10 CKT



12 CKT

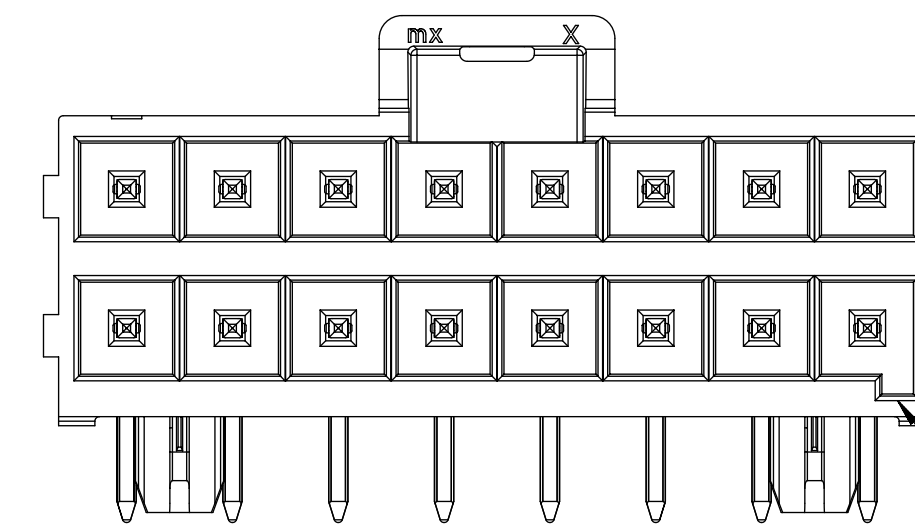


14 CKT



16 CKT

KEY A
(BLACK)



KEY B
(NATURAL)

FUNCTIONAL SYMBOLS $F_A = 0$ $F_C = 0$ $F_D = 0$	THIS DRAWING CONTAINS INFORMATION THAT IS PROPRIETARY TO MOLEX ELECTRONIC TECHNOLOGIES, LLC AND SHOULD NOT BE USED WITHOUT WRITTEN PERMISSION		CURRENT REV DESC: EC NO: 694874 DRWN: GLLI 2022/02/08 CHK'D: XQZHANG 2022/02/14 APPR: XQZHANG 2022/02/14				
	DIMENSION UNITS mm	SCALE 1:1					
DIVISIONAL SYMBOLS	4 PLACES \pm	INITIAL REVISION: DRWN: DROSCA 2014/03/06 APPR: JCOMERCI 2014/04/24		DOCUMENT NUMBER SD-172316-1000	DOC TYPE PSD	DOC PART 000	REVISION F5
	3 PLACES \pm	DRAFT WHERE APPLICABLE MUST REMAIN WITHIN DIMENSIONS		MATERIAL NUMBER D-SIZE 172316	CUSTOMER GENERAL MARKET	SHEET NUMBER 3 OF 3	
	2 PLACES ± 0.25	THIRD ANGLE PROJECTION 					
	1 PLACE ± 0.5						
0 PLACES \pm							