



PRODUCT DATASHEET

Leila series

last update 18/1/2017

DETAILS

Product Number	FA11452_LN2-M2
Family	Leila
Type	Assembly
Color	black
Diameter	21,6 mm
Height	13,3 mm
Style	round
Optic Material	PMMA
Holder Material	
Fastening	tape
Status	production ready
ROHS Compliant	Yes
Date Updated	18/01/2017



OPTICAL PROPERTIES

LED	Viewing Angle	Light Beam	Efficiency	cd/lm	Connector
MX-6	sim: 30	M2-class	-	-	-
NS6x83	29 deg	M2-class	88 %	2.820	-
OLP-x5050F6L	31 deg	M2-class	90 %	3.600	-

D

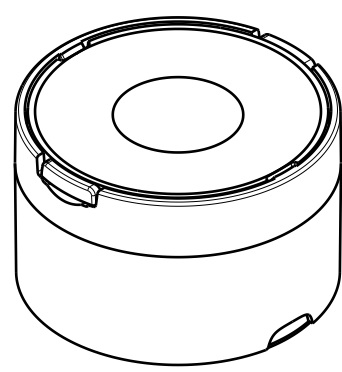
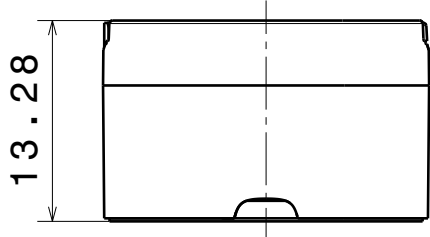
C

B

A

4

4

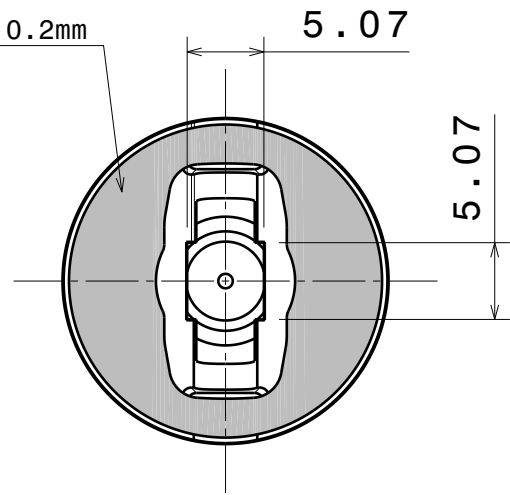
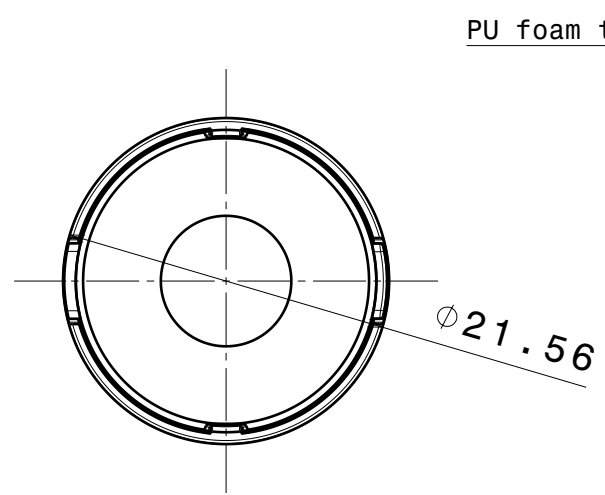


Front view

Isometric view
Scale: 2:1

3

3



Front view
Scale: 2:1

Rear view
Scale: 2:1

2

2

INDEX	PART NO	DESCRIPTION	MATERIAL	COLOUR
1	F10699	LN2-LH1-TAPE	PC	black
2	-	LN2-series lens	PMMA	

Tolerances if not otherwise shown
According to DIN ISO 2768-1
Linear measures:
Up to 30mm class M, otherwise class C.
According to DIN ISO 2768-2
Form and position: class L

LEDiL Ledil Oy
Salorankatu 10
FIN 24240 SALO
Finland

THIRD ANGLE PROJECTION:

DRAWING TITLE
LN2 series

This drawing is the property of LEDiL Oy. It may not be reproduced, copied or communicated without a written agreement with LEDiL Oy.

SIZE PART NUMBER
A4 -

SCALE 2:1 WEIGHT 4 g SHEET 1/1

1

1

D

A