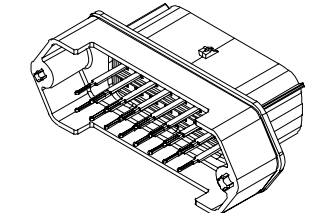
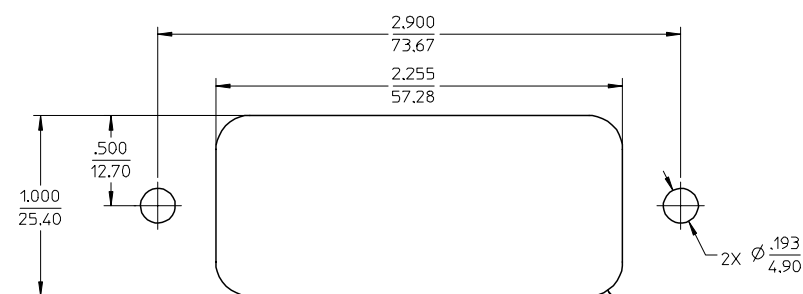
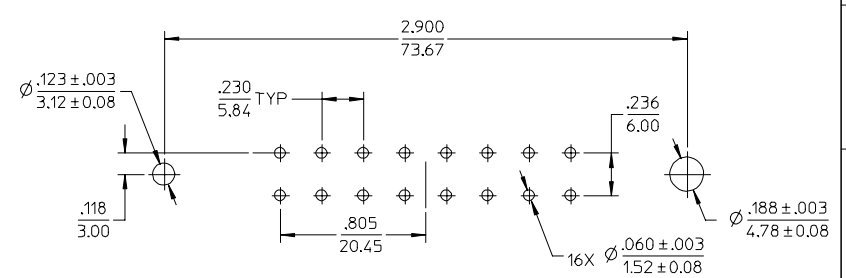
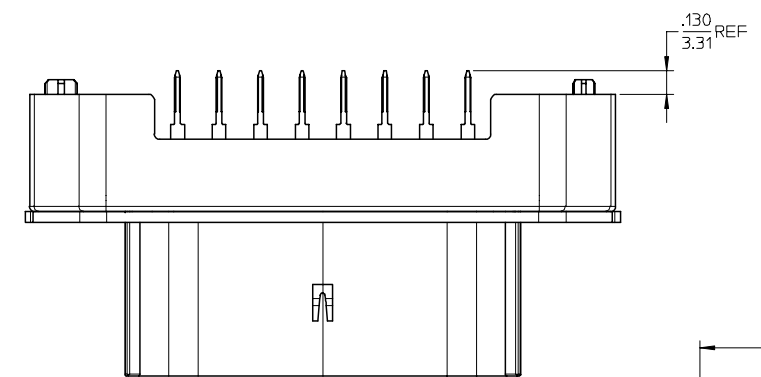


MATERIAL NUMBER	TERMINAL FINISH	TERMINAL PIN POTTING
19428-0002	TIN	NO
19428-0024	TIN/GOLD	
19428-0040	TIN	YES
19428-0041	TIN/GOLD	

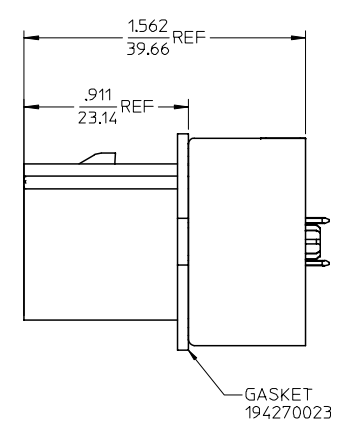
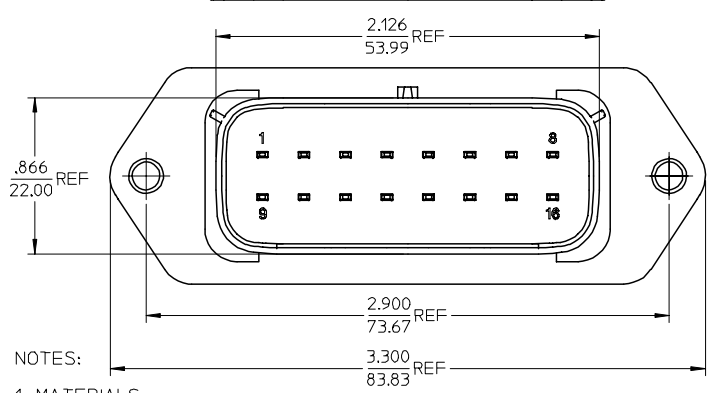


RECOMMENDED PANEL MOUNT OPENING
MAX PANEL THK .080/2.03

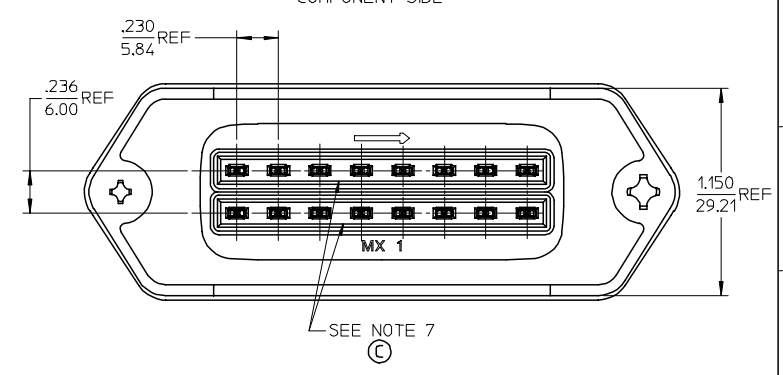
ASSEMBLED VIEW
SCALE 1:1



RECOMMENDED PCB LAYOUT
COMPONENT SIDE



GASKET
194270023



NOTES:

- MATERIALS:
HOUSING: POLYESTER (PBT), GLASS FILLED, UL94 V-0,
COLOR: BLACK
TERMINALS: COPPER ALLOY
TERMINAL POTTING AS APPLICABLE: ELASTOMERIC SILICONE.
- FINISHES: 1. TIN ONLY: 100µIN TIN OVER 50µIN NICKEL
2. TIN/GOLD: 30µIN SELECT GOLD (CONTACT MATING AREA),
100µIN SELECT TIN (PCB TAIL AREA) OVER 50µIN NICKEL OVERALL.
- PRODUCT SPECIFICATION: PS-19428-001.
- PACKAGING SPECIFICATION: PK-19428-001.
- MATES WITH: 19418 SERIES RECEPTACLE ASSEMBLIES.
- RECOMMENDED MOUNTING HARDWARE: (2)#10 X .62/18.9 LONG PLASTIC
THREAD CUTTING SCREWS. RECOMMENDED TORQUE 15-17 IN-LBS.
SUGGESTED SOURCE: ITW SHAKEPROOF INDUSTRIAL BOSSCREW OR EQUIVALENT.
- ELASTOMERIC SILICONE APPLIED IN TERMINAL WELLS, SEE CHART.
- ASSEMBLY IS ROHS COMPLIANT.

REV	DESCRIPTION	QUALITY SYMBOLS	GENERAL TOLERANCES (UNLESS SPECIFIED)		DIMENSION STYLE		SCALE	DESIGN UNITS	THIRD ANGLE PROJECTION
			mm	INCH	IN/MM	INCH			
			4 PLACES ± ---	± ---	DRAWN BY	DATE	2:1	INCH	
			3 PLACES ± ---	± .015	DMYRICK	04/07/07			
			2 PLACES ± 0.38	± ---	CHECKED BY	DATE			
			1 PLACE ± ---	± ---	JPAWLICKI	04/07/07			
			ANGULAR ± 1 °		APPROVED BY	DATE			
			DRAFT WHERE APPLICABLE MUST REMAIN WITHIN DIMENSIONS		RDEROSS	04/07/07			
			SEE CHART		MATERIAL NO.	DOCUMENT NO.	MOLEX INCORPORATED		
							SD-19428-016		SHEET NO.
									1 OF 1