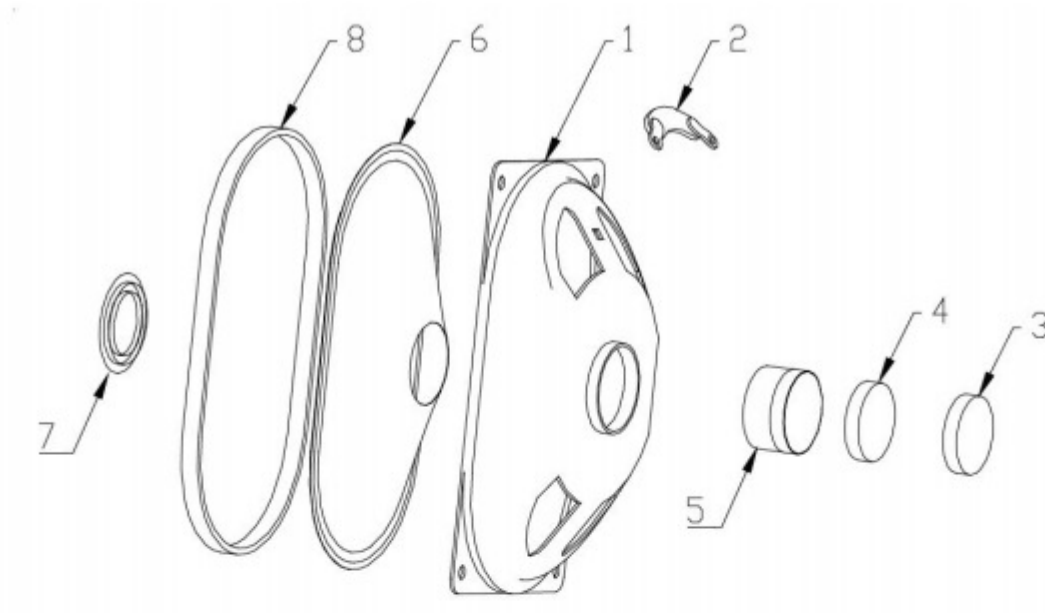
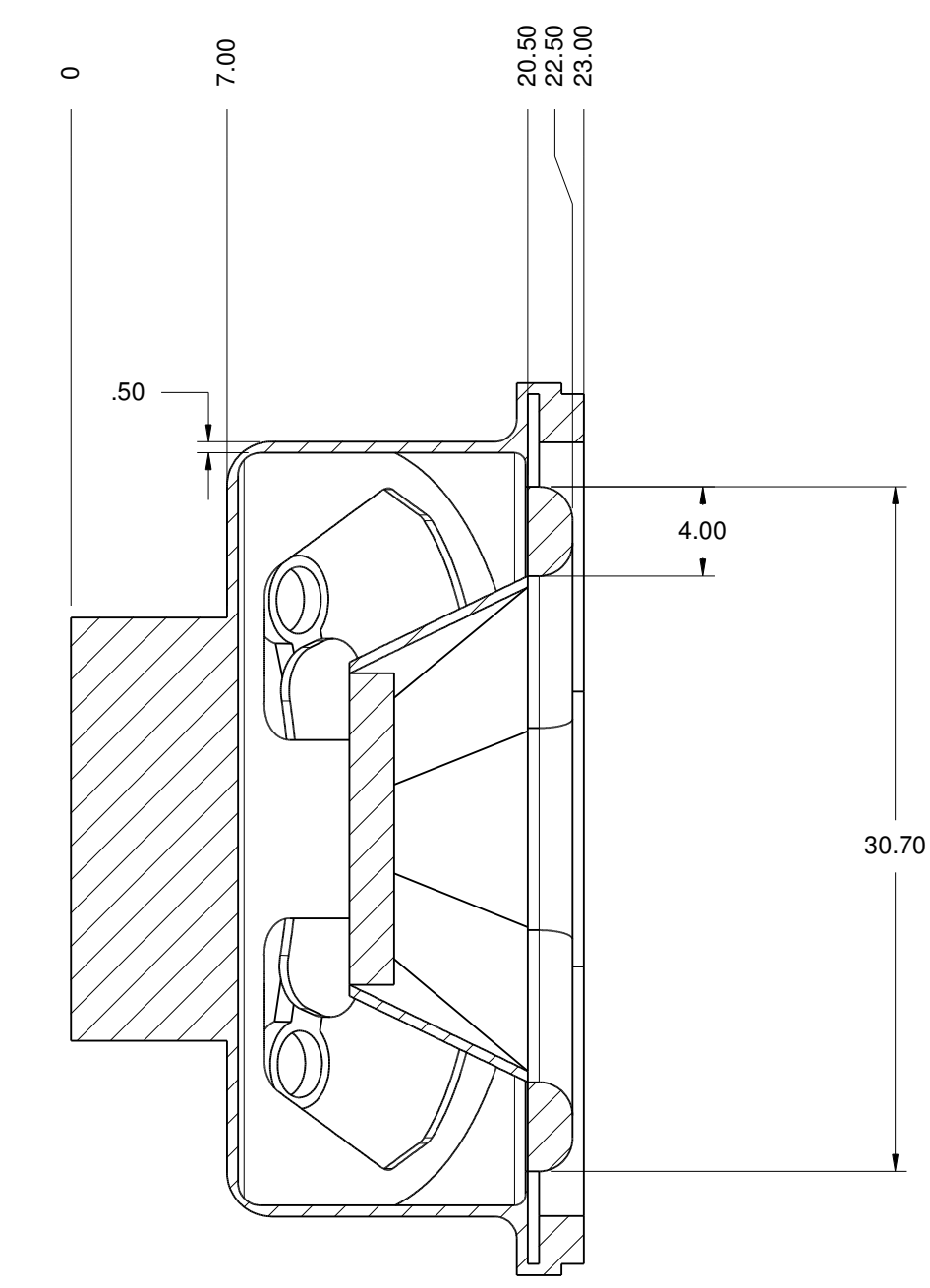
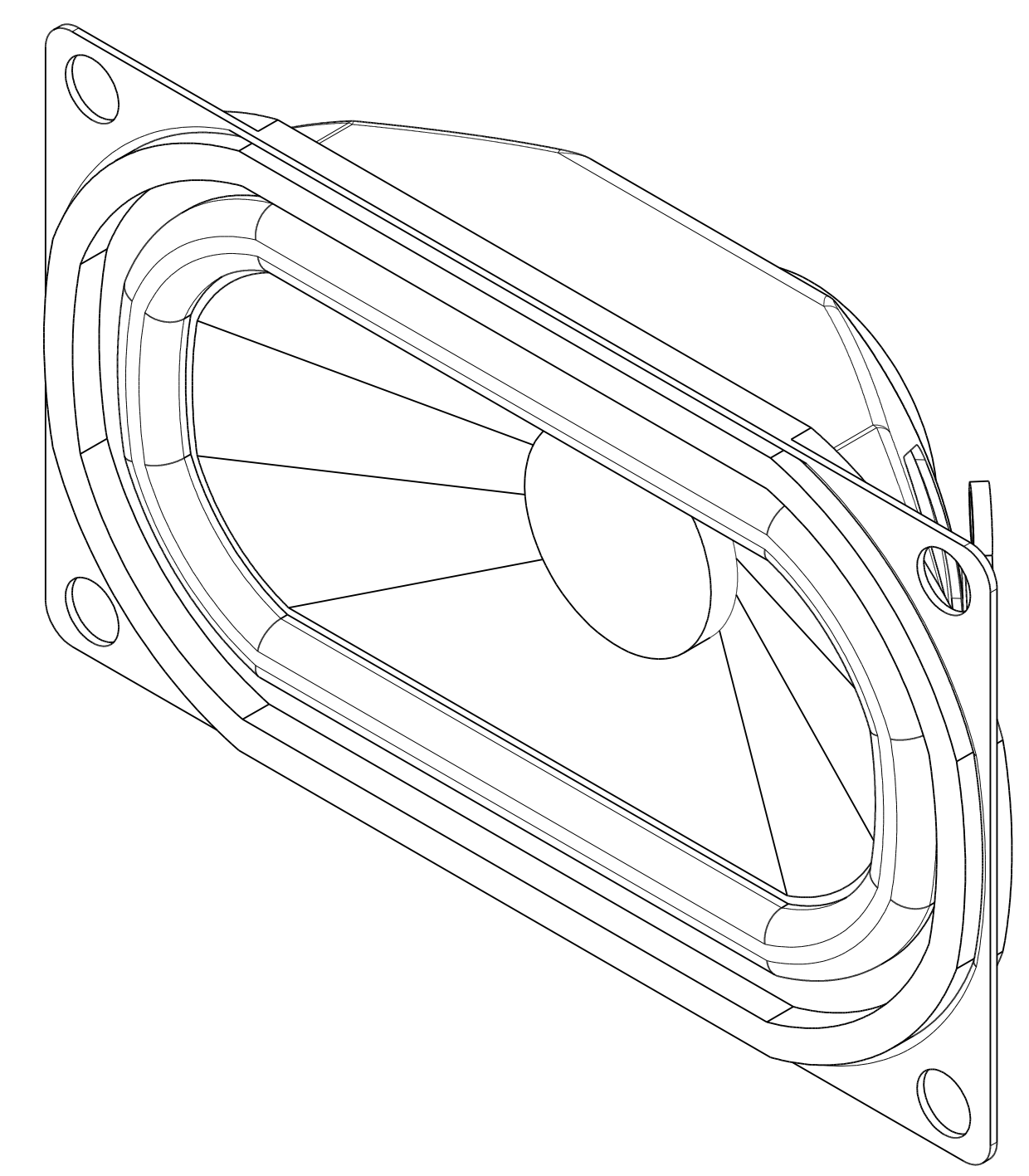
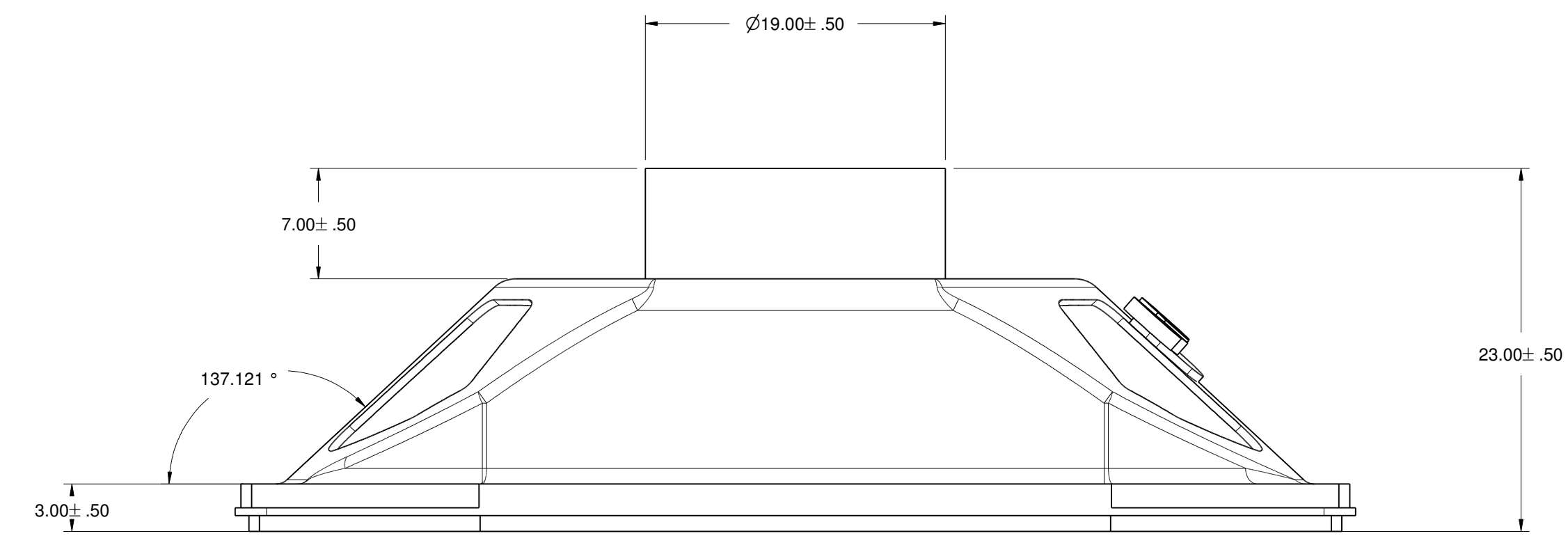


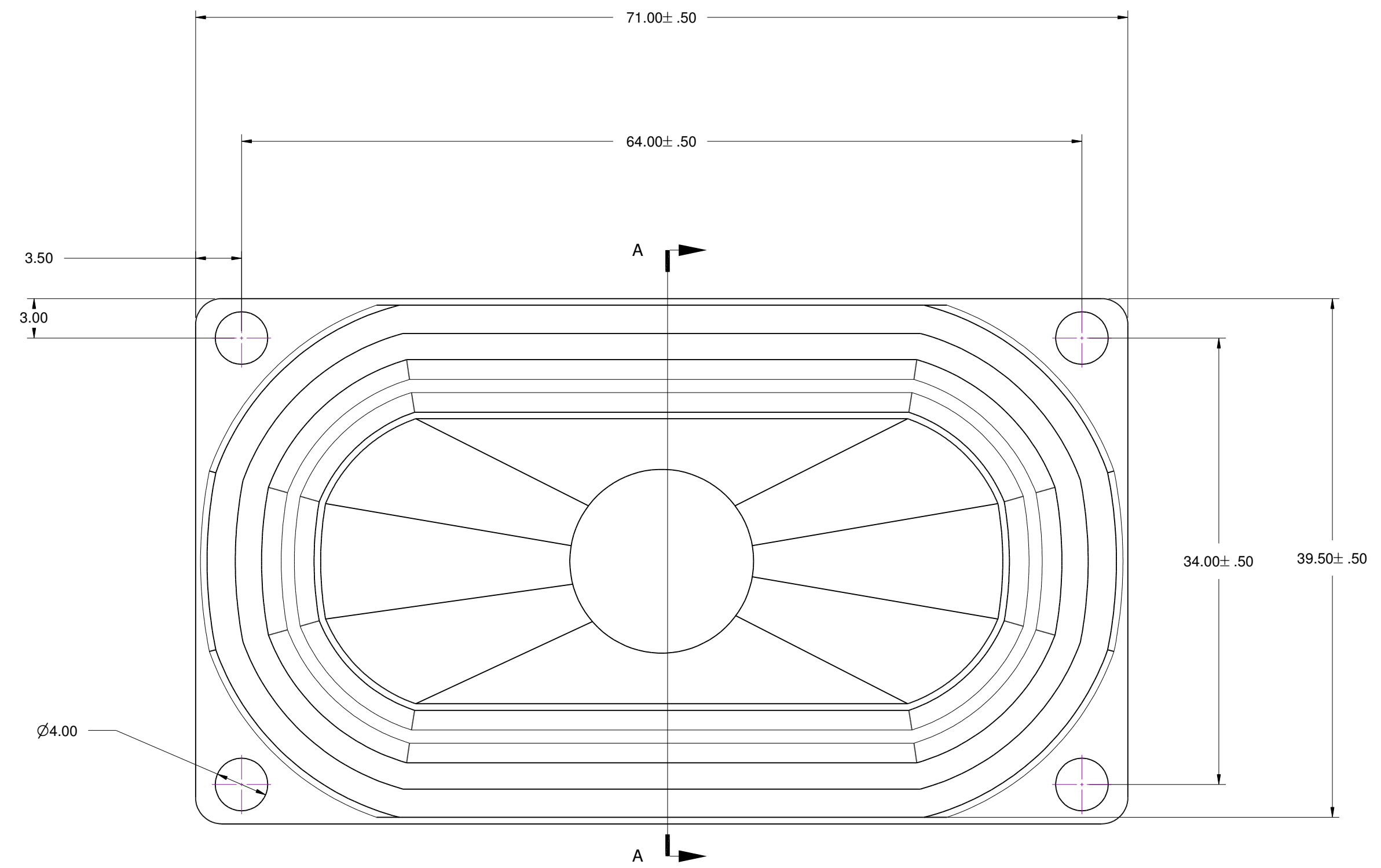
REVISIONS				
ZONE	REV	DESCRIPTION	DATE	APPROVED



No.	Part Name	Material	Quantity
1	Frame	SPCC	1
2	PCB Terminal	Paper + metal	1
3	Magnet	NdFeB	1
4	Plate	SPCC	1
5	Voice Coil	Paper + Cu	1
6	Diaphragm	Cloth + paper	1
7	Cap	Paper	1
8	Gasket	Paper	1



Section A-A



ALL TOLERANCES +/- .5MM UNLESS NOTED

NOTE: 152MM 28AWG RED AND BLACK WIRES PRESOLDERED

