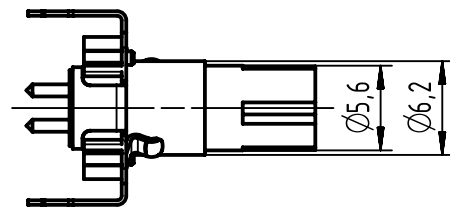
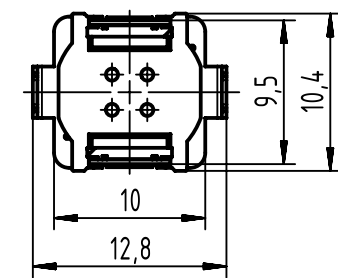
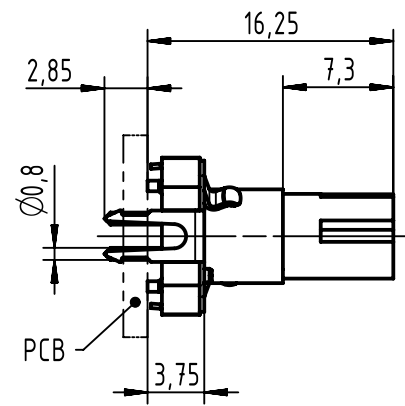
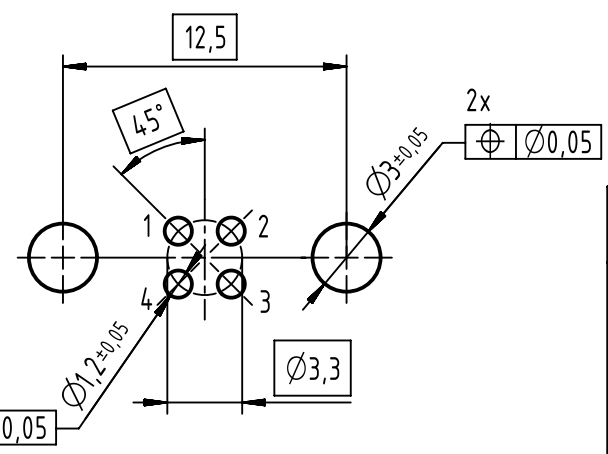


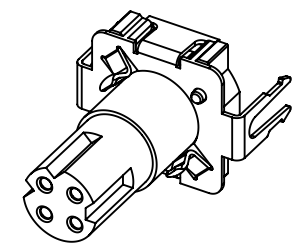
contact face acc. to IEC 61076-2-114



PCB layout (3:1)



-25 pcs. package
recommended PCB thickness: 1.6mm



	All Dimensions in mm Original Size DIN A4		Scale 2:1	Free size tol.		Ref.	
	All rights reserved Department EL PD		Created by GRUBES	Inspected by HARLASS	Standardisation HOFFMANN	Sub.	
HARTING Electronics GmbH D-32339 Espelkamp		Title M8-PCB-THT-2PC-4P-DCOD-F-STR-SHLD				Date 2018-11-08	State Final Release
		Type TB				Number 21420000006	Doc-Key / ECM-Nr. 100715520/UGD/000/B 500000143076
						Rev. B	Page 1/1