

THIS DRAWING IS UNPUBLISHED. RELEASED FOR PUBLICATION
 © COPYRIGHT - By - ALL RIGHTS RESERVED.

LOC	DIST	REVISIONS					
FT	0	P	LTR	DESCRIPTION	DATE	DWN	APVD
			B	REVISED PER ECO-11-023039	21FEB12	KH	MS

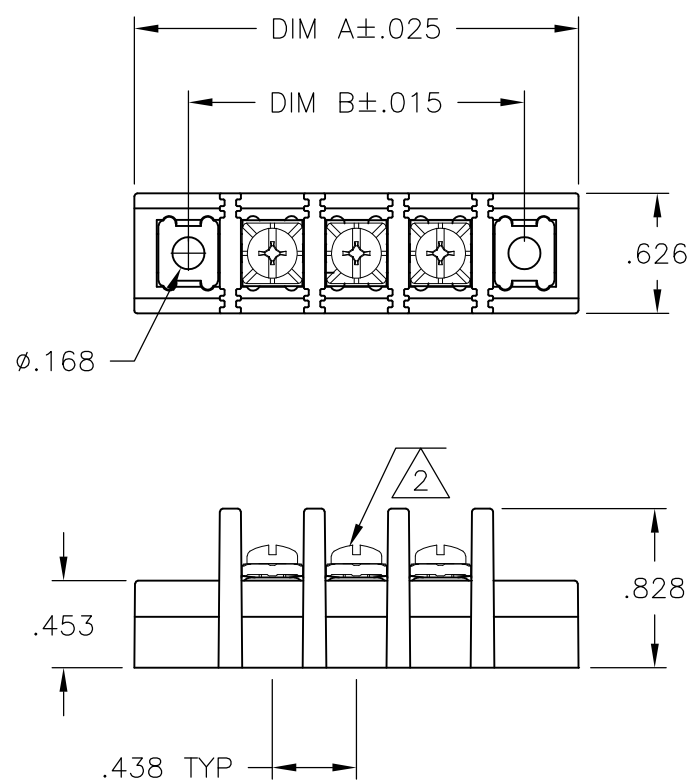
MATERIALS:
 HOUSING: THERMOPLASTIC, UL94V-0, BLACK.
 TERMINALS: BRASS, BRIGHT TIN PLATED.
 SCREWS: 6-32, STEEL, ZINC PLATED W/ CLEAR CHROMATE,

ELECTICAL:
 MAXIMUM CURRENT: 20A.
 OPERATING VOLTAGE: 600V.
 WIRE RANGE: 12-22 AWG

ENVIRONMENT:
 OPERATING TEMP.: -60°C TO +105°C

1 OBSOLETE PARTS: OBSOLETE CIS STREAMLINING PER D.RENAUD/D.SINISI

2 ALL SCREWS BOTTOMED, TORQUE 2 TO 4 IN-LBS.



1 OBSOLETE

1 OBSOLETE

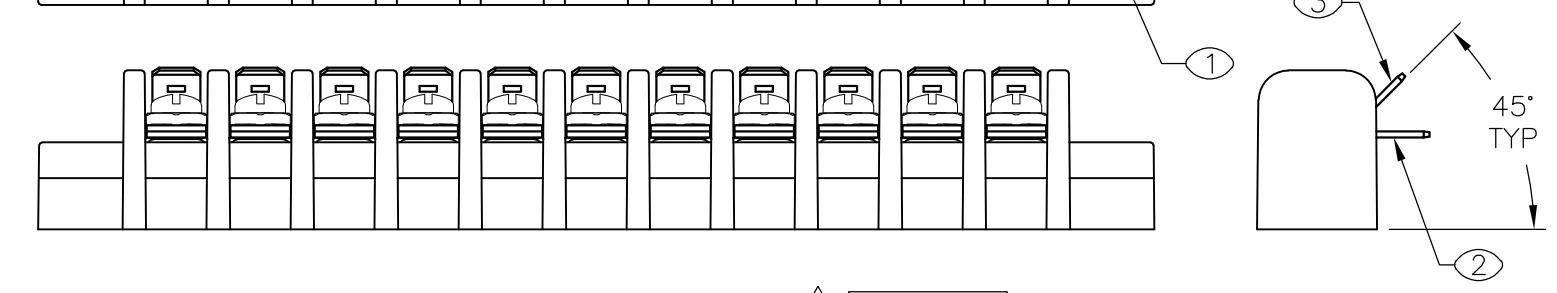
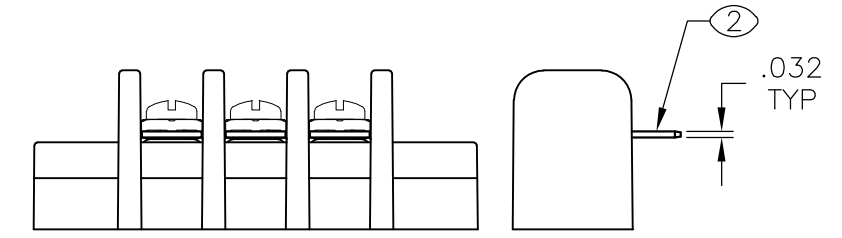
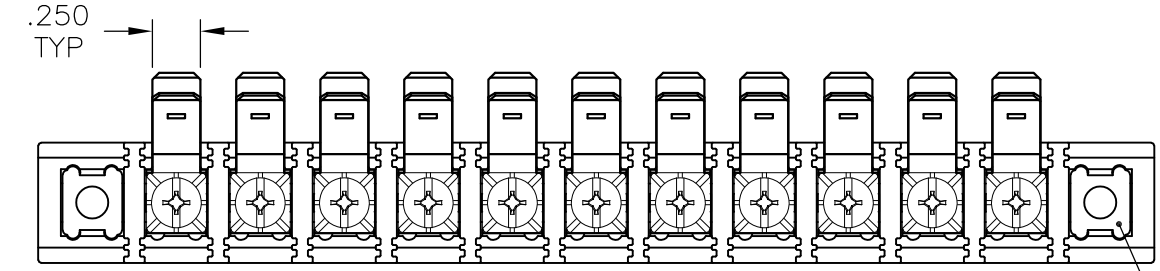
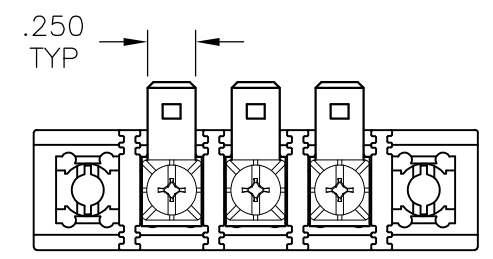
10.500	11.062	-	-	-	2	24	SSB7CG240302	2-1546967-4
10.062	10.625	-	-	-	2	23	SSB7CG230302	2-1546967-3
9.625	10.187	-	-	-	2	22	SSB7CG220302	2-1546967-2
9.187	9.750	-	-	-	2	21	SSB7CG210302	2-1546967-1
8.750	9.312	-	-	-	2	20	SSB7CG200302	2-1546967-0
8.312	8.875	-	-	-	2	19	SSB7CG190302	1-1546967-9
7.875	8.437	-	-	-	2	18	SSB7CG180302	1-1546967-8
7.437	8.000	-	-	-	2	17	SSB7CG170302	1-1546967-7
7.437	8.000	-	-	-	2	16	SSB7CG160302	1-1546967-6
7.000	7.562	-	-	-	2	15	SSB7CG150302	1-1546967-5
6.562	7.125	-	-	-	2	14	SSB7CG140302	1-1546967-4
6.125	6.687	-	-	-	2	13	SSB7CG130302	1-1546967-3
5.687	6.250	-	-	-	2	12	SSB7CG120302	1-1546967-2
5.250	5.812	-	11	11	2	11	SSB7CG11030229	4-1546561-5
5.250	5.812	-	-	-	2	11	SSB7CG110302	1-1546967-1
4.812	5.375	-	-	-	2	10	SSB7CG100302	1-1546967-0
4.375	4.937	-	-	-	2	9	SSB7CG090302	1546967-9
3.937	4.500	-	-	-	2	8	SSB7CG080302	1546967-8
3.500	4.062	-	-	-	2	7	SSB7CG070302	1546967-7
3.062	3.625	-	-	-	2	6	SSB7CG060302	7-1437415-2
2.625	3.187	-	-	-	2	5	SSB7CG050302	1546967-5
2.187	2.750	4	-	-	2	4	SSB7CG040341	2-1546967-7
2.187	2.750	-	-	-	2	4	SSB7CG040302	1546967-4
1.750	2.312	-	3	3	2	3	SSB7CG03030229	2-1546967-6
1.750	2.312	-	-	3	-	3	SSB7CF03030223	8-796602-6
1.750	2.312	-	-	-	2	3	SSB7CG030302	9-796602-6
1.312	1.875	-	-	-	2	2	SSB7CG020302	1546967-2
.875	1.437	-	-	-	2	1	SSB7CG010302	1546967-1
DIM B	DIM A	QC TAB 45° DOUBLE SIDED	QC TAB 45°	QC TAB 0°	SSB7 BUSHING	NO. OF POS.	CATALOG NUMBER	PART NUMBER
		4	3	2	1			
QUANTITIES								

THIS DRAWING IS A CONTROLLED DOCUMENT.

DIMENSIONS: INCHES	TOLERANCES UNLESS OTHERWISE SPECIFIED:	DWN S SCHLGEL 11/15/06	STE TE Connectivity
	0 PLC ± -	CHK S YODER 11/15/06	
	1 PLC ± -	APVD S YODER 11/15/06	
MATERIAL	FINISH	NAME	
		PRODUCT SPEC	
		APPLICATION SPEC	
		WEIGHT	SIZE CAGE CODE DRAWING NO RESTRICTED TO
			A3 00779 C-8-796602-6
CUSTOMER DRAWING			SCALE NTS SHEET 1 OF 3 REV B

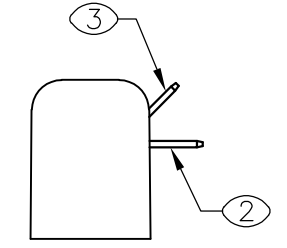
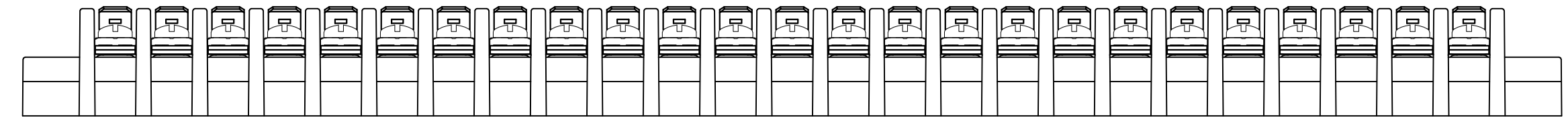
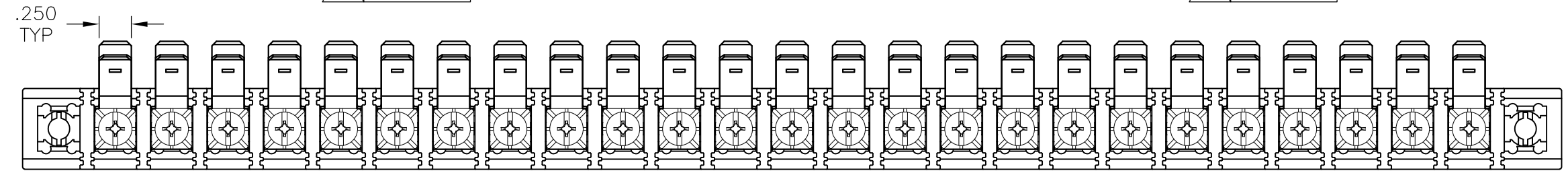
THIS DRAWING IS UNPUBLISHED. RELEASED FOR PUBLICATION
 © COPYRIGHT - By - ALL RIGHTS RESERVED.

LOC FT	DIST 0	REVISIONS			
P	LTR	DESCRIPTION	DATE	DWN	APVD
	-	SEE SHEET 1	-	-	-

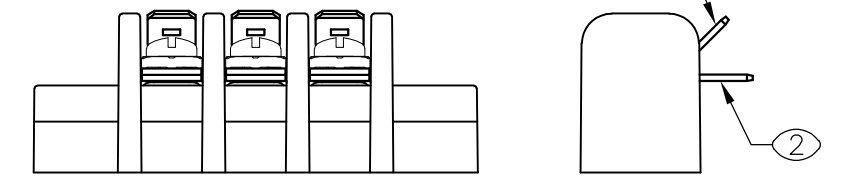
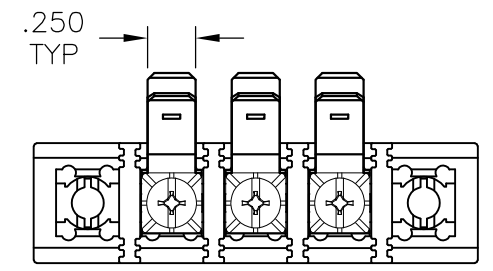


~~8-796602-6~~ 1 OBSOLETE

~~1-1546561-5~~ 1 OBSOLETE



3-1546561-3



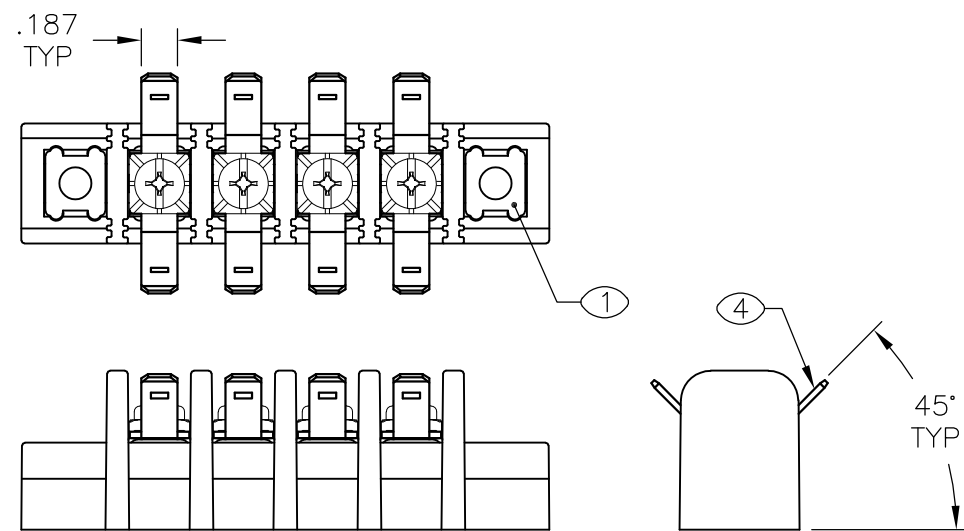
2-1546967-6

10.937	11.500	-	25	25	-	25	SSB7CF25030229	3-1546561-3
10.937	11.500	-	-	-	2	25	SSB7CG250302	2-1546967-5
DIM B	DIM A	QC TAB 45° DOUBLE SIDED ④	QC TAB 45° ③	QC TAB 0° ②	SSB7 BUSHING ①	NO. OF POS.	CATALOG NUMBER	PART NUMBER
QUANTITIES								


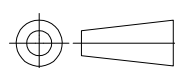
THIS DRAWING IS A CONTROLLED DOCUMENT.		DWN S SCHLGEL 11/15/06	TE Connectivity		
DIMENSIONS: INCHES		CHK S YODER 11/15/06			
TOLERANCES UNLESS OTHERWISE SPECIFIED:		APVD S YODER 11/15/06	NAME SSB7CGXX0302		
0 PLC ± - 1 PLC ± - 2 PLC ± .02 3 PLC ± .010 4 PLC ± - ANGLES ± 1°		PRODUCT SPEC	RESTRICTED TO		
MATERIAL		APPLICATION SPEC	SIZE A3	CAGE CODE 00779	DRAWING NO C-8-796602-6
FINISH		WEIGHT	CUSTOMER DRAWING		SCALE NTS
		SHEET 2 OF 3		REV B	

THIS DRAWING IS UNPUBLISHED. RELEASED FOR PUBLICATION
 © COPYRIGHT - By - ALL RIGHTS RESERVED.

LOC	DIST	REVISIONS			
P	LTR	DESCRIPTION	DATE	DWN	APVD
FT	0	-	SEE SHEET 1	-	-



2-1546967-7

THIS DRAWING IS A CONTROLLED DOCUMENT.		DWN S SCHLGEL 11/15/06	 TE Connectivity					
DIMENSIONS: INCHES		CHK S YODER 11/15/06				NAME SSB7CGXX0302		
TOLERANCES UNLESS OTHERWISE SPECIFIED: 0 PLC ± - 1 PLC ± - 2 PLC ± .02 3 PLC ± .010 4 PLC ± - ANGLES ± 1°		APVD S YODER 11/15/06	PRODUCT SPEC -					
		APPLICATION SPEC -	SIZE A3	CAGE CODE 00779	DRAWING NO C-8-796602-6	RESTRICTED TO -		
MATERIAL -		FINISH -	WEIGHT -	CUSTOMER DRAWING		SCALE NTS	SHEET 3 OF 3	REV B