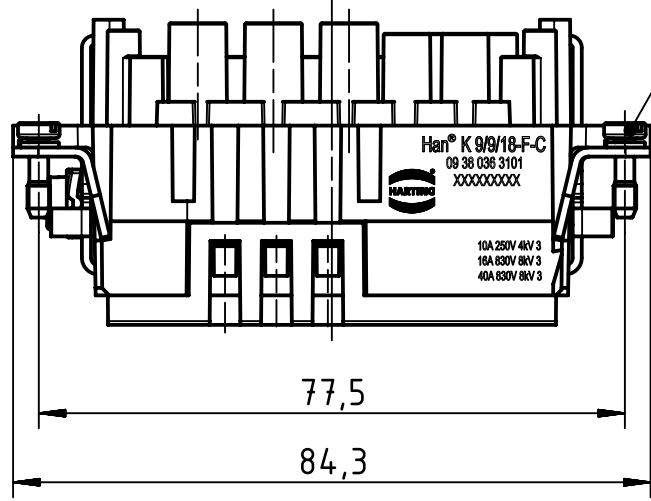
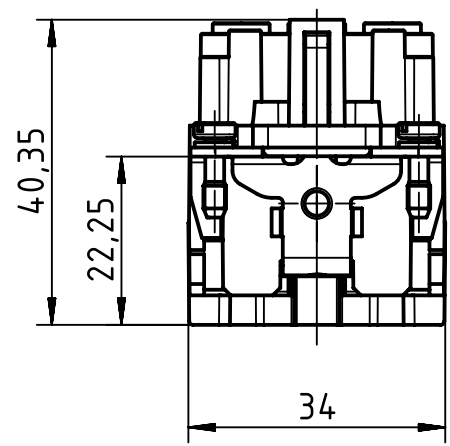
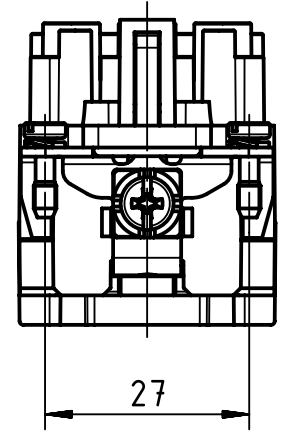


A



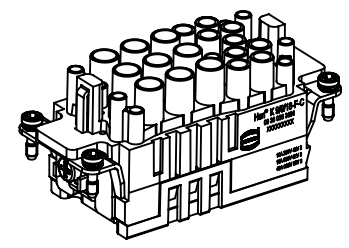
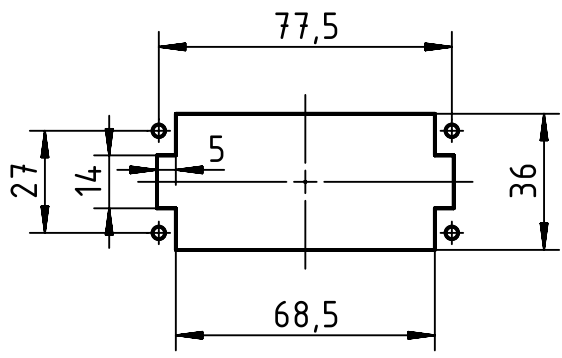
4x M3x10



B

C

panel cut out
1:2



D

	All Dimensions in mm Original Size DIN A4		Scale 1:1	Free size tol.		Ref.
	All rights reserved Department EL PD		Created by MOELLERLI	Inspected by GIESBRECHTP	Standardisation GARSKE	Sub.
HARTING Electric GmbH & Co. KG D-32339 Espelkamp		Title Han K 9/9/18-F-C			Date 2019-10-10	State Final Release
					Doc-Key / ECM-Nr. 100731929/UGD/001/F 500000158954	Rev. F
Type TB				Number 09 38 036 3101		Page 1/1