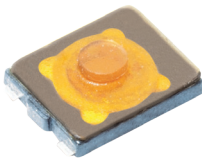


KXT2

WHEN CAMERA OR PRE-SELECTION FUNCTION IS REQUIRED

The KXT2 series is the smallest double action top actuated tact switch available by C&K, with multiple benefits for the new generation of ultra-compact electronics.

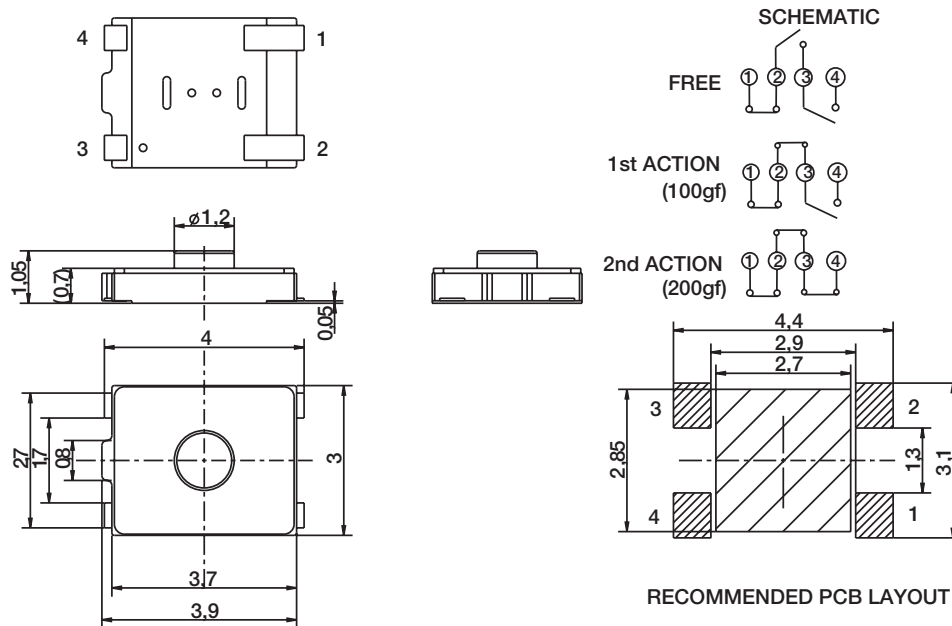
- When a side actuated switch configuration is required, folded on a flexible printed circuit, the reduced width of 3.0 mm offers the designer integration options
- Compact profile helps designer reduce thickness of the application
- The two actuation forces offer a distinctive and stable tactile feeling which help the user differentiate the first action from the second one.



KXT2

DOUBLE ACTION ULTRA COMPACT
SMT TOP ACTUATED

C&K Part Number	Operating Force (gf)	Operating life	KSC1001
KXT 211 LHS	Push Force 1	100 +/- 40	100,000
	Push Force 2	200 +/- 50	



For more information please consult C&K KXT2 page at www.ck-components.com

AMERICAS

Tel: +1.617.969.3700

ASIA

Tel: +852.3713.5288

EUROPE

Tel: +33.1.60.24.51.51

