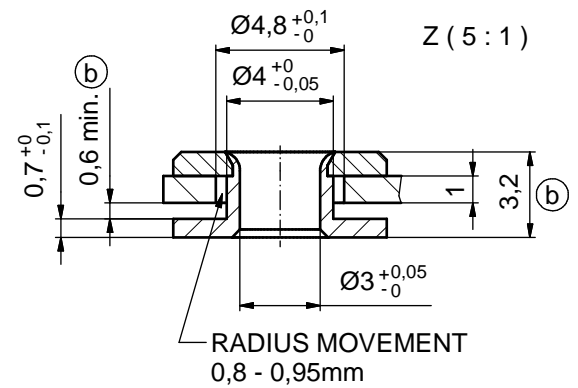
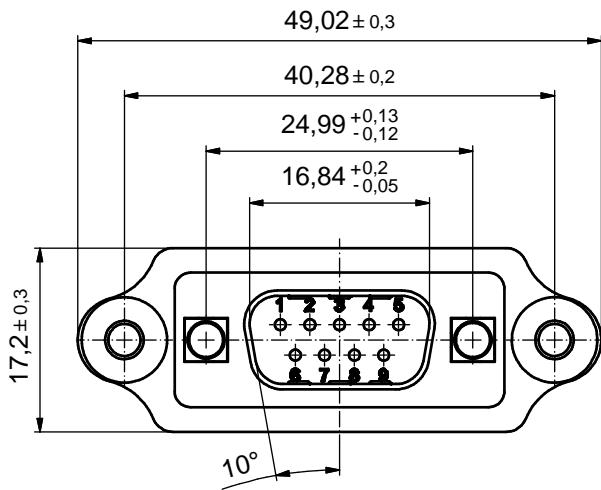
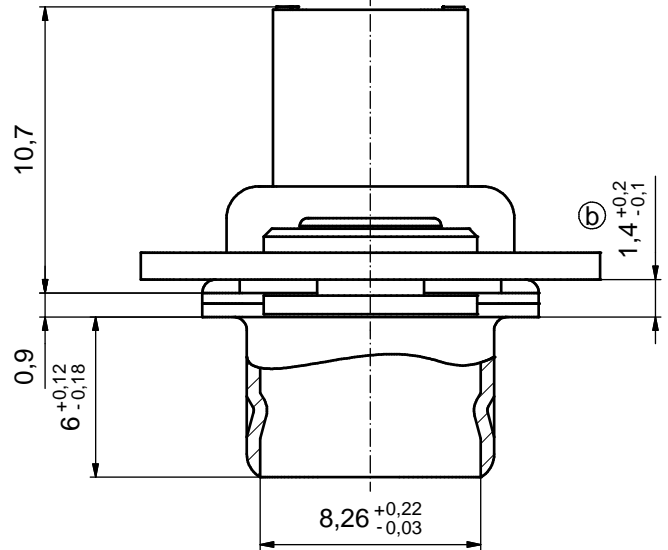
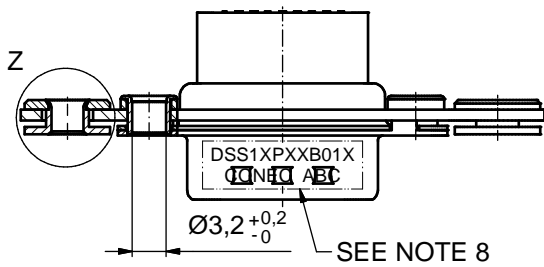


(5:1)



RADIUS MOVEMENT
0,8 - 0,95mm



ⓑ NOTES:

1. METALSHELLS: STEEL; min. 315µm TIN over 40-80µm NICKEL
2. INSULATORS: PBT GF UL 94 V-0, BLACK
3. FRAME: STEEL; NICKEL PLATED
4. FLOAT MOUNTS: COPPER ALLOY; NICKEL PLATED
5. RIVETED INSERTS: COPPER ALLOY; min. 200µm TIN over 80µm NICKEL
6. COLLARS: COPPER ALLOY; min. 200µm TIN over 80µm NICKEL
7. CONNECTOR WILL BE SUPPLIED WITHOUT CONTACTS
8. CONNECTOR IS PART MARKED: DSS1XPXXB01X CONEC ABC

Directive 2002/95/EC RoHS compliant

THIS DRAWING MAY NOT BE COPIED OR REPRODUCED IN ANY WAY, AND MAY NOT BE PASSED ON TO A THIRD PARTY WITHOUT WRITTEN PERMISSION. OWNERSHIP AND COPYRIGHT OF CONEC GmbH				tolerance		dim. in mm	scale: 2:1 (5:1)	
				date			material: SEE NOTES	
DO NOT ALTER CAD DRAWING BY HAND				drawn	13.02.07	Lehmenkühler	title: D-SUB MALE 9pos. CRIMP STYLE with frame and float mount	
				appd.	14.02.07			
4 x b				norm		dwg no:		DIN-A3
				d-old				
a				rev.		16K1A1988		sh: 1
rev. description date name				part no:		DSS1XPXXB01X		

