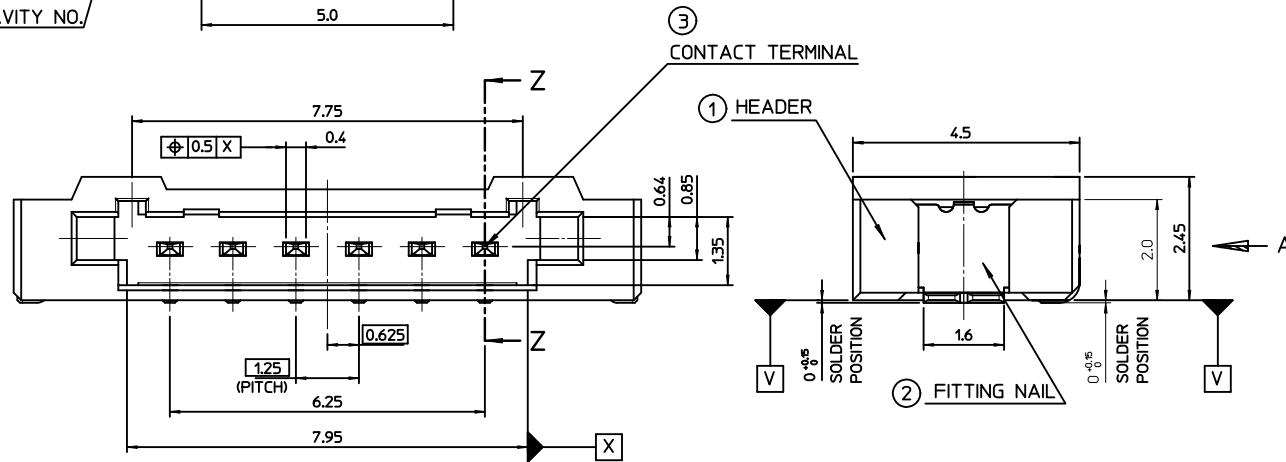
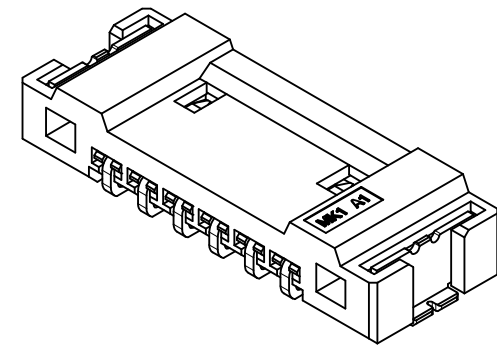
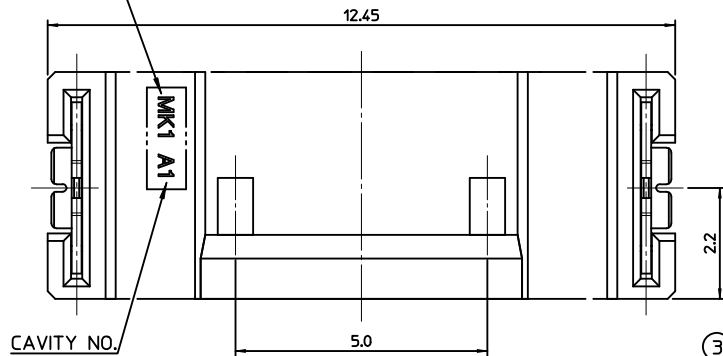
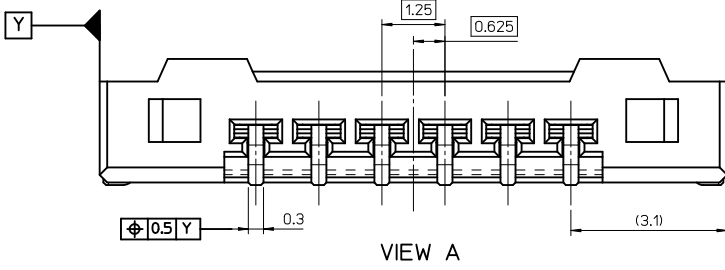


TRADE MARK



NOTE

1. MATED WITH : 104077-0600, 104077-0610
2. MATERIALS
 - ① - HEADER : LCP(E130I), GLASS FILLED, UL94V-0, HALOGEN FREE, COLOR OF NATURAL
 - ② - FITTING NAIL : PHOSPHOR BRONZE, 0.20mm THICKNESS
 - ③ - CONTACT TERMINAL : POSPHOR BRONZ,0.25mm THICKNESS
3. FINISHES
 - ② - FITTING NAIL : PURE-TIN PLATING ON OVERALL. THICKNESS 3.0μm~5.0μm UNDER PLATING Ni OVERALL. THICKNESS 1.25μm~3.75μm
 - ③ - CONTACT TERMINAL : PURE-TIN PLATING ON OVERALL. THICKNESS 3.0μm~5.0μm UNDER PLATING Ni OVERALL. THICKNESS 1.25μm~3.75μm
4. COPLANALITY OF SOLDER TAILS (PEAK TEMP. : 260°C), BEFORE & AFTER REFLOW : 0.08MAX



NEW RELEASED
 EC NO: KOR2011-0057
 DRWN:CBCHN 2010/12/02
 CHKD:SH-CHU 2010/12/02
 APPR:YUNSIKKIM 2010/12/02

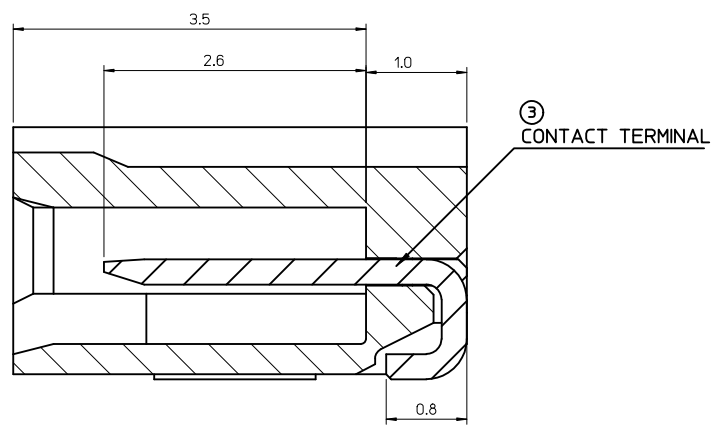
REV	DESCRIPTION
A	

QUALITY SYMBOLS	GENERAL TOLERANCES (UNLESS SPECIFIED)	
	mm	INCH
▽=0	4 PLACES ± ---	± ---
∇=0	3 PLACES ± ---	± ---
	2 PLACES ± 0.20	± ---
	1 PLACE ± 0.25	± ---
	ANGULAR ± 1 °	

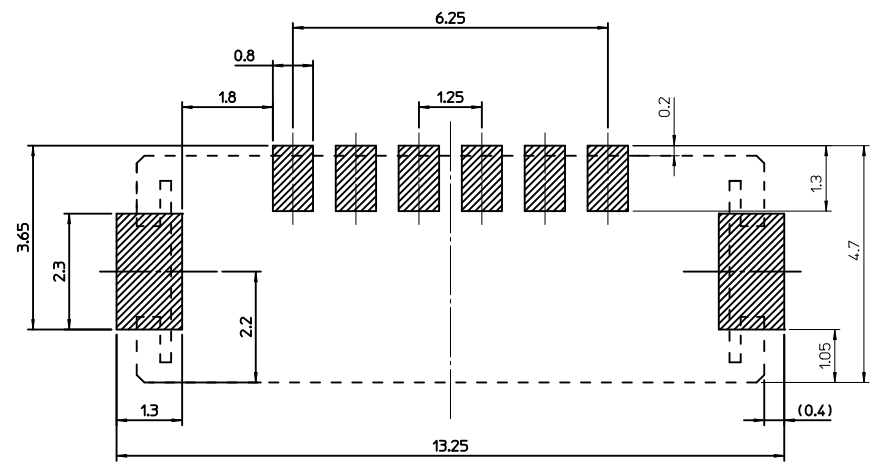
DIMENSION STYLE		SCALE
MM ONLY		10:1
DRAWN BY	DATE	TITLE
JB. JIN	2010/06/29	1.25 W-T-B CONN. HEADER ASS'Y-6P
CHECKED BY	DATE	
SH. CHU	2010/06/29	
APPROVED BY	DATE	
YS00.KIM	2010/06/29	
MATERIAL NO.	DOCUMENT NO.	
1040780610	SD-104078-001	

ORDER NUMBER	104078-0610
DESIGN UNITS	THIRD ANGLE PROJECTION
METRIC	
MOLEX INCORPORATED	
SIZE	SHEET NO.
A3	1 OF 02
THIS DRAWING CONTAINS INFORMATION THAT IS PROPRIETARY TO MOLEX INCORPORATED AND SHOULD NOT BE USED WITHOUT WRITTEN PERMISSION	

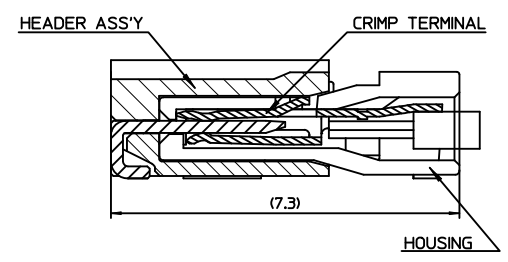
10 9 8 7 6 5 4 3 2 1



SECTION Z-Z (SCALE 20:1)



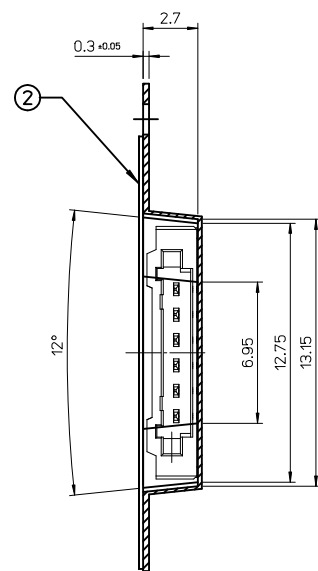
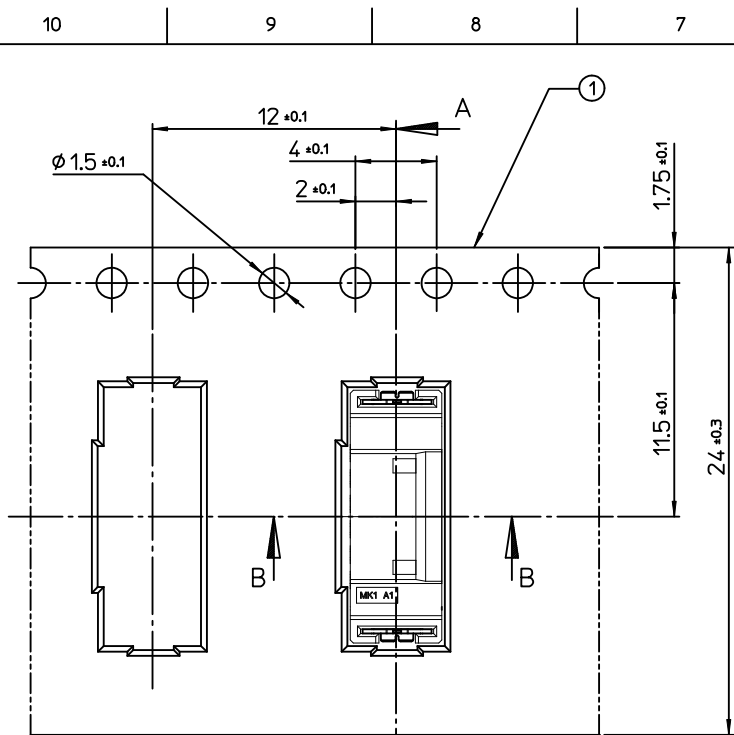
RECOMMEND PATTERN (REF.)
(GENERAL TOLERANCE ±0.05)



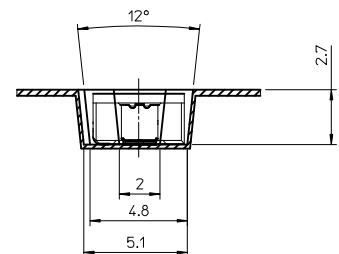
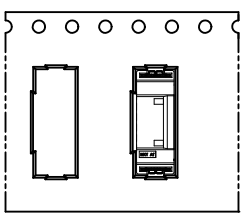
MATED CONDITION (REF.)

NEW RELEASED EC NO: KOR2011-0057 DRWN:CBCHIN 2010/12/02 CHKD:SH.CHU 2010/12/02 APPR:YUNSIKKIM 2010/12/02	QUALITY SYMBOLS ▽=0 ◻=0	GENERAL TOLERANCES (UNLESS SPECIFIED)		DIMENSION STYLE MM ONLY		SCALE 10:1	DESIGN UNITS METRIC	THIRD ANGLE PROJECTION		
			mm	INCH	DRAWN BY	DATE	TITLE 1.25 W-T-B CONN. HEADER ASS'Y-6P			
		4 PLACES	± ---	± ---	JB. JIN	2010/06/29				
		3 PLACES	± ---	± ---	CHECKED BY	DATE	MOLEX INCORPORATED			
2 PLACES	± 0.20	± ---	SH. CHU	2010/06/29						
1 PLACE	± 0.25	± ---	APPROVED BY	DATE	MATERIAL NO. 1040780610		DOCUMENT NO. SD-104078-001		SHEET NO. 2 OF 02	
DRAFT WHERE APPLICABLE MUST REMAIN WITHIN DIMENSIONS		ANGULAR ± 1 °		THIS DRAWING CONTAINS INFORMATION THAT IS PROPRIETARY TO MOLEX INCORPORATED AND SHOULD NOT BE USED WITHOUT WRITTEN PERMISSION						

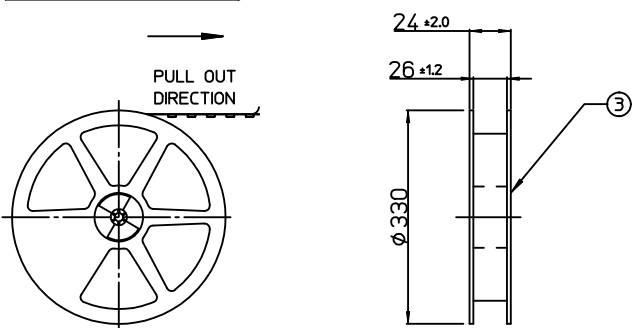
9 8 7 6 5 4 3 2 1



SECTION A-A



SECTION B-B



PLASTIC BOBBIN

NOTES

1. QUANTITY OF CONNECTORS : 2,000 PCS/REEL
2. LEAD LENGTH
3. PEELING OFF FORCE OF COVER TAPE : 0.1N~0.59N(10.2GF~60GF)
 (PEELING DIRECTION AS SHOW IN FOLLOW FIG.)
 PEELING OFF SPEED : 300mm/Min.(Ref.)
4. FLASH IN ANY PORTION SHOULD BE LESS THAN 0.20mm MAX.
5. UNLESS OTHERWISE SPECIFIED INNER R0.2 MAX
6. DRAFT ANGLE 3°MAX

3	PLASTIC BOBBIN	HI P.S	WHITE
2	COVER TAPE	PET ANTISTATIC	21.3m
1	CARRIER (EMBOSSD) TAPE	PET ANTISTATIC	
NO.	DESCRIPTION	MATERIAL	REMARK

NEW RELEASED EC NO: KOR2011-0057 DRAWN:CBCHIN 2010/12/02 CHKD:SH.CHU 2010/12/02 APPR:YUNSIKKIM 2010/12/02	QUALITY SYMBOLS	GENERAL TOLERANCES (UNLESS SPECIFIED)	DIMENSION STYLE	SCALE	DESIGN UNITS	THIRD ANGLE PROJECTION
	DESCRIPTION	mm INCH	MM ONLY	4:1	METRIC	

4 PLACES ± --- ± ---	3 PLACES ± --- ± ---	2 PLACES ± 0.25 ± ---	1 PLACE ± 0.25 ± ---	ANGULAR ± 3 °
DRAFT WHERE APPLICABLE MUST REMAIN WITHIN DIMENSIONS				

DRAWN BY	DATE	CHECKED BY	DATE	APPROVED BY	DATE
JB. JIN	2010/06/29	SH. CHU	2010/06/29	YS00.KIM	2010/06/29
MATERIAL NO.	1040780610				

ORDER NO.	104078-0610
TITLE	1.25 W-T-B CONN. HEADER ASS'Y-6P EMBOSSD PACKAGE
MOLEX INCORPORATED	
DOCUMENT NO.	SD-104078-002
SHEET NO.	1 OF 01