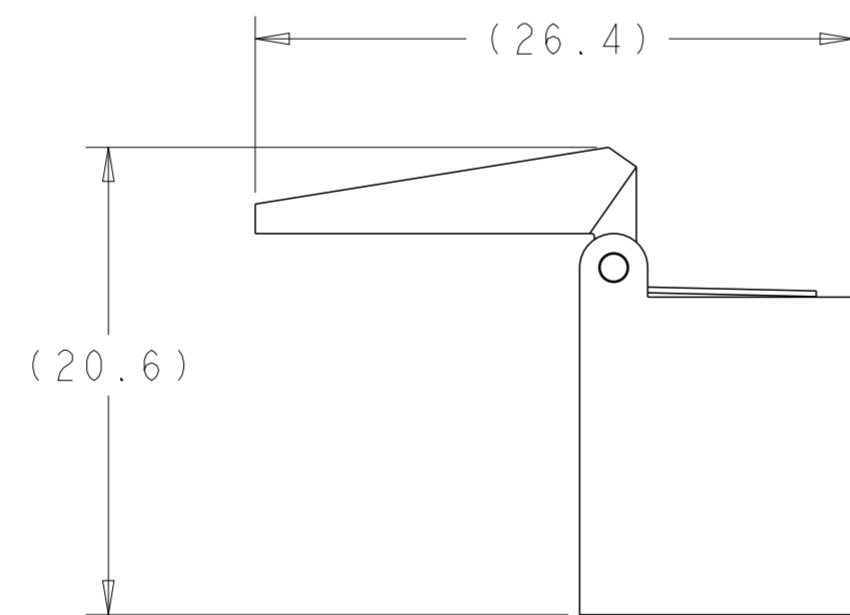
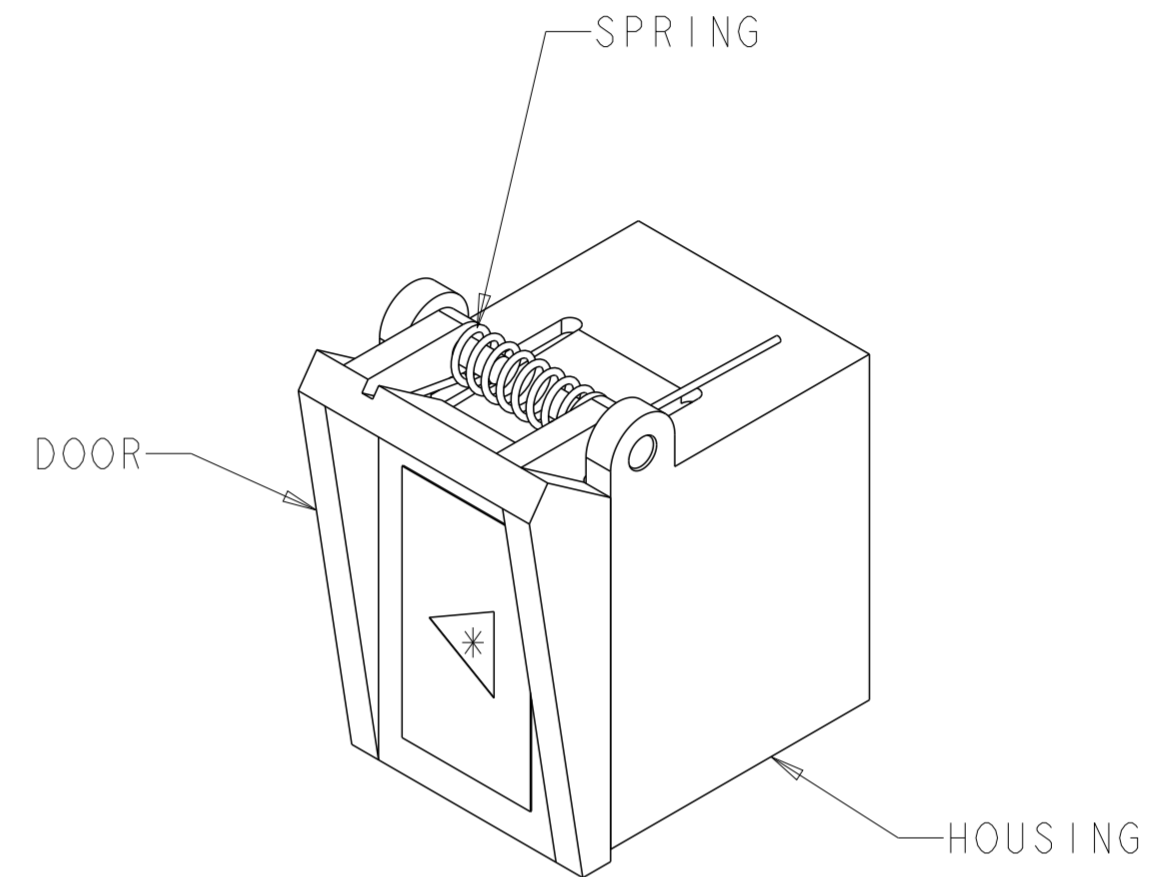
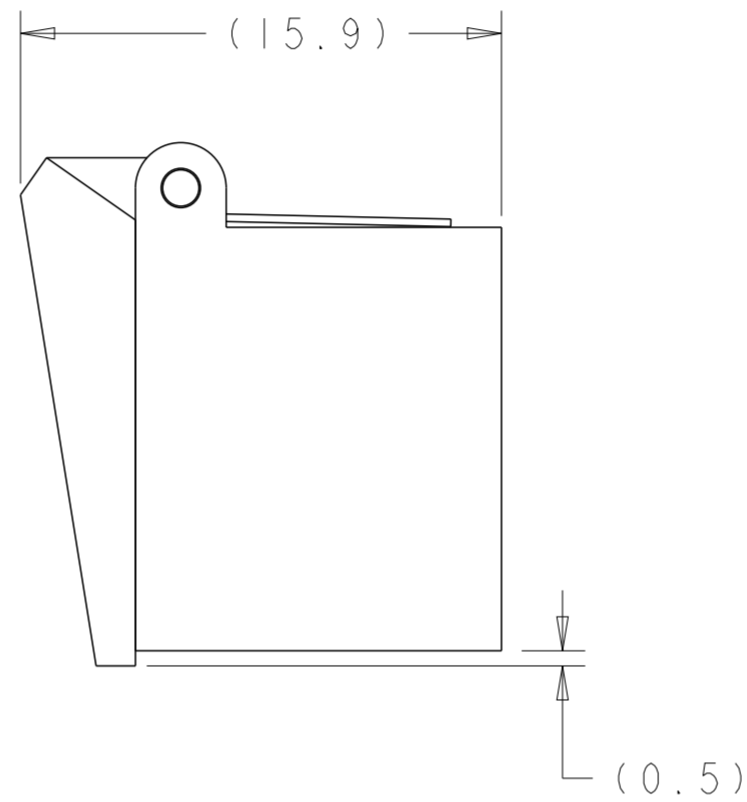
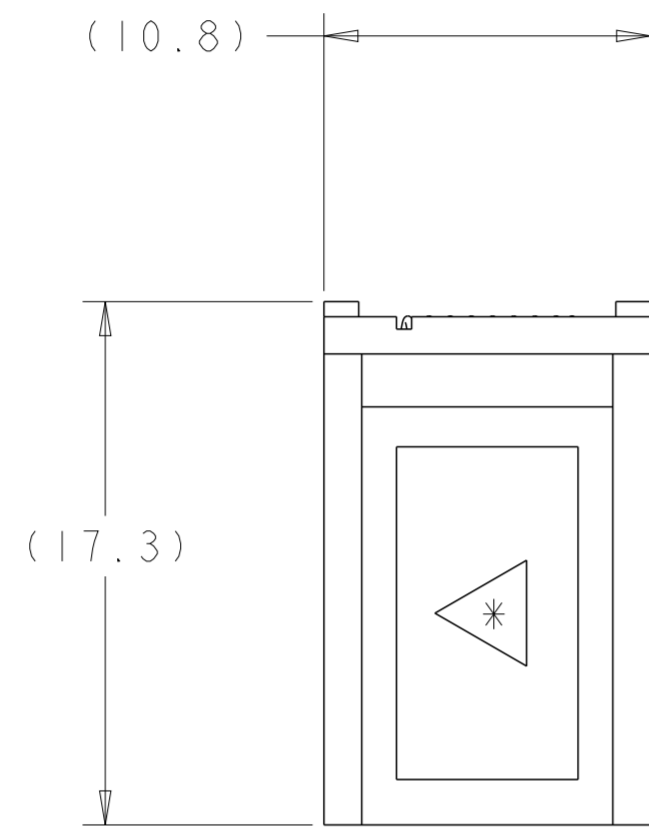


P	LTR	DESCRIPTION	DATE	DWN	APVD
	CI	ECR-22-158610	05DEC2022	JL	WH



DOOR OPEN VIEW

**OBSOLETE**

GREEN	1693539-3
BEIGE	1693539-2
BLUE	1693539-1
COLOR	PART NUMBER

⚠ MATERIAL:  
 HOUSING AND DOOR: PBT, UL94 V-0 RATED AT QUALIFYING THICKNESS  
 SPRING: STAINLESS STEEL

THIS DRAWING IS A CONTROLLED DOCUMENT.		DWN MDL 08MAY2003	<b>STE</b> TE Connectivity	
DIMENSIONS: mm		CHK MDL 08MAY2003		
TOLERANCES UNLESS OTHERWISE SPECIFIED:		APVD SB 08MAY2003	NAME COVER, RETRACTABLE, SC ADAPTER, SIMPLEX	
0 PLC ±.15		PRODUCT SPEC -	SIZE CAGE CODE DRAWING NO RESTRICTED TO	
1 PLC ±0.15		APPLICATION SPEC -	A200779 C-1693539	
2 PLC ±0.08		WEIGHT -	SCALE 3:1 SHEET OF REV CI	
3 PLC ±0.050		CUSTOMER DRAWING		
4 PLC ±				
ANGLES ±1/2				
FINISH -				
MATERIAL material_2				
finish_spec_2				