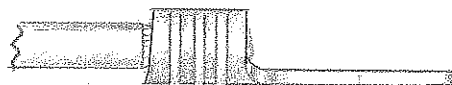
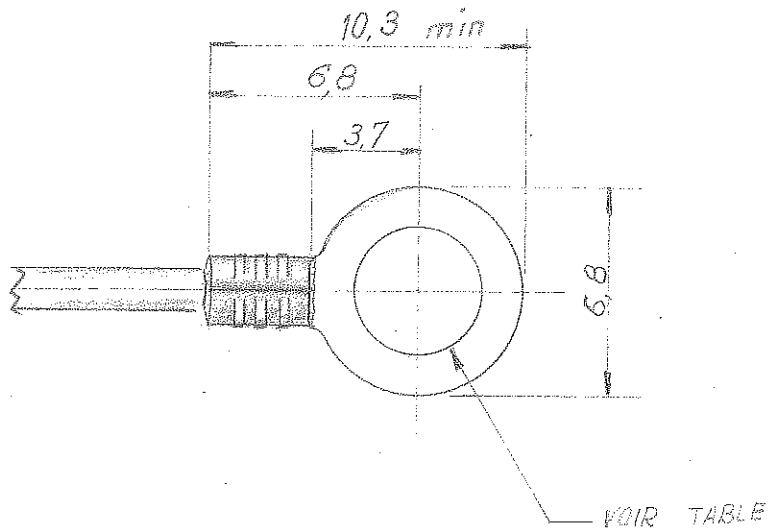


C 140 631 - 36

USED ON



EPAN : 0,5

A - LAITON -
A2 - LAITON ETAME

(B) ①

REV.	REVISIONS	DATE	BY	N.D.C.	CLASS	TYPE	WIRE SIZE	EXCEPT AS NOTED:	SHOW PT. NO. IN AREA MARKED "X"
140 764	A3	# 6	3,5	145					
140 636	A2	# 8	4	170 (4,3)					
140 635	A	# 8	4	170 (4,3)					
140 634	A2	# 6	3,5	145 (3,7)					
140 633	A	# 6	3,5	145 (3,7)					
140 632	A2	# 4	3	119 (3,02)					
140 631	A	# 4	3	119 (3,02)					
N°	MAT.	STUD SIZE	STUD mm	"D" ± .000					

COSSE A PLAGGE RONDE

CLASS W.T.S.

TYPE Automatique

WIRE SIZE 20-16

EXCEPT AS NOTED:

TOLERANCES

DECIMALS ± .005

ANGLES ± 1/2°

FRACTIONS ± 1/64

SHOW PT. NO. IN AREA MARKED "X"
BREAK ALL SHARP EDGES

SOCIÉTÉ AMP DE FRANCE

SCALE

4/1

NUMBER

C 140 631 - 36

REV.

(B) ①

STA. NO.	ALT.
1	
2	
3	
4	
5	
6	
7	
8	
9	
10	
11	
12	
13	
14	
15	
16	
17	
18	
19	
20	
21	

22	
23	
24	
25	

DR. <i>Lausdorp</i>	7-2-58	D. E.	
CK.		P. T. E.	
REL.			

A/B