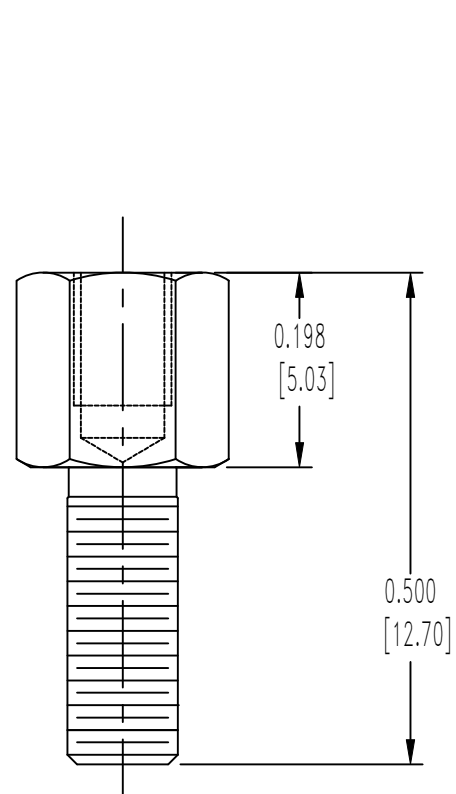


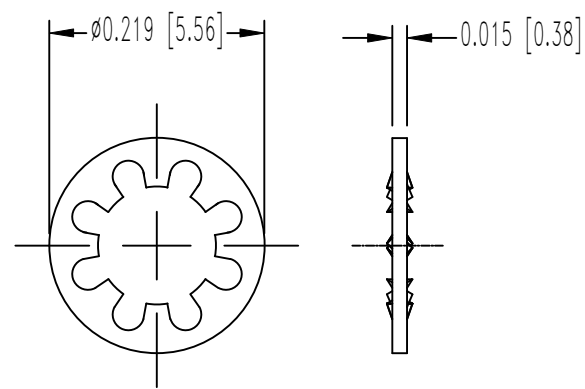
THIS DRAWING CONTAINS INFORMATION PROPRIETARY TO POSITRONIC AND ITS SUBSIDIARIES. POSITRONIC BELIEVES THE DATA ON THIS DRAWING TO BE RELIABLE, SINCE THE TECHNICAL INFORMATION IS GIVEN FREE OF CHARGE, THE USER EMPLOYS SUCH INFORMATION AT HIS OWN DISCRETION AND RISK. POSITRONIC ASSUMES NO RESPONSIBILITY FOR RESULTS OBTAINED OR DAMAGES INCURRED FROM USE OF SUCH INFORMATION IN WHOLE OR IN PART.

| DATE | REV | REVISION RECORD | APP | DR | CK |
|---------|-----|-----------------|------|----|------|
| 1-12-15 | NC | ECO 45491 | COLE | MP | COLE |
| | | | | | |
| | | | | | |

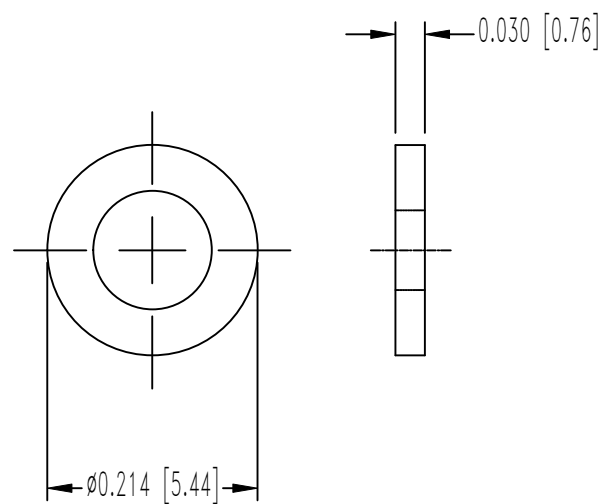
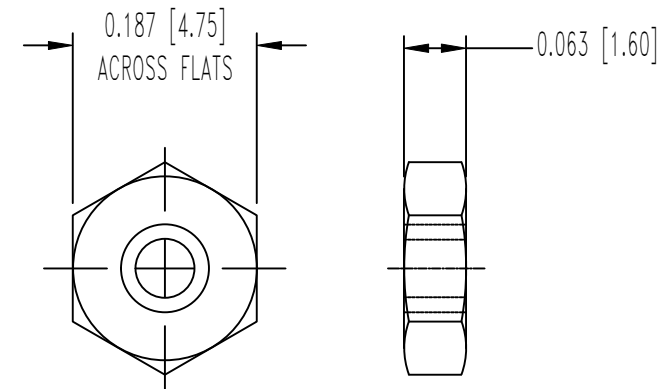


2X T2 JACKSCREWS

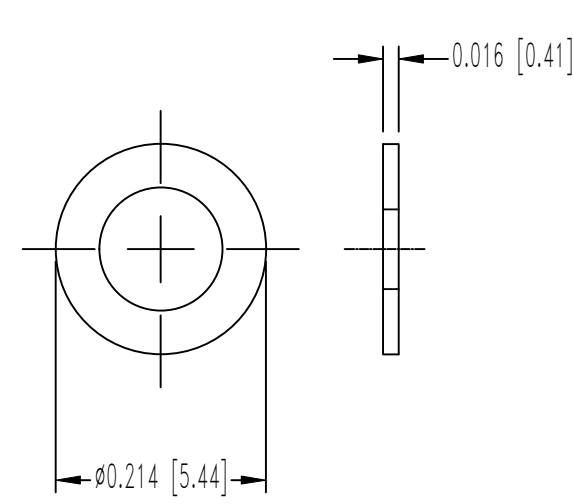
2X LOCKWASHER



2X HEX NUT



2X WASHER



2X WASHER

NOTES:

1. MATERIALS AND FINISHES:

JACKSCREWS: BRASS, 0.000050 [1.27μ] GOLD OVER COPPER PLATE.

HEX NUTS: BRASS, 0.000050 [1.27μ] GOLD OVER COPPER PLATE.

LOCKWASHERS: BRONZE, 0.000050 [1.27μ] GOLD OVER COPPER PLATE.

WASHERS: BRASS, 0.000050 [1.27μ] GOLD OVER COPPER PLATE.

2. DETAILED PRODUCT, MECHANICAL, AND ELECTRICAL INFORMATION IS AVAILABLE IN THE LATEST SPACE D PRODUCT PUBLICATION. VISIT

CONNECTPOSITRONIC.COM/PRODUCTS/62/HIGHPERFORMANCE-D-SUBMINIATURE OR CONNECTPOSITRONIC.COM.

3. PARTS ARE COMPLIANT TO THE CURRENT ROHS DIRECTIVE.

4. DIMENSIONS ARE IN INCHES [MILLIMETERS].

| | | | |
|-------------------------------|--|---------------------------|---------------------|
| | POSITRONIC INDUSTRIES INC. www.connectpositronic.com | | FSCM 28198 |
| | SCALE N.T.S. | DRAWN BY MP | APPROVED BY COLE |
| DECIMAL TOL. ±0.015 (0.38) | TITLE SND SERIES SND00000T2G/AA | | |
| ANGULAR TOL. ±5° | DATE 1-12-15 | DRAWING NUMBER SK16871 | REV. NC |