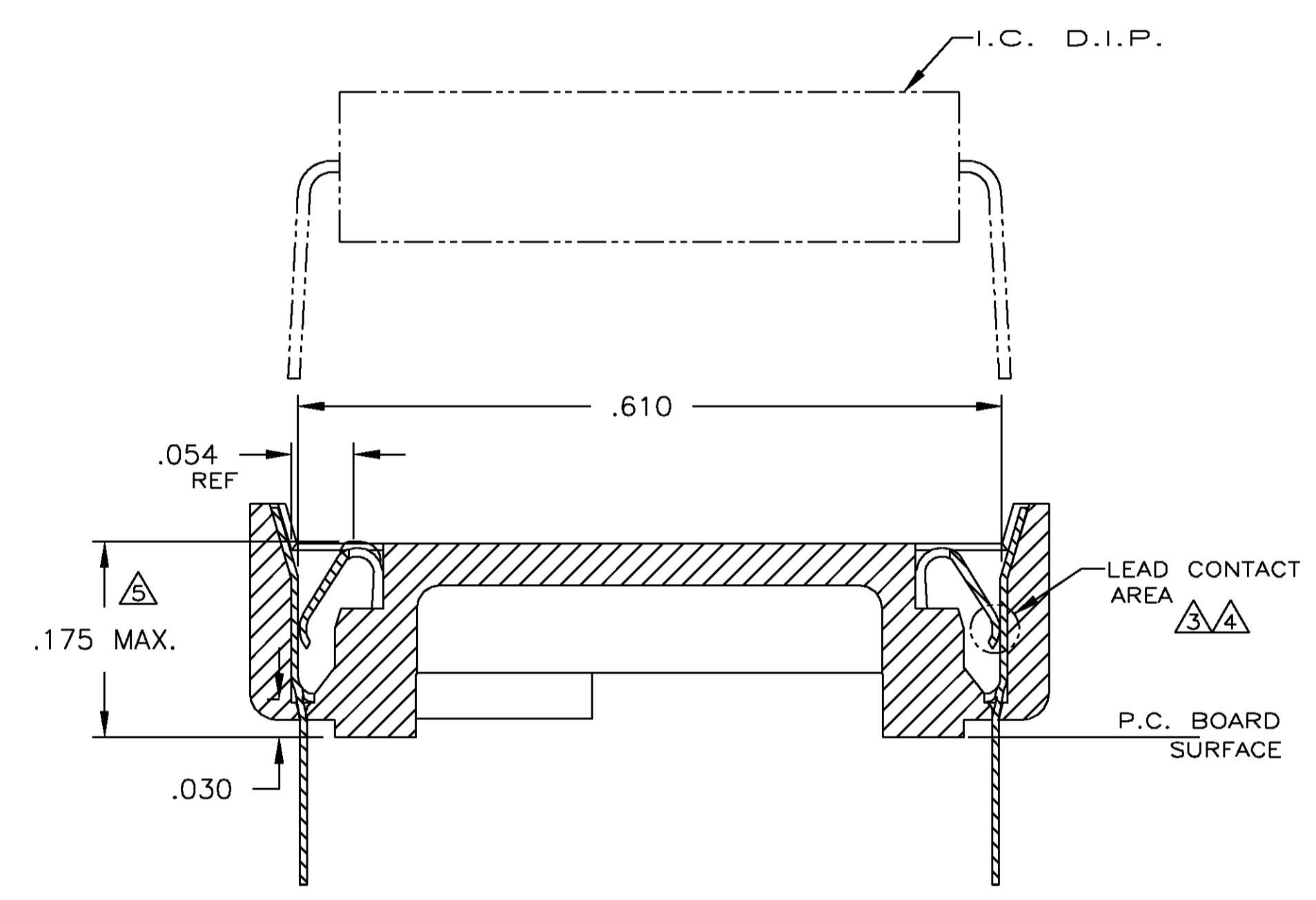
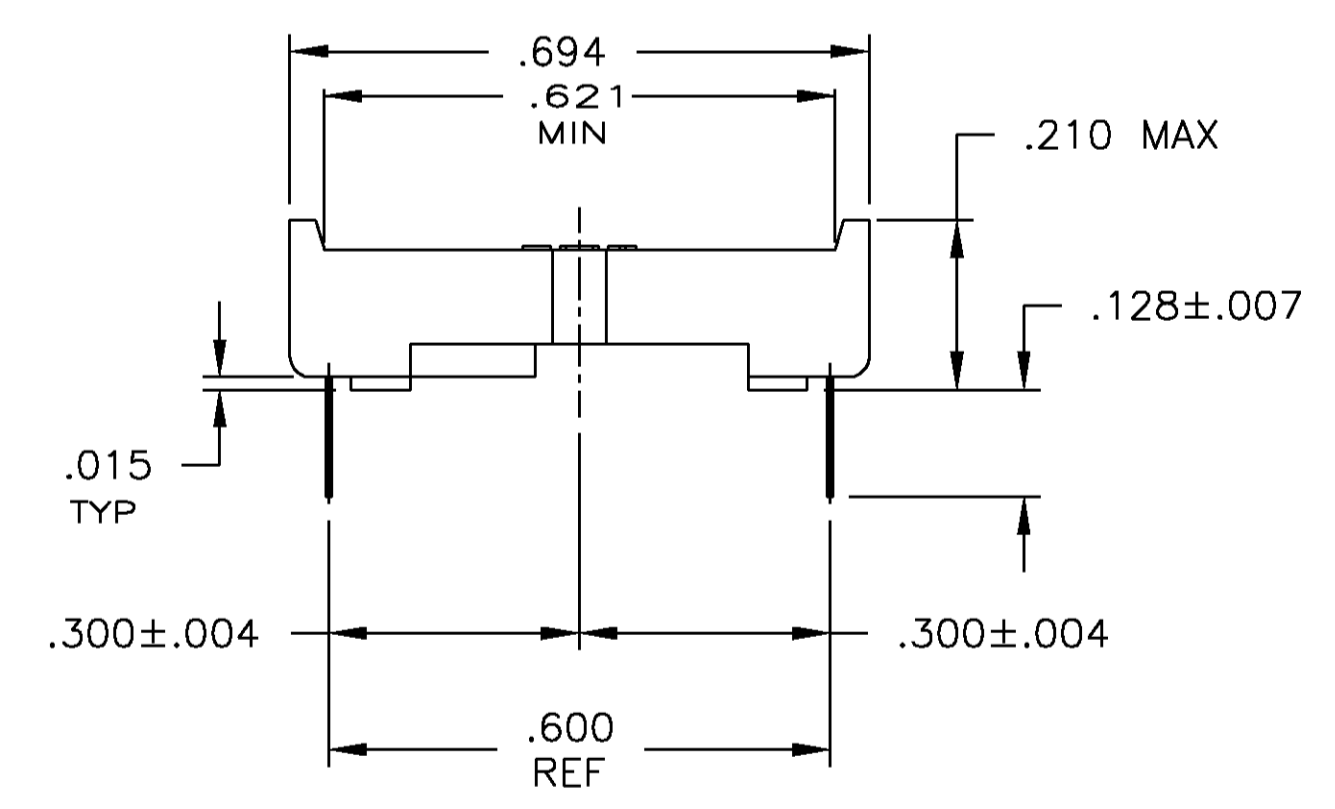
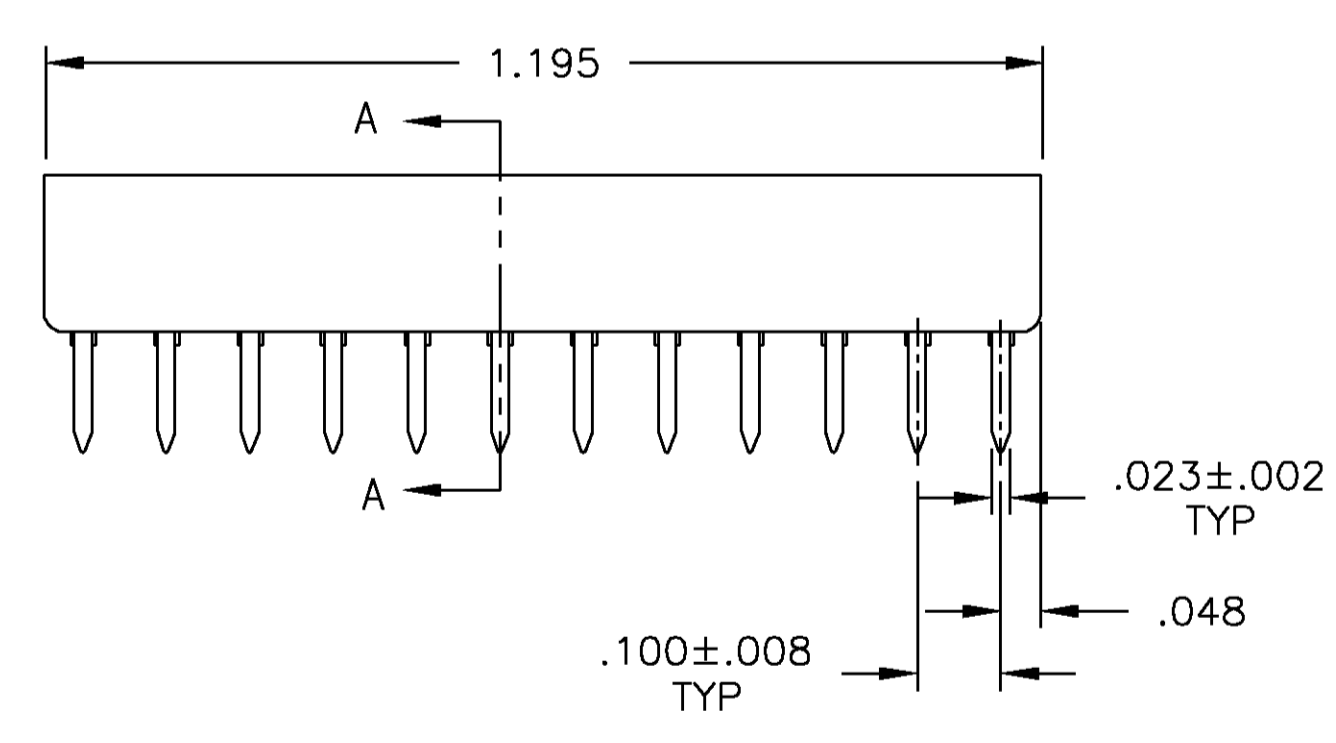
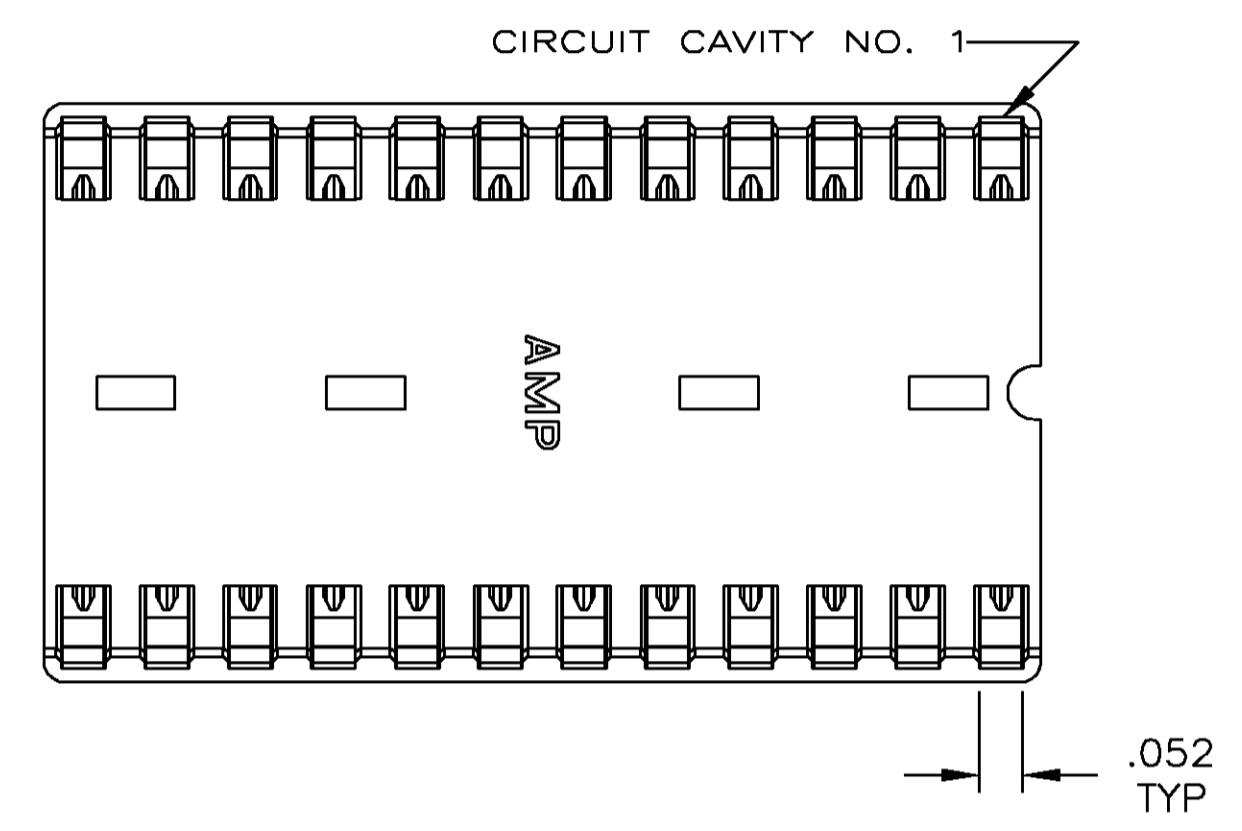


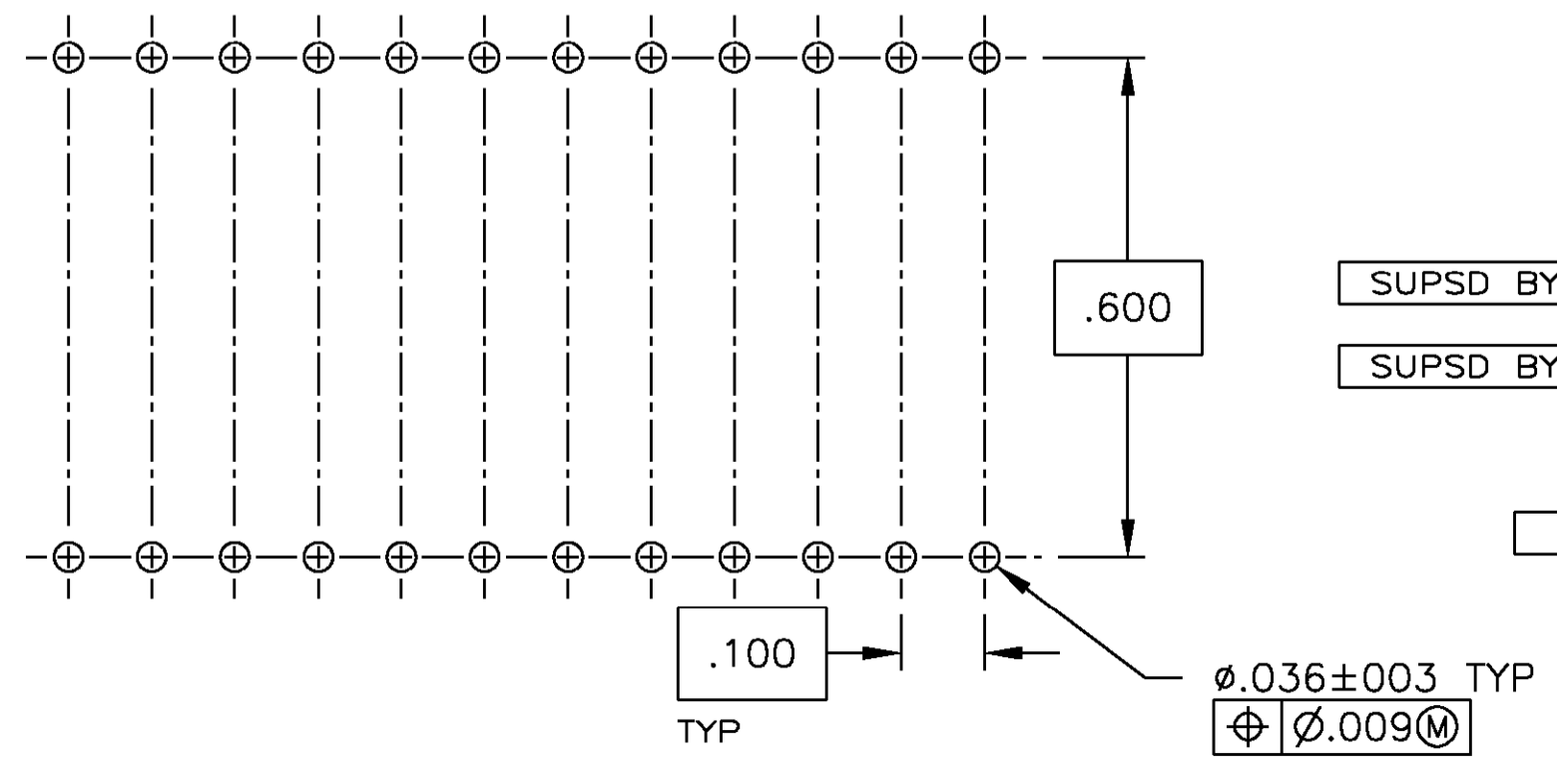
THIS DRAWING IS UNPUBLISHED. RELEASED FOR PUBLICATION  
 © COPYRIGHT BY TYCO ELECTRONICS CORPORATION. ALL RIGHTS RESERVED.

LOC		DIST		REVISIONS			
P	LN	DESCRIPTION	DATE	BY	APPD		
AD	0	AB	REV PER 0G3C-0198-99	23AUG00	BH	HW	

- 1. RECEPTACLE ACCEPTS A .008-.014 THICK I.C. LEAD.
- ① TUBE LOADED FOR AUTOMATIC INSERTION.
- ② TWO .000030 MIN THK. GOLD STRIPES IN CONTACT AREA WITH TIN-LEAD (93/7) ON CONTACT LEGS, BALANCE OF CONTACT NICKEL PLATED.
- ③ TWO .000015 MIN THK. GOLD STRIPES IN CONTACT AREA WITH TIN-LEAD (93/7) ON CONTACT LEGS, BALANCE OF CONTACT NICKEL PLATED.
- ④ MAXIMUM DIMENSION FOR I.C. SEATING PLANE.



SECTION A-A  
SCALE 10:1



RECOMMENDED MOUNTING HOLE PATTERN  
SCALE 4:1

SUPSD BY	CONTACT FINISH	CONTACT MAT'L	HOUSING MATERIAL	PART NO.
SUPSD BY 390262-1	TINNED	PHOS.BRZ. .006 THK	GLASS-FILLED THERMOPLASTIC, 94V-0, BLACK	① 2-640361-4
SUPSD BY 390262-1	TINNED	BE.CU. .006 THK	GLASS-FILLED THERMOPLASTIC, 94V-0, BLACK	② 2-640361-3
	TINNED	PHOS.BRZ. .006 THK	GLASS-FILLED THERMOPLASTIC, 94V-0, BLACK	③ 2-640361-2
	TINNED	BE.CU. .006 THK	GLASS-FILLED THERMOPLASTIC, 94V-0, BLACK	④ 2-640361-1
	TINNED	PHOS.BRZ. .006 THK	GLASS-FILLED THERMOPLASTIC, 94V-0, BLACK	640361-4
	TINNED	BE.CU. .006 THK	GLASS-FILLED THERMOPLASTIC, 94V-0, BLACK	640361-3
	TINNED	PHOS.BRZ. .006 THK	GLASS-FILLED THERMOPLASTIC, 94V-0, BLACK	640361-2
	TINNED	BE.CU. .006 THK	GLASS-FILLED THERMOPLASTIC, 94V-0, BLACK	640361-1

THIS DRAWING IS A CONTROLLED DOCUMENT.		DRW: M.CYRUS 28 FEB 87	AMP Tyco Electronics Corporation Harrisburg, PA 17105
		CHK: R.MILLER 20 FEB 87	
		APPD: J.LAMBERT 28 FEB 87	SOCKET ASSY, DIP, 24 POS, DIPLOMATE DL
		PRODUCT SPEC: 108-1066	
		APPLICATION SPEC: 114-1049	RESTRICTED TO
		SIZE: A1 00779	
		CUSTOMER DRAWING	SCALE: 5:1 SHEET 1 OF 1 REV AB