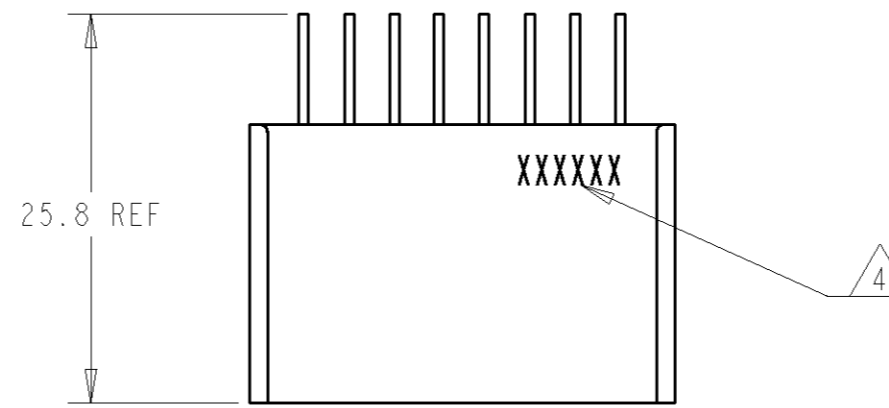
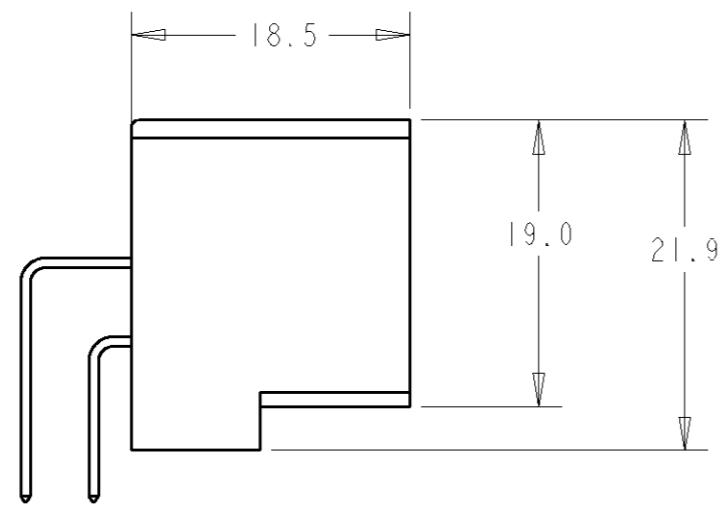
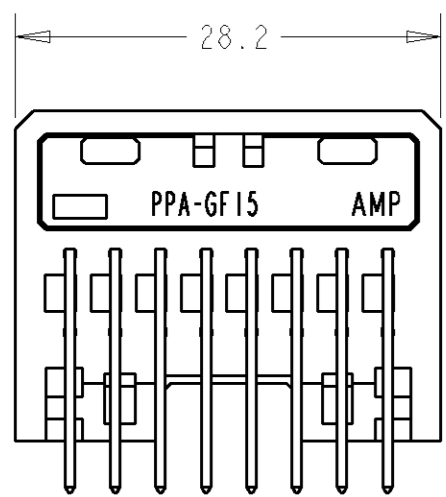
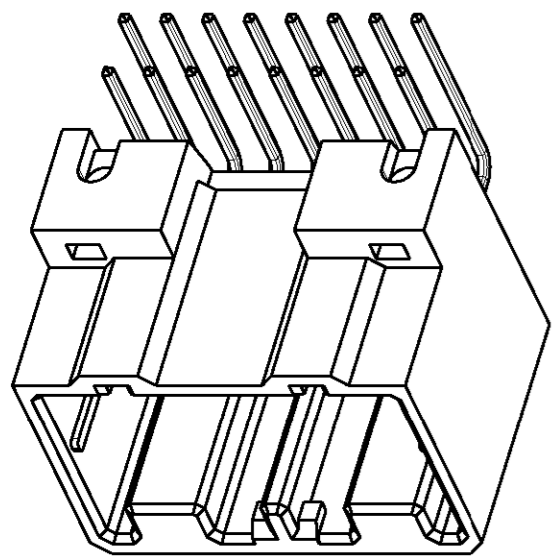
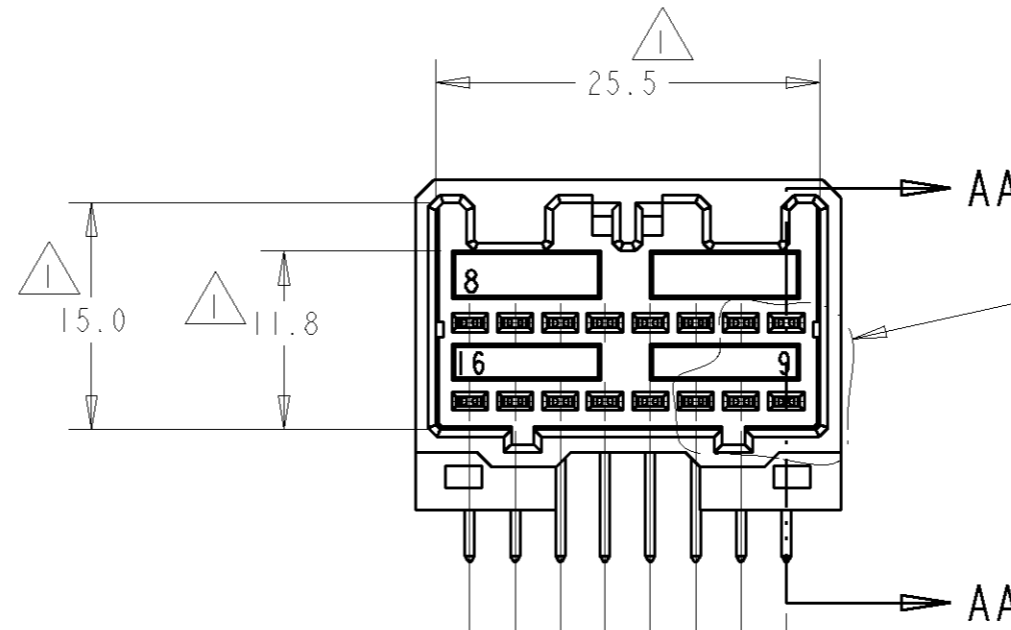


THIS DRAWING IS UNPUBLISHED. RELEASED FOR PUBLICATION .19
 © COPYRIGHT BY AMP INCORPORATED. ALL RIGHTS RESERVED.

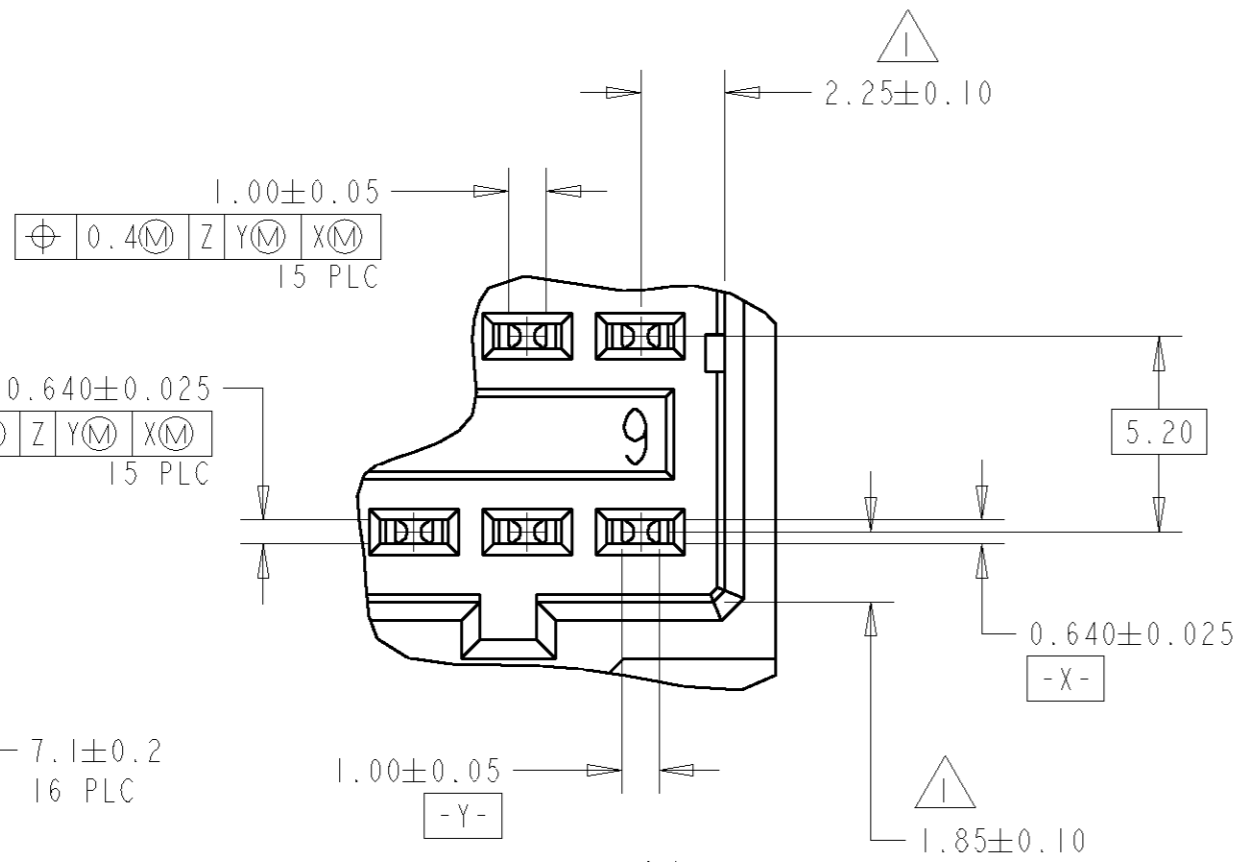
LOC	DIST	REVISIONS					
		P	LTR	DESCRIPTION	DATE	DWN	APVD
FX	00	0		RELEASED PER EC 0K80-0150-99	16NOV99	JRB	RAS
		01		REVISED PER EC 0K80-0171-04	12MAY2004	DLD	RMC



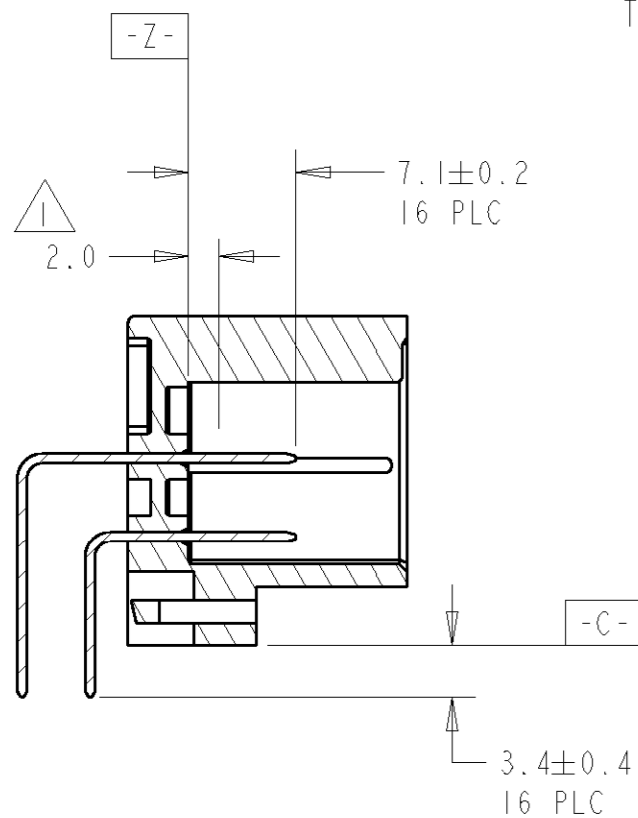
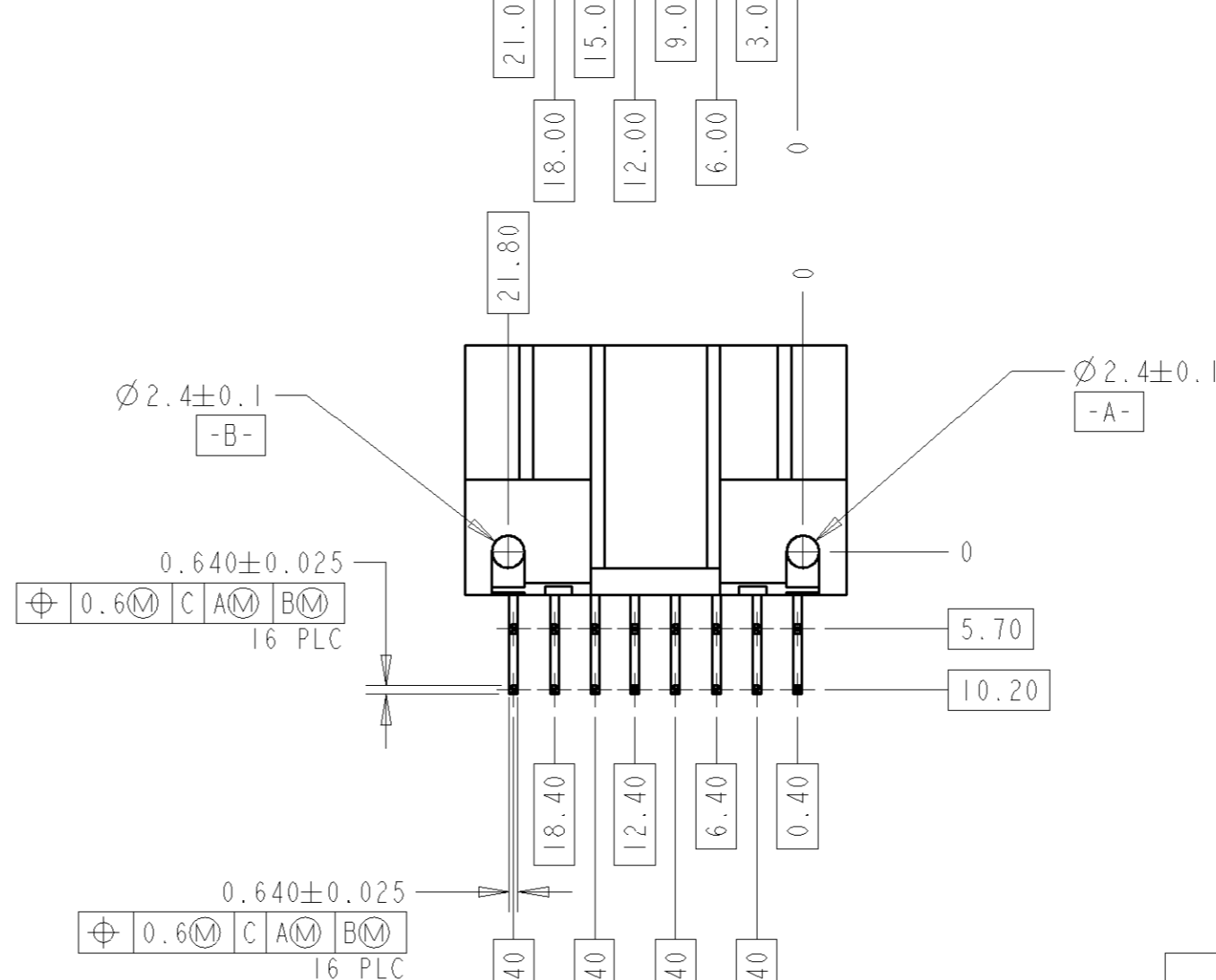
- 1 DIMENSION MUST BE HELD BETWEEN -Z- AND 2mm FROM -Z- (EXCLUDING CHAMFER)
- 2 DATUMS AND BASIC DIMENSIONS ESTABLISHED BY CUSTOMER
- 3. THE MATING PLUG PART NUMBER IS 917983
- 4 DATE CODE
- 5. RECOMMENDED MOUNTING SCREW, 3mm DIA., 6mm LENGTH MAX., PAN HEAD, CLASS 2 TAPPING SCREW, SPECIFIED IN JIS B1115, B1122. MAXIMUM TORQUE: 4kg-cm



SEE DETAIL AA



DETAIL AA
SCALE 5:1



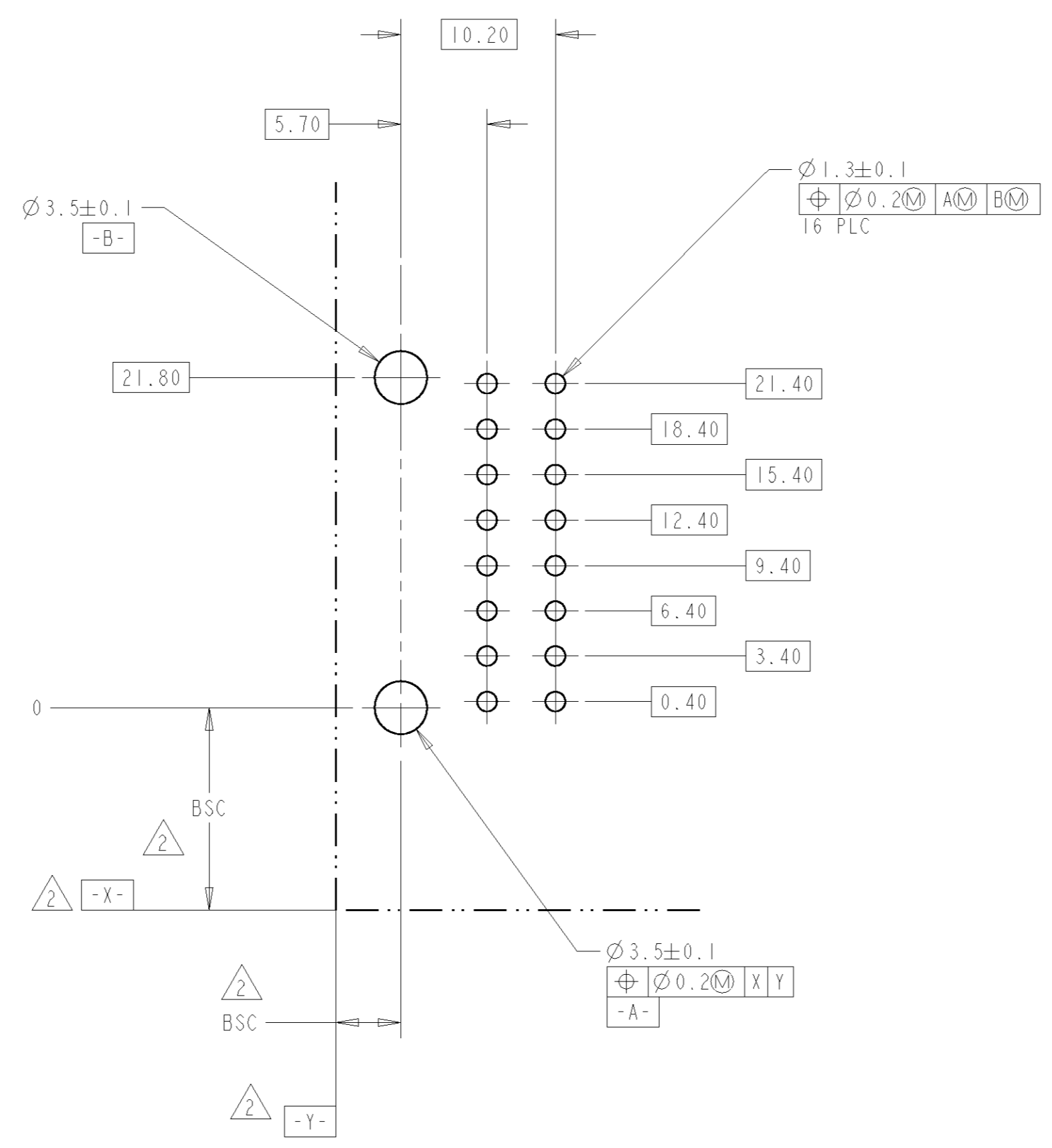
SECTION AA-AA
(.040 TABS)

DIMENSIONS:		TOLERANCES UNLESS OTHERWISE SPECIFIED:	
mm		0 PLC	±
		1 PLC	±0.3
		2 PLC	±0.15
		3 PLC	±
		4 PLC	±
		ANGLES	±°
		FINISH	
MATERIAL	SEE TABLE		

POST TIN	BRASS	BLACK	HTN	9-638264-2	
CONTACT FINISH	CONTACT MATERIAL	COLOR	HOUSING MATERIAL	PART NUMBER	
DWN Y. PETERSON	11 JUN 99	AMP Tyco Electronics Harrisburg, PA 17105-3608 NAME ASSEMBLY, HORIZONTAL MOUNT, 16 POSITION, 040 HYBRID			
CHK R. SMITH	11 JUN 99				
APVD R. SMITH	11 JUN 99				
PRODUCT SPEC	108-5342				
APPLICATION SPEC	-	SIZE	CAGE CODE	DRAWING NO	RESTRICTED TO
WEIGHT	7.16g	A2	00779	C-638264	-
CUSTOMER DRAWING	SCALE	2:1	SHEET	1	OF 2
					REV 01

THIS DRAWING IS UNPUBLISHED. RELEASED FOR PUBLICATION .19
 BY AMP INCORPORATED. ALL RIGHTS RESERVED.

LOC	DIST	REVISIONS			
P	LTR	DESCRIPTION	DATE	DWN	APVD
FX	00	-	SEE SHEET 1	-	-



P.C. BOARD LAYOUT
 CONNECTOR SIDE
 (RECOMMENDED BOARD THICKNESS 1.57mm)

<small>THIS DRAWING IS A CONTROLLED DOCUMENT FOR AMP INCORPORATED. IT IS SUBJECT TO CHANGE AND THE CONTROLLING ENGINEERING ORGANIZATION SHOULD BE CONTACTED FOR THE LATEST REVISION.</small>		DWN Y. PETERSON 11JUN99 CHK R. SMITH 11JUN99 APVD R. SMITH 11JUN99	AMP Tyco Electronics Harrisburg, PA 17105-3608
DIMENSIONS: mm 	TOLERANCES UNLESS OTHERWISE SPECIFIED: 0 PLC \pm 1 PLC ± 0.3 2 PLC ± 0.15 3 PLC \pm 4 PLC \pm ANGLES \pm FINISH -	NAME ASSEMBLY, HORIZONTAL MOUNT, 16 POSITION, 040 HYBRID PRODUCT SPEC - APPLICATION SPEC - WEIGHT -	SIZE A2 CAGE CODE 00779 DRAWING NO. C-638264 RESTRICTED TO -
MATERIAL -		CUSTOMER DRAWING SCALE 2:1 SHEET 2 OF 2 REV 01	