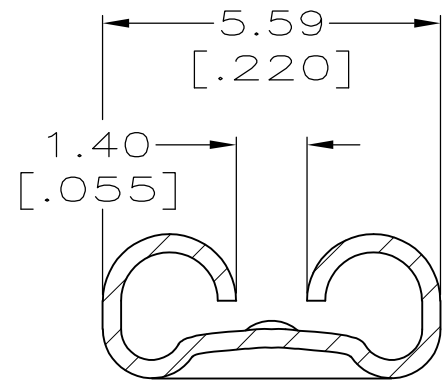
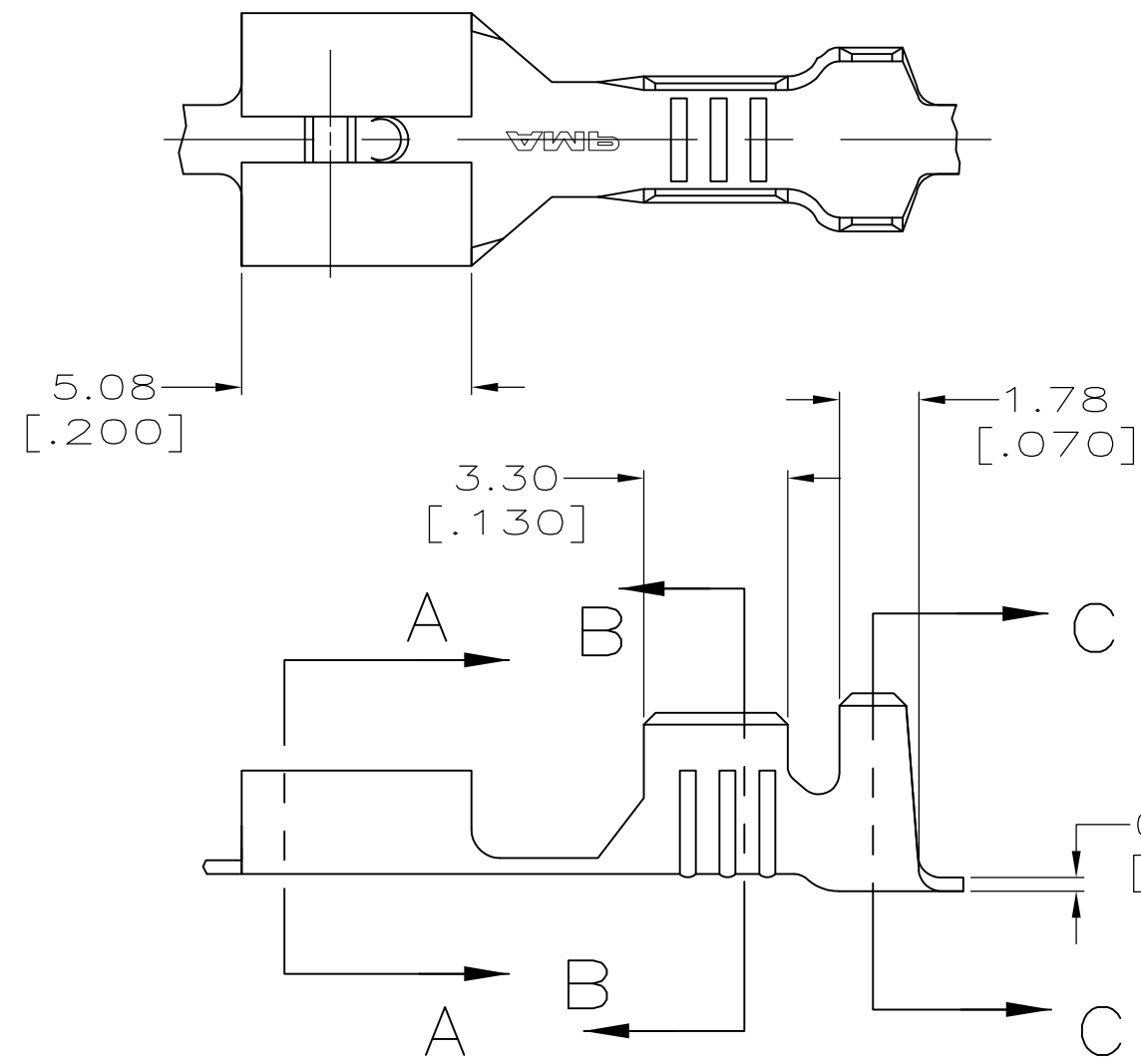
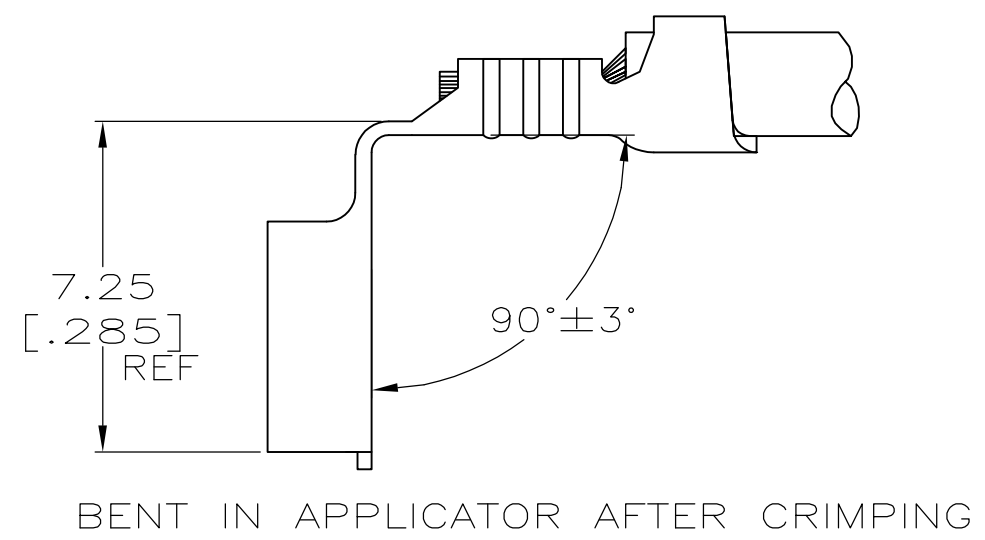
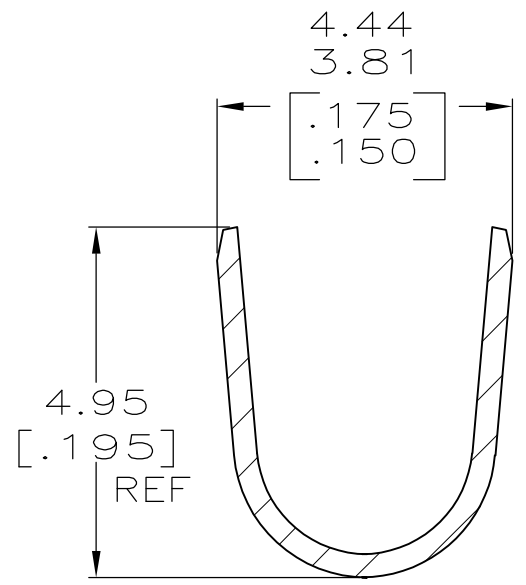
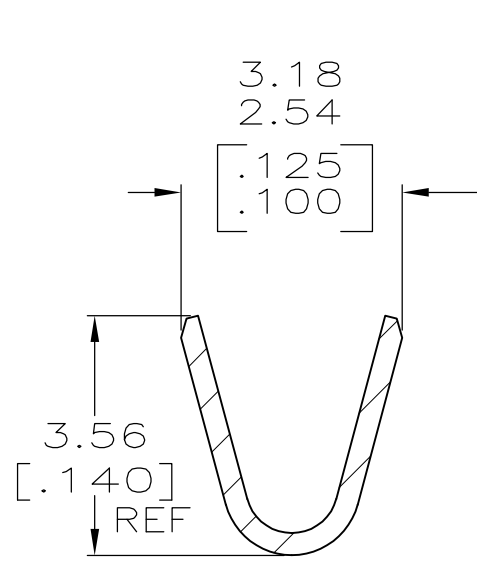


THIS DRAWING IS UNPUBLISHED. RELEASED FOR PUBLICATION
 © COPYRIGHT - By - ALL RIGHTS RESERVED.

LOC	DIST	REVISIONS			
P	LTR	DESCRIPTION	DATE	DWN	APVD
AF	50	B	REVISED PER ECR-12-013518	26NOV2012	KH PD



- CONTINUOUS STRIP ON REELS
- MATING TAB THK TO BE 0.81 ± 0.025 $[\.032 \pm .001]$.
- WIRE SIZE IS $[\#20-\#16]$ AWG.
- INSULATION RANGE IS 2.29-3.30 $[\.090-.130]$ DIA.



1217112-1
PART NO.

THIS DRAWING IS A CONTROLLED DOCUMENT.		DWN	JR RUTH	10/8/98	TE Connectivity			
DIMENSIONS: mm [INCHES]		CHK	P FORTNEY	10/8/98				
TOLERANCES UNLESS OTHERWISE SPECIFIED:		APVD	P DESANTIS	10/8/98	NAME			
0 PLC ± - 1 PLC ± - 2 PLC ± 0.25 [.010] 3 PLC ± - 4 PLC ± - ANGLES ± -		PRODUCT SPEC		RECEPTACLE, FASTON, 4.75 [.187] SERIES				
MATERIAL: BRASS		APPLICATION SPEC		SIZE: A3		CAGE CODE: 00779	DRAWING NO: C-1217112	RESTRICTED TO: -
FINISH: -		WEIGHT: -		CUSTOMER DRAWING		SCALE: 6:1	SHEET: 1 OF 1	REV: B