

4

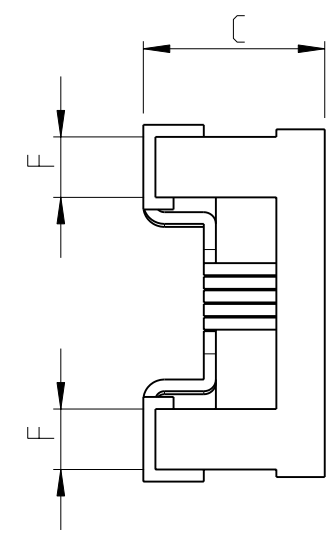
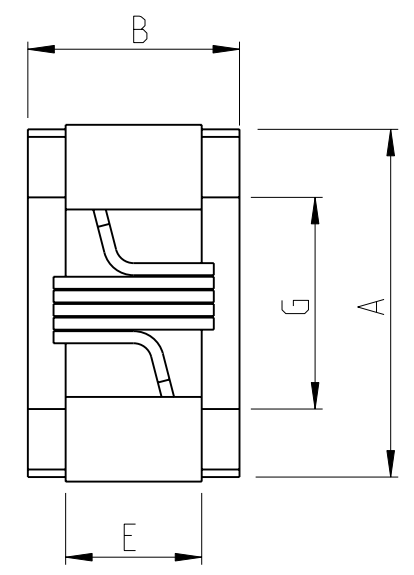
3

2

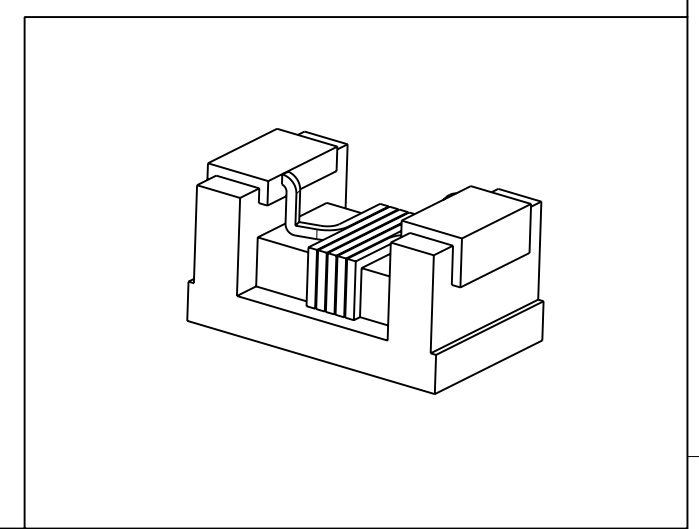
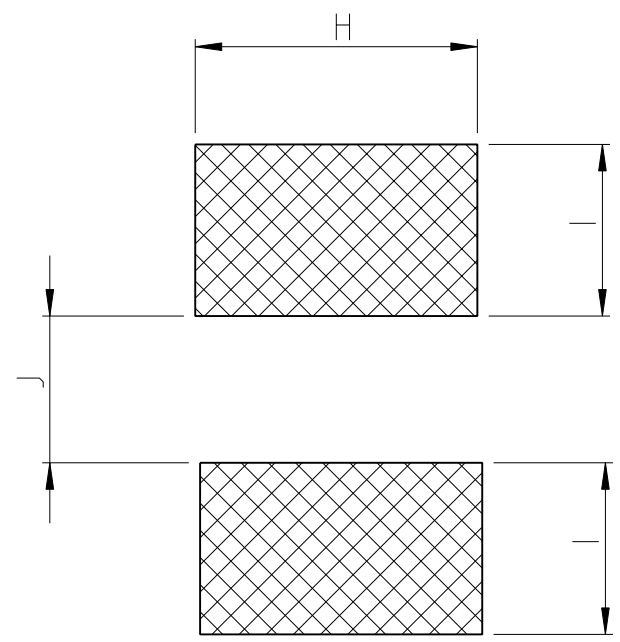
1

THIS DRAWING IS UNPUBLISHED. RELEASED FOR PUBLICATION 20
 © COPYRIGHT 20 BY - ALL RIGHTS RESERVED.


LOC		DIST		REVISIONS			
P	LTR	DESCRIPTION		DATE	DWN	APVD	
-	-	BA	NEW DRAWING	24APR2012	KR	ST.P	



FOR FURTHER INFORMATION SEE DATA SHEET FOR
 3650 SERIES-LOW INDUCTANCE,HIGH FREQUENCY CHIP INDUCTOR



SERIES	A Max.	B Max.	C Max.	E	F	G	H	I	J
3654 1E	1.15	0.70	0.60	0.45	0.20	0.60	0.65	0.35	0.50

THIS DRAWING IS A CONTROLLED DOCUMENT.		DWN RAGHAVENDRA K 24APR2012	 TE Connectivity	
DIMENSIONS: mm		CHK ALLAN P 24APR2012		
TOLERANCES UNLESS OTHERWISE SPECIFIED:		APVD STEPHEN.P 24APR2012	NAME -	
0 PLC ±-		PRODUCT SPEC	CHIP INDUCTOR TYPE 3654 0201 SERIES	
1 PLC ±0.5		APPLICATION SPEC	-	
2 PLC ±0.2		WEIGHT	SIZE	RESTRICTED TO
3 PLC ±0.1		0.001 GRAM	A3	-
4 PLC ±0.0001		CUSTOMER DRAWING	CAGE CODE	DRAWING NO
ANGLES ±		SCALE	00779	©=2176086
FINISH		32:1	SHEET	1 OF 1
-		REV	BA	