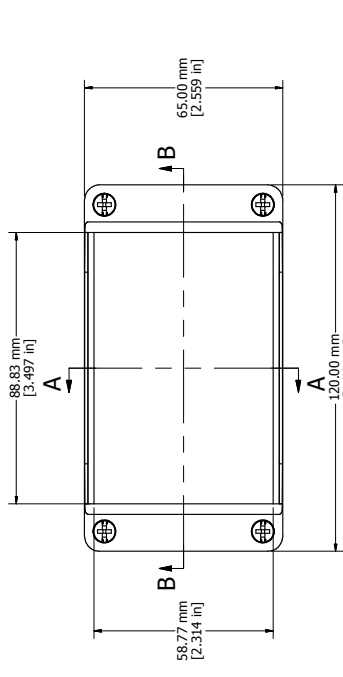
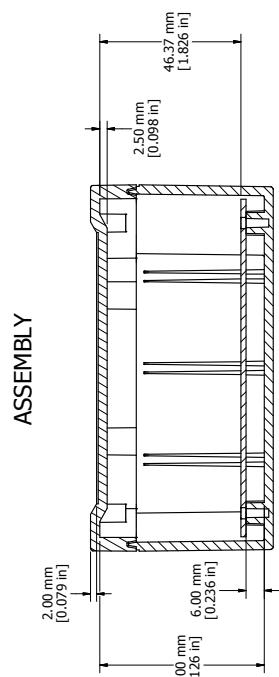


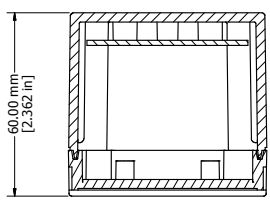
1 2 3 4 5 6 7 8



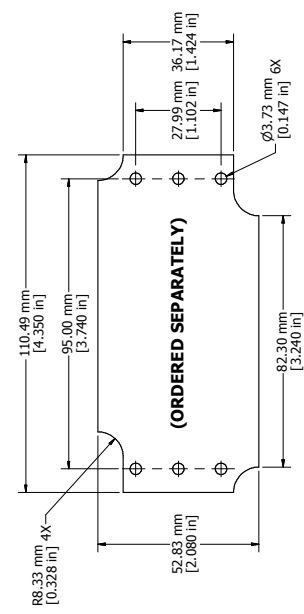
ASSEMBLY



SECTION B-B

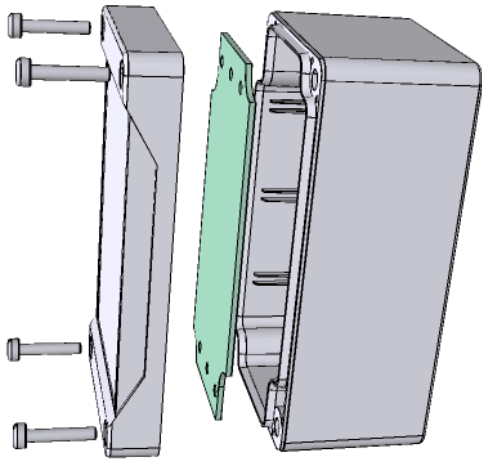


SECTION A-A

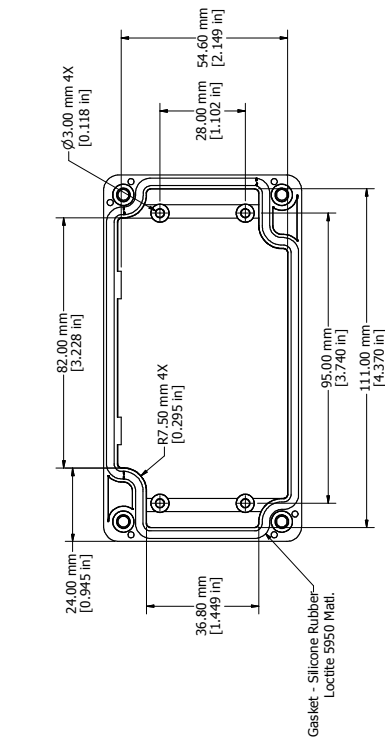


(ORDERED SEPARATELY)

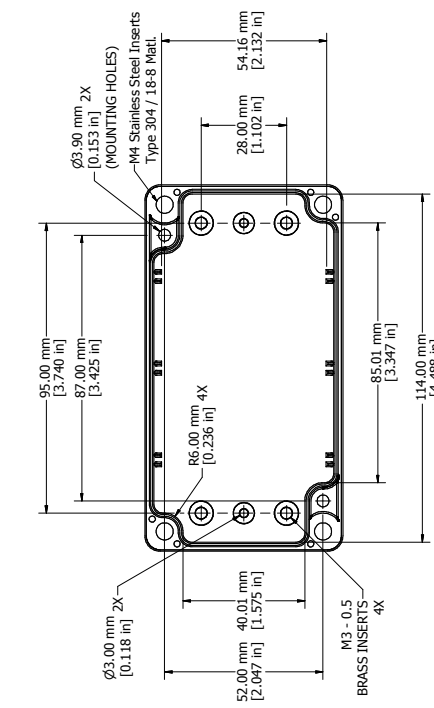
**UL** US LISTED  
File #E65324  
NEMA 4, 4X



STEEL INNER PANEL



LID - INSIDE



BOX - INSIDE

<b>NOTE</b>	Purchased assembly includes box, lid, and 4 cover screws			
	Cover screws should be torqued to 2.5 lb/In (30 cN-m)			
	Polycarbonate version is UL 508 approved			
<b>1555D</b>	<b>1555D Regular Enclosure</b>			
	General Purpose ABS RAL-7035 UL94 - HB	1555DGY		
	Polycarbonate RAL-7035 UL94 - V0 / VVA @ 3mm	1555D2GY		
<b>ACCESSORIES</b>				
	Heavy Duty 16 Gauge Galvanized Steel Panels	1554CPL		
	Steel Panel / P.C. Board Machine Screw	1591MM100		
	(M3 x 8mm Nickel Plated)			
	Steel Panel / P.C. Board Self Tapping Screw	1598ATS100		
	(#6 X 1/4" (6.4mm) Nickel Plated)			
	Cover Screws (Pkg 4)	SC1554		
	[M4 X 20mm Stainless Steel Type 304 Matl.]			



**HAMMOND**  
**MANUFACTURING™**  
**1555D**  
www.hammondmfg.com

Enclosures can be Factory Modified ( Milling, Drilling, Printing etc. )  
Solid models of this enclosure available in STEP or IGES.  
Contact Factory njm@hammondmfg.com

D C B A