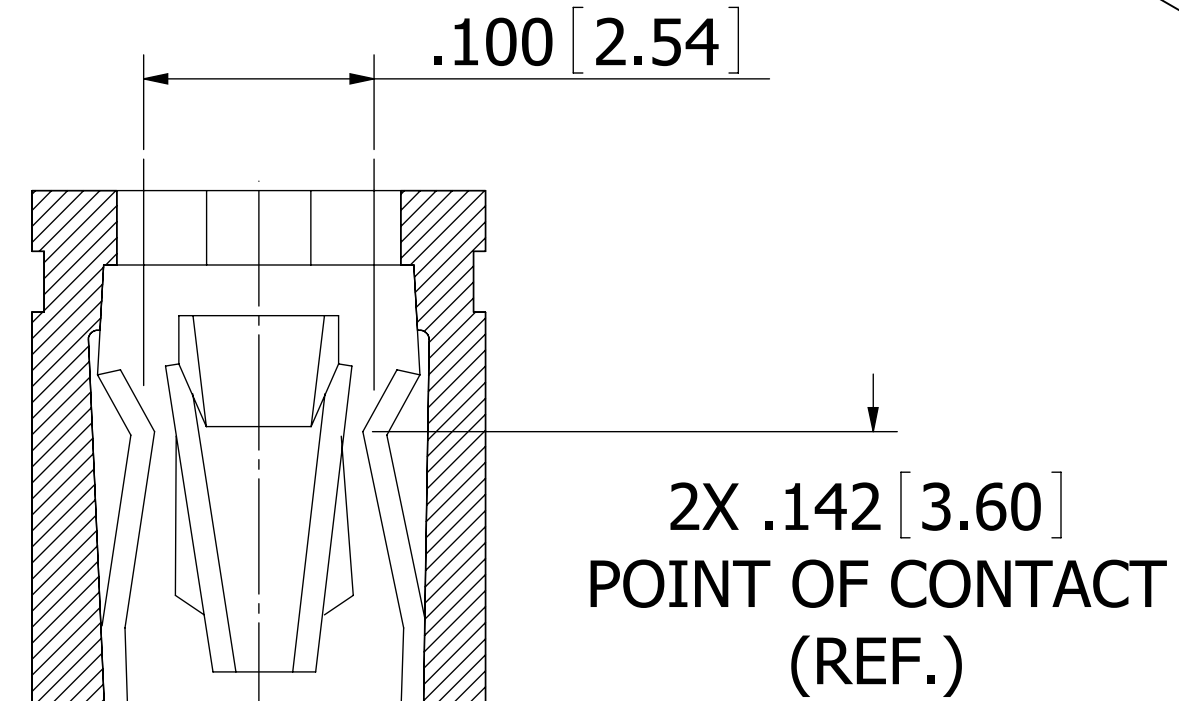
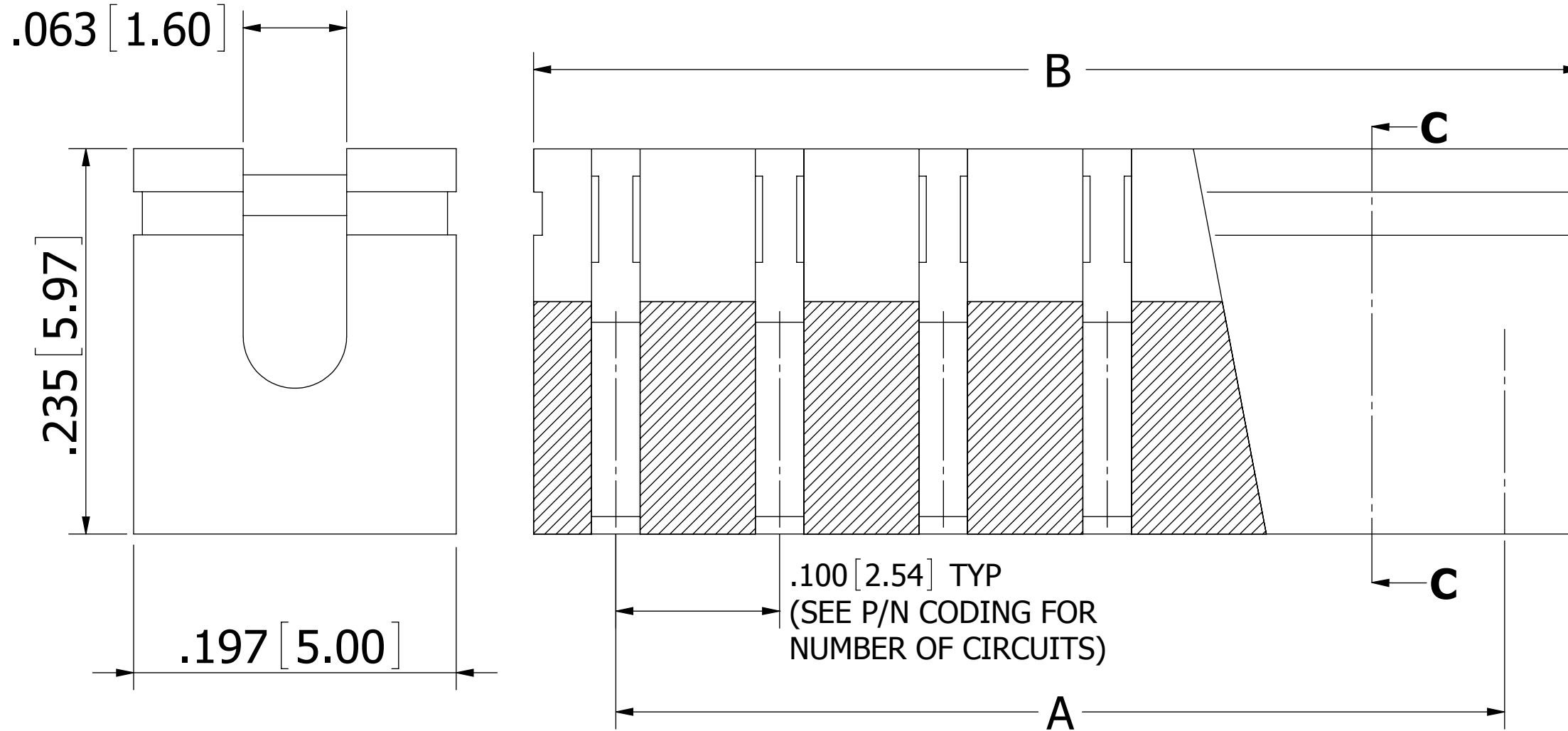
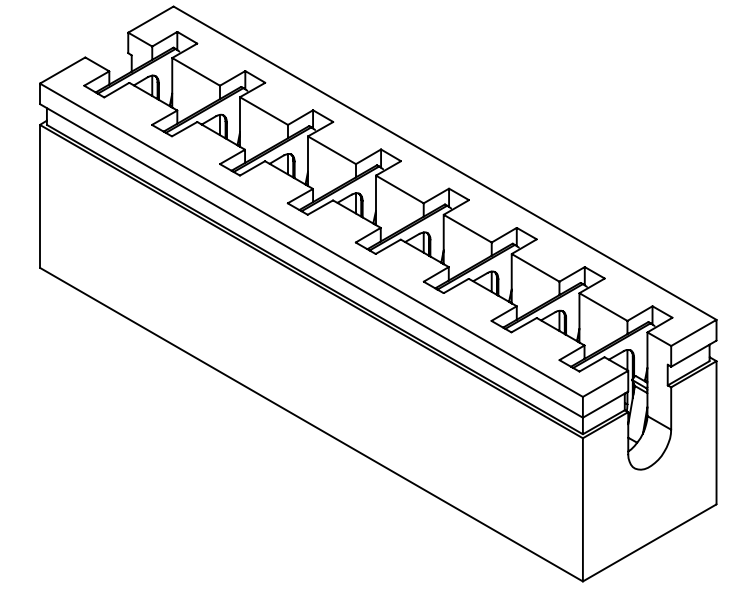
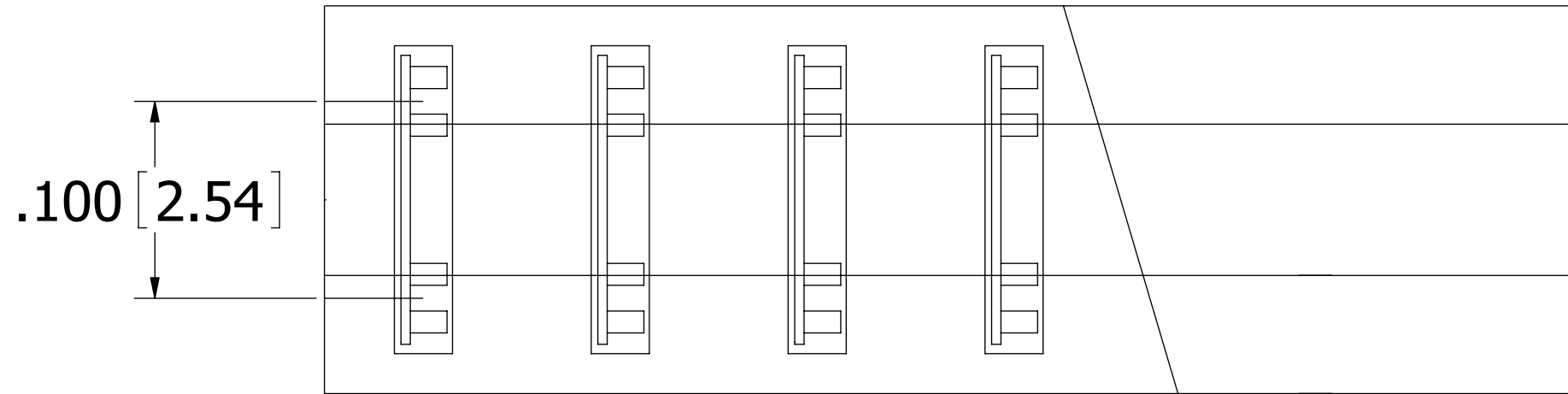


PART NUMBER CODING
QPC02_XGN-RC

NUMBER OF CIRCUITS

D = 2 CIRCUITS P = 7 CIRCUITS
 T = 3 CIRCUITS C = 8 CIRCUITS
 Q = 4 CIRCUITS N = 9 CIRCUITS
 U = 5 CIRCUITS A = 10 CIRCUITS
 E = 6 CIRCUITS R = 13 CIRCUITS

REVISIONS				
REV.	ECO. NO	DESCRIPTION	DATE	BY
A	2146	INITIAL RELEASE	07/16/2010	LH

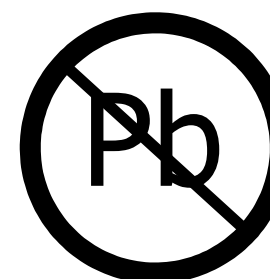


SECTION C - C

PART NUMBER	CIRCUITS	A		B	
		INCH	MM	INCH	MM
QPC02DXGN-RC	2	0.100	2.54	0.200	5.08
QPC02TXGN-RC	3	0.200	5.08	0.300	7.62
QPC02QXGN-RC	4	0.300	7.62	0.400	10.16
QPC02UXGN-RC	5	0.400	10.16	0.500	12.70
QPC02EXGN-RC	6	0.500	12.70	0.600	15.24
QPC02PXGN-RC	7	0.600	15.24	0.700	17.78
QPC02CXGN-RC	8	0.700	17.78	0.800	20.32
QPC02NXGN-RC	9	0.800	20.32	0.900	22.86
QPC02AXGN-RC	10	0.900	22.86	1.000	25.40
QPC02RXGN-RC	13	1.200	30.48	1.300	33.02

NOTES:

- INSULATOR MATERIAL: PBT, BLACK.
- CONTACT MATERIAL: BRASS.
- PLATING: GOLD FLASH OVERALL.
- UL FLAMMABILITY RATING: 94V-0.
- DIELECTRIC WITHSTANDING VOLTAGE: 650V AC.
- CURRENT RATING: 3 AMPS PER CONTACT.
- CONTACT RESISTANCE: 30 MILLI OHMS MAX.
- INSULATION RESISTANCE: 1000 MEGA OHMS.
- OPERATING TEMPERATURE: -40° TO +85°C
- DOUBLE TUNING FORK TYPE CONTACT, ACCOMMODATES .025" [0.64mm] SQ PINS, .100" [2.54mm] PITCH LOW PROFILE MINI TYPE.



RoHS COMPLIANT

UNLESS OTHERWISE SPECIFIED:
 DIMENSIONS ARE IN INCHES[MM]
 TOLERANCES:
 ANGULAR: ± 30°
 .XX=± .012 [.30]
 .XXX=± .008 [.20]
 .XXXX=± .004 [.10]

DRAWN	DATE	NAME
LH	7/16/2010	LH

SULLINS
 CONNECTOR SOLUTIONS

DESCRIPTION:
 MINI SHUNT, .100" CC, OPEN TOP

PART NUMBER:
QPC02_XGN-RC

SIZE DWG. NO. REV
C 11509 **A**

SCALE: 16:1 SHEET 1 OF 1