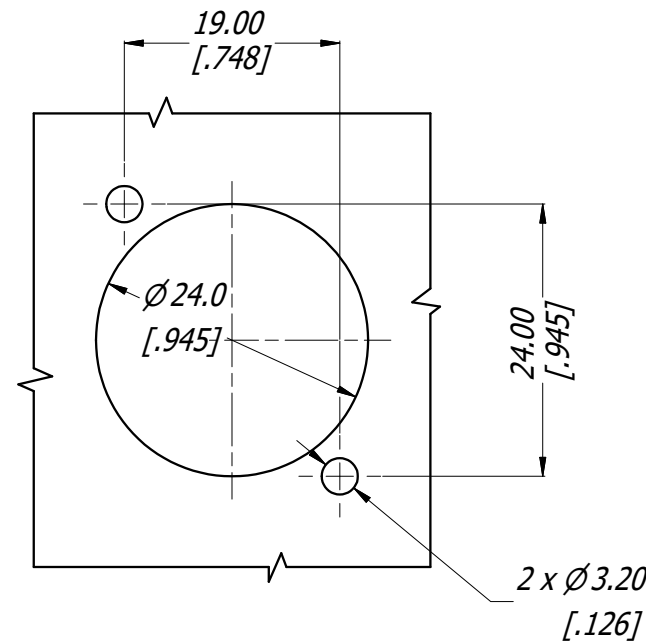
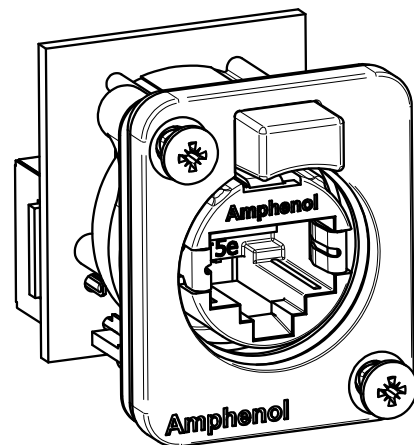


3D VIEW
3:2



PANEL CUT OUT
3:2
(CONNECTOR FRONT VIEW)

TABLE OF PART NUMBERS		
PART NUMBER	FRONT SHELL FINISH	TRANSMISSION CLASS
RJXS8FD5T	NICKEL PLATE	CAT5e
RJXS8FE5T	BLACK COAT	CAT5e

UNLESS OTHERWISE SPECIFIED TOLERANCE TO BE	
LINER	ANGULAR
X ±0.5	X' ±1
X.X ±0.1	X.X' ±30'
X.X ±0.05	X.X' ±15'
BREAK ALL SHARP EDGES AND REMOVE ALL BURRS	
DO NOT SCALE	
DIMENSIONS IN MILLIMETRES	

THIS DOCUMENT IS THE PROPERTY OF AMPHENOL AUSTRALIA PTY. LTD.
NO PART THEREOF MAY BE REPRODUCED AND USED WITHOUT THE PRIOR WRITTEN CONSENT OF THE OWNER.

MATERIAL: **REFER SPECIFICATION**

FINISH:

DRN:	T.N	DATE:	17/04/19
CKD:	P.M	DATE:	17/04/19
APP'D:	P.M	DATE:	17/04/19
SCALE:	3:2	SIZE:	A3

Amphenol

Amphenol Australia Pty.Ltd,
22 Industry Blvd, Carrum Downs
VIC 3201 Australia

TITLE:
**XLRnet D TYPE CAT5e
FEEDTHRU ADAPTOR IP54
CUSTOMER DRAWING**

PART No:	REV
REFER TABLE P/No.	1
DRAWING No.	SHEET
55011326-000	2/2