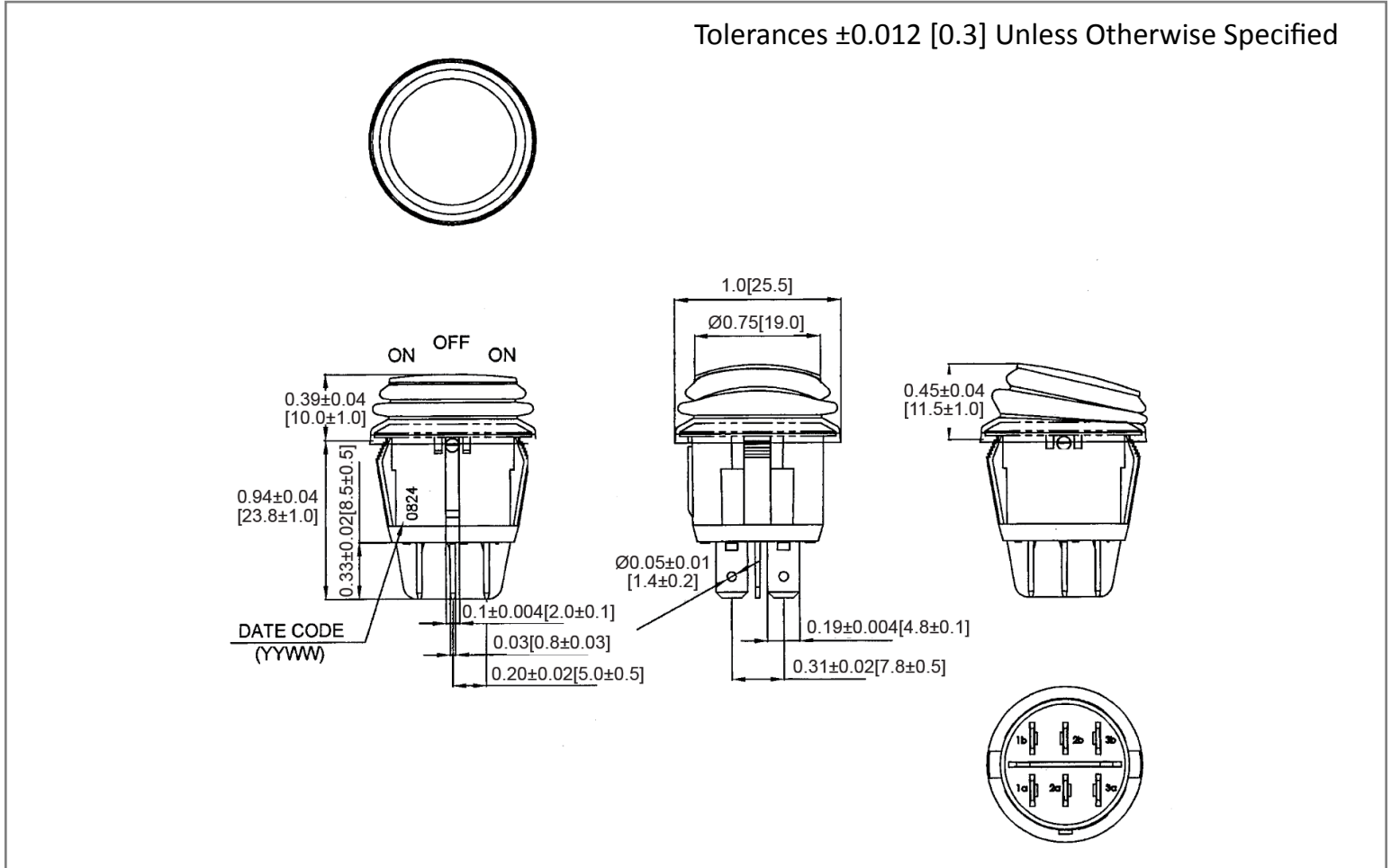
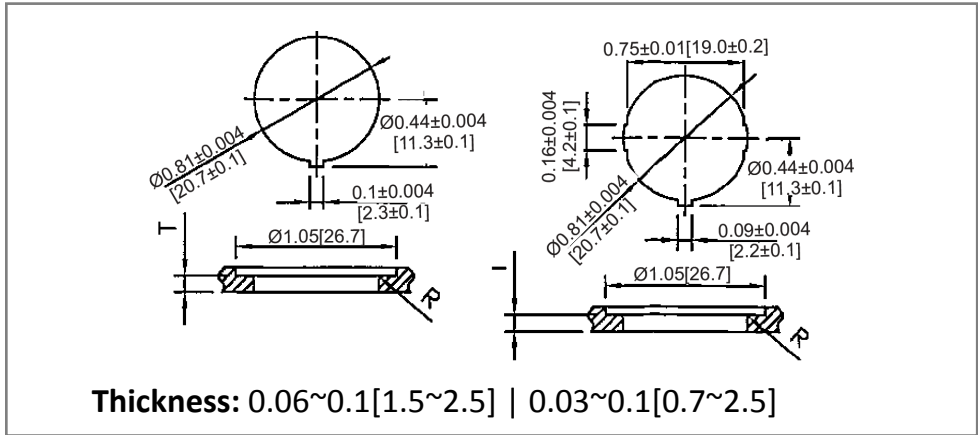


Mechanical Dimensions: Inches [mm]

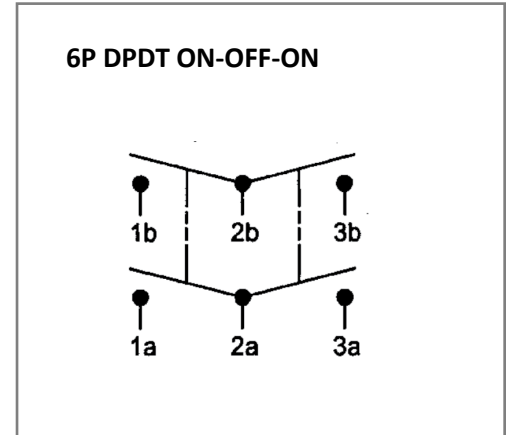
Tolerances  $\pm 0.012$  [0.3] Unless Otherwise Specified



Mounting Hole



Circuit Diagram



Electrical Specifications

Rating	10A 28V DC	
Contact Resistance	50m ohm Max	
Insulation Resistance	DC 500V 100M ohm Min	
Dielectric Strength	AC 1500V 1 minute	
Operation Temperature	-25°C~85°C	

Material Specifications

Frame	Black, Nylon#66 (94-V2)
Actuator	Black, PC (94-V2)
Terminals	Copper alloy , Silver plated
Waterproof	IP65
Waterproof Rubber	Black, Silicone

Rev	Date of issue	Revision Notes	Designed	Approved
B	06-08-2021	Initial Drawing	RC	OF