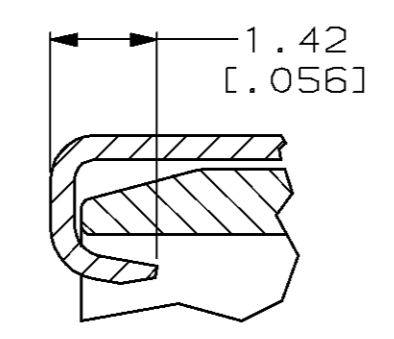
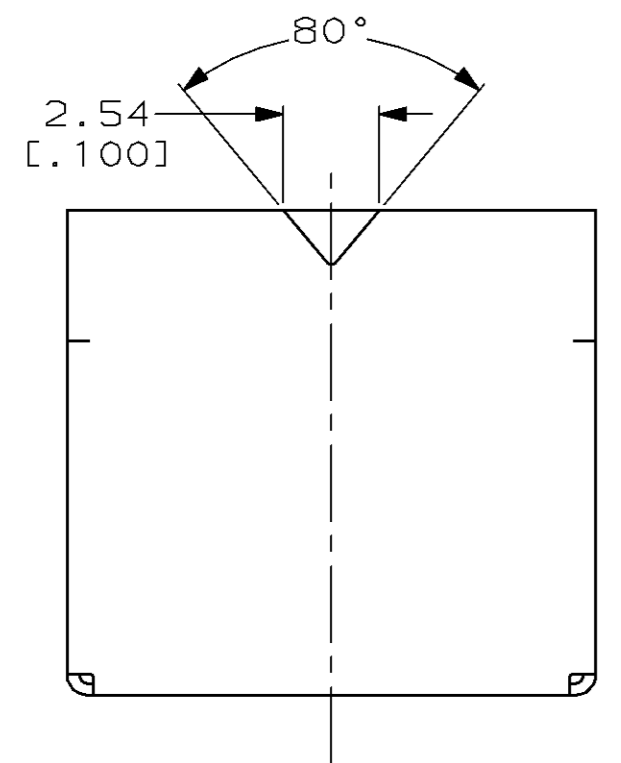
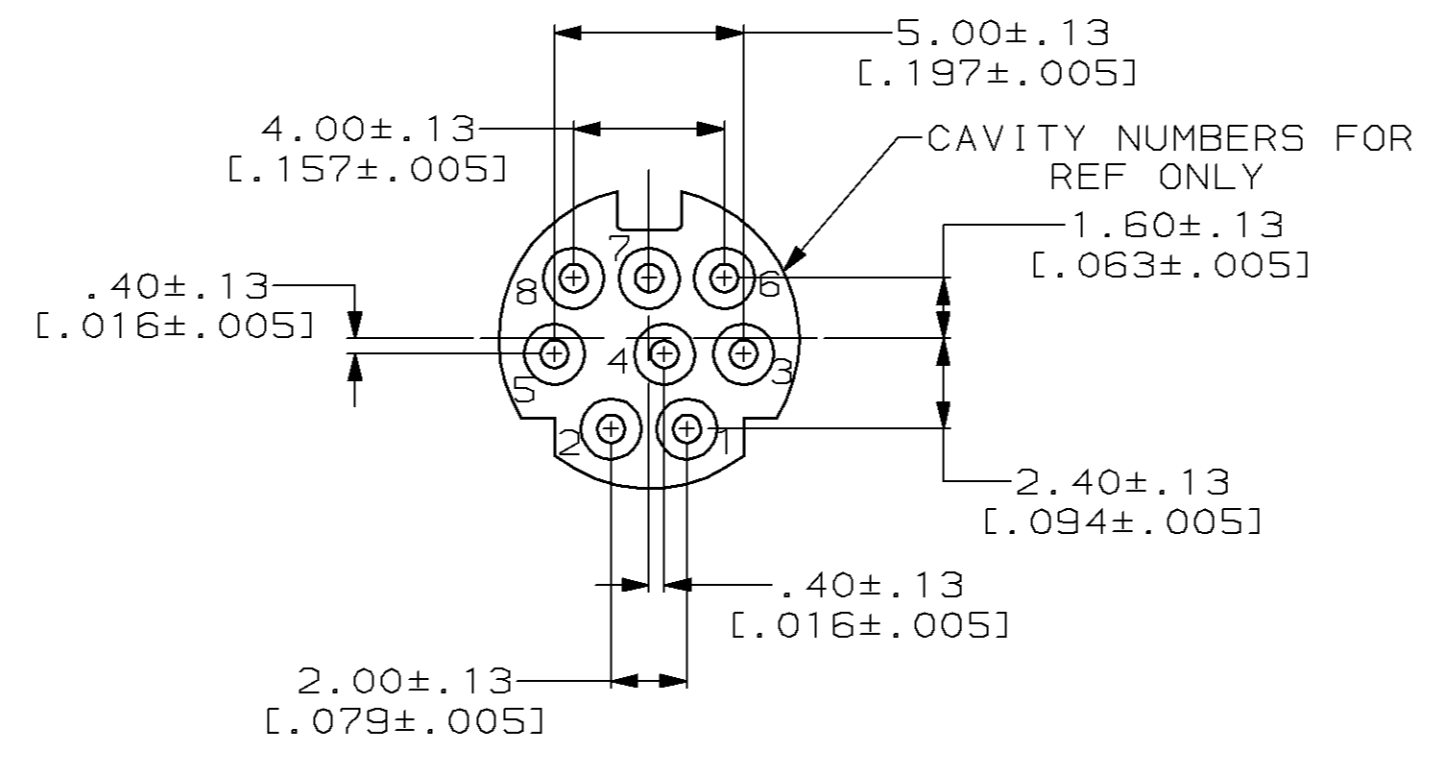


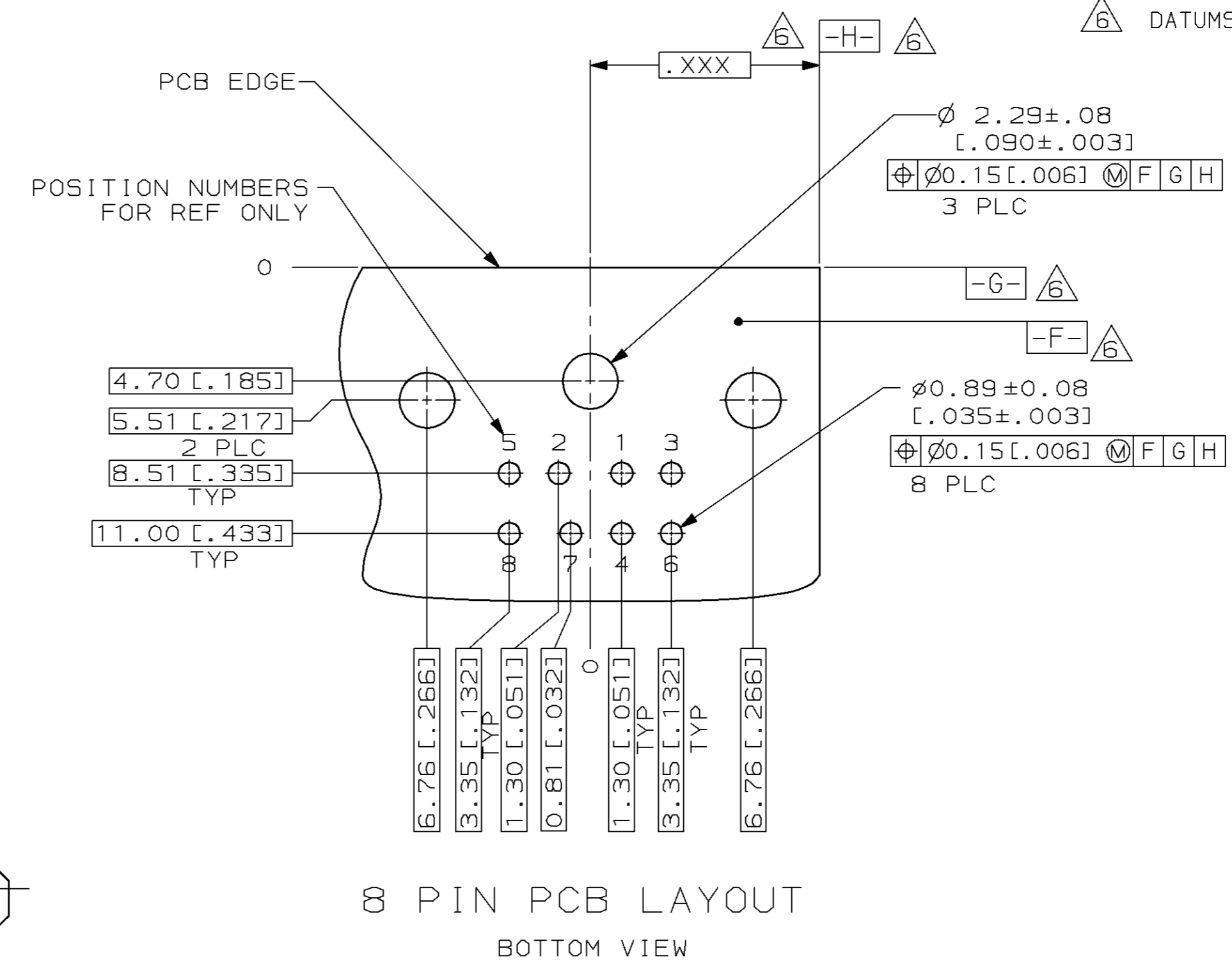
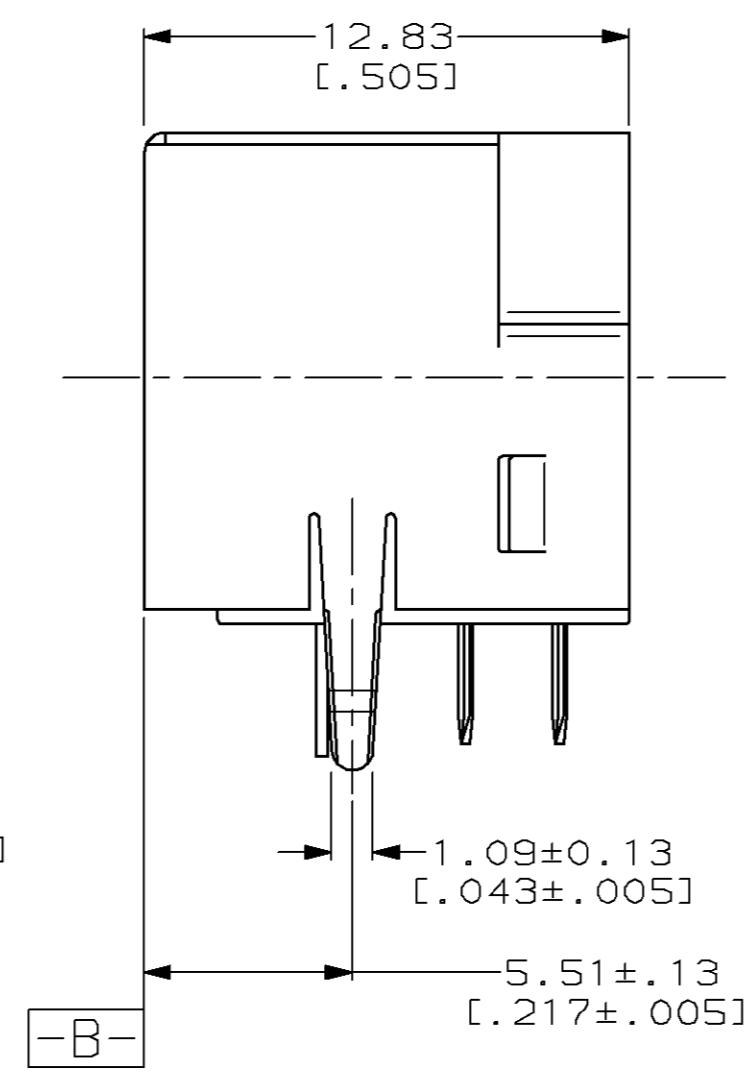
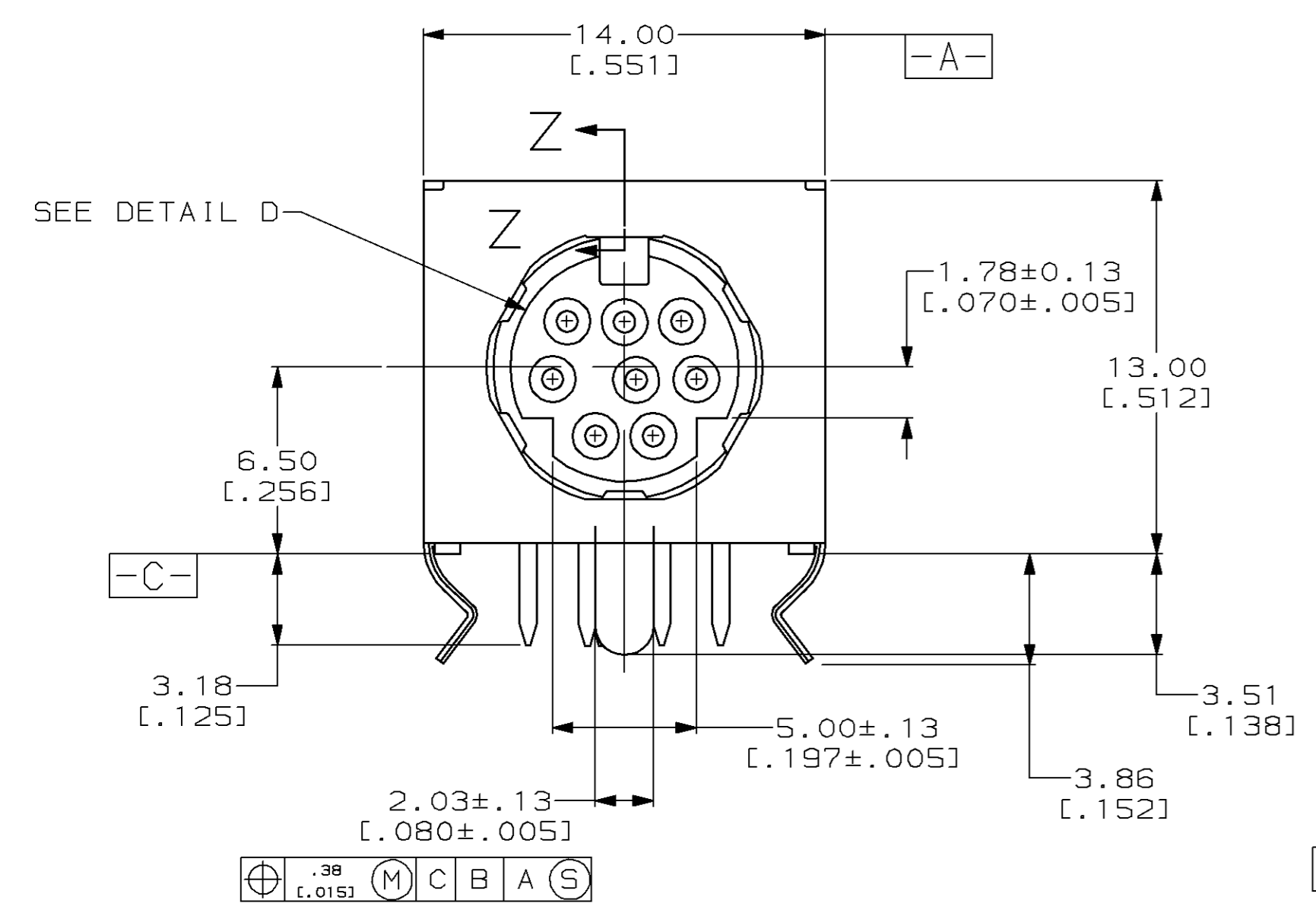
LOC	DIST	P	F	ZONE	LTR	REVISIONS	DATE	APPD
BD	26							
						O	RLSE NPR 2275 WAS 88-4837-21	01/05/89
						A	REVISED ECN-BD2959	05/08/89
						B	REVISED ECN BD3043	06/20/88
						C	REV PER ECN BD5426 & ADD -2 PER NPR 3790	10-28-91
						D	REV PER EC 0020-0045-94	02/08/94
						E	REV PER EC 0020-824-95	12 OCT 95
						F	REV PER EC 0020-9-96	22 JAN 96
						G	REV PER EC 0410-95-96	28 FEB 97
						H	OBSELETE -2 PER EC 0410-194-96	08 SEP 97
						J	REV PER EC 0410-281-97	28 SEP 97
						K	REV PER EC 0410-410-97	05 FEB 98



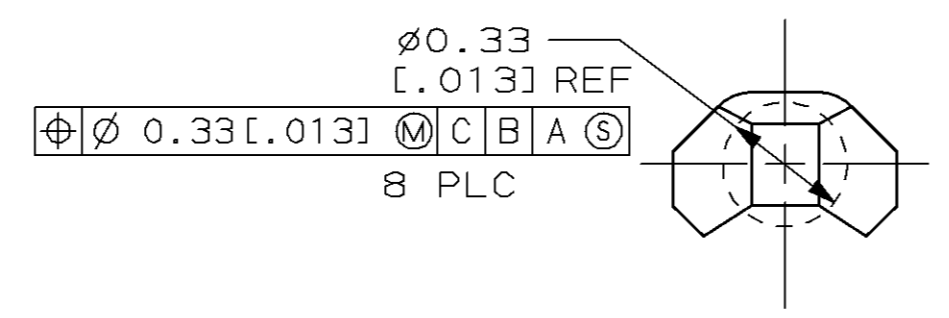
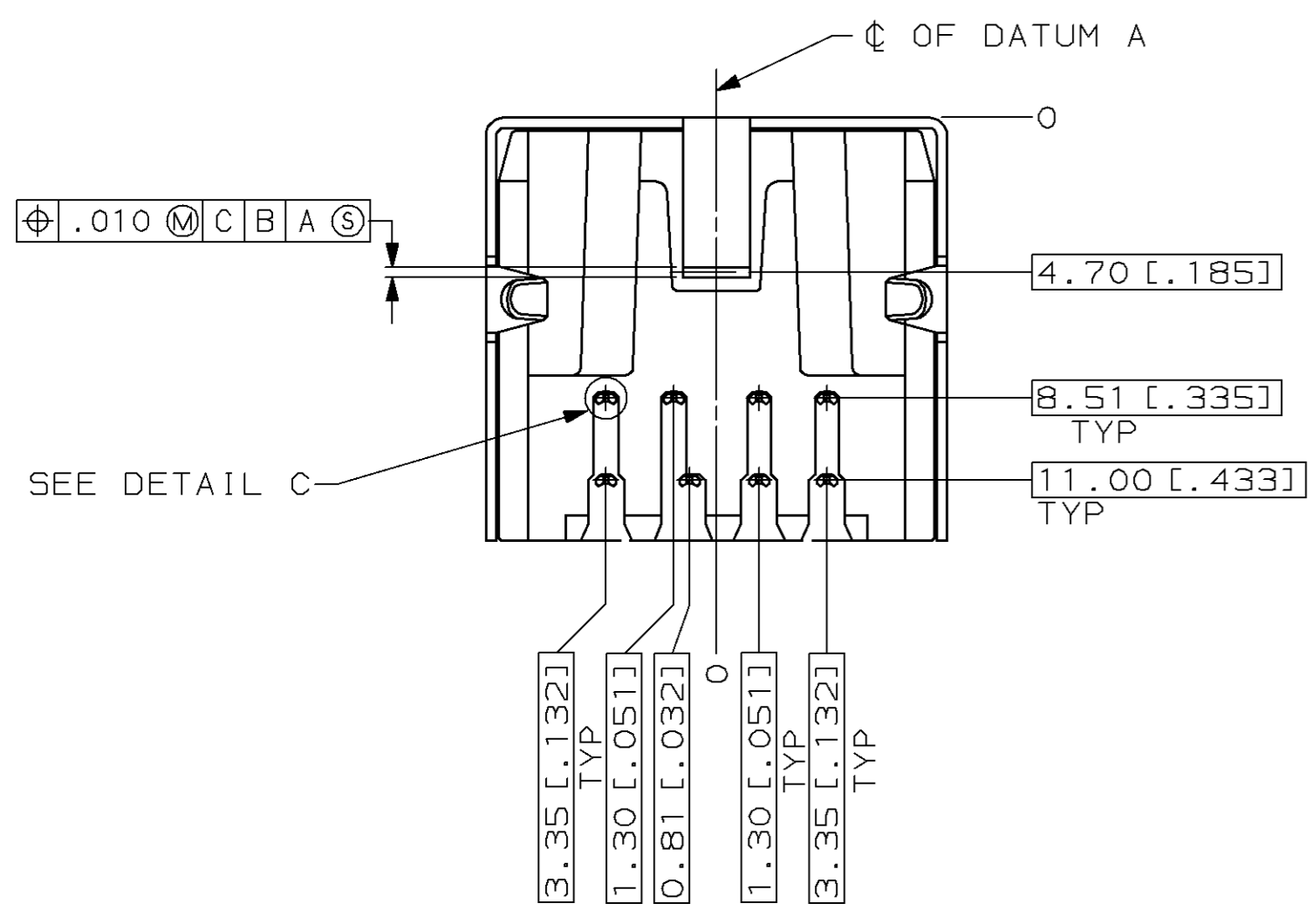
SECTION Z-Z
SCALE 10:1



DETAIL D
8 PIN FACE



8 PIN PCB LAYOUT
BOTTOM VIEW



DETAIL C
SCALE 50:1

- ① RECEPTACLE CONTACTS: COPPER ALLOY.
RECEPTACLE SHIELD: COPPER ALLOY.
HOUSING: THERMOPLASTIC, COLOR; SEE TABLE, UL 94V-0 RATED.
- ② PLATING:
RECEPTACLE CONTACTS - GOLD PLATED .00076 MIN [.000030 MIN] THICK
ON MATING END, TIN-LEAD PLATED .0030 MIN [.000120 MIN] THICK
ON SOLDER TAIL ALL OVER .0013 MIN [.000050 MIN] THICK NICKEL.
- ③ PLATING:
SHIELD: 1.50-4.00µm [.000059-.000158] THICK BRIGHT TIN.
- 4. RECEPTACLE ASSEMBLY MATES WITH 8 PIN 9.00±.10 [.354±.004] DIAMETER PLUG.
- ⑤ SEE RESTRICTED CUSTOMER DRAWING 749179-3.
- ⑥ DATUMS AND BASIC DIMENSION SUPPLIED BY CUSTOMER.

	-	⑤
OBSELETE	GRAY	749179-2
	BLACK	749179-1
HOUSING COLOR	PART NO	
	PART NO	

DO NOT SCALE PRINT. UNLESS SPECIFIED DIMENSIONS IN mm [INCHES] TOLERANCES ON: 3 PLC DEC ± 0.381 [.015] ANGLES ± 0°30'	DR 1-23-89 P. COSMOS CHK 1-23-89 C. OHL APPD 1-23-89 B.H. MOSSER APPD 1-23-89 E.C. MYERS	AMP AMP INCORPORATED Harrisburg, Pa. 17105	
MATERIAL	①	NAME	RECEPTACLE ASSY W/HOLD DOWN, 8 POS RIGHT ANGLE, MINIATURE CIRCULAR DIN
FINISH	② ③	SIZE	D 00779
PRODUCT SPEC	108-1225	SCALE	5:1
APPLICATION SPEC	-	DRAWING NO	749179
WEIGHT	-	SHEET	1 OF 1