

4

3

2

1

THIS DRAWING IS UNPUBLISHED.

RELEASED FOR PUBLICATION

2011

© COPYRIGHT 2011 BY -

ALL RIGHTS RESERVED.

LOC	DIST
1	-

REVISIONS

P	LTR	DESCRIPTION	DATE	DWN	APVD
5		UPDATED	23JUL2013	MZ	JC
A		PARTS RELEASED FOR PRODUCTION	14NOV2013	KR	JC

NOTES:

- 1 MATERIAL: PA GF (NATURAL)
- HOUSING: PA GF
- CONTACTS: BRASS TIN PLATED
- 2 ALL POLARIZATION KEYS SHOWN FOR REF ONLY
- 3 WAYS I.D.
- 4 VOLTAGE AND CURRENT RATINGS
- 5 RIB CLOSING CAVITY BY CHANGE OVER
- 6 TE LOGO
- 7 AREA FOR AGENCIES APPROVAL LOGO
- 8 VISUAL INDICATOR FOR PE CONDUCTOR

PCB CUT-OUT AND HOLES DIMENSIONS (±0.03)

SCALE 1:1

TOP VIEW

BOTTOM VIEW

PIN HOLES CENTER PLACED ALONG VERTEX OF HEPTAGON FIGURE INSCRIBED INTO CIRCLE 12.91MM DIA.

Ø12.91

R1.25

9.60 TYP X 5

Ø1.80 TYP X 5

5.60 TYP X 5

1.00 TYP X 5

**RACOMANDED PCB THICKNESS 1.6±0.06,
PATH THICKNESS 0.07,
PATH WIDTH 7.50±0.05 FOR LINES, PE, NEUTRAL**

THIS DRAWING IS A CONTROLLED DOCUMENT.

DWN	31MAR2011
A. BERNARDI	
CHK	31MAR2011
M. ZUCCA	
APVD	31MAR2011
G. TURCO	

		TE Connectivity	
NAME			
PCB PIN CONNECTOR 6 POLES M-LINE NECTOR			
SIZE	CAGE CODE	DRAWING NO	RESTRICTED TO
A300779	C	293672	-
Customer Drawing		SCALE 2:1	SHEET 1 OF 2 REV A

DIMENSIONS:	TOLERANCES UNLESS OTHERWISE SPECIFIED:
mm	
	0 PLC ±-
	1 PLC ±0.3
	2 PLC ±0.20
	3 PLC ±-
	4 PLC ±-
	ANGLES ±3°
MATERIAL	FINISH
-	-

1470-19 (3/11)

THIS DRAWING IS UNPUBLISHED.

RELEASED FOR PUBLICATION

2011

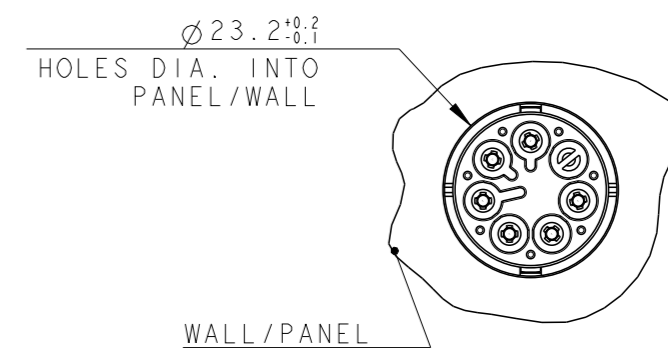
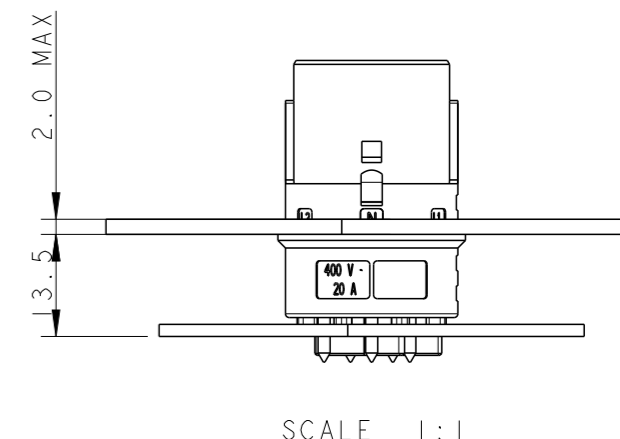
© COPYRIGHT 2011 BY -

ALL RIGHTS RESERVED.

LOC	DIST	REVISIONS					
		P	LTR	DESCRIPTION	DATE	DWN	APVD
1	-	-	-	SEE SHEET 1	-	-	-

POLARIZATION TYPES

POLARIZATION TYPE "C"	POLARIZATION TYPE "D"	POLARIZATION TYPE "E"
PNs 0-293672-3	PNs 0-293672-4	PNs 0-293672-5



	E	NATURAL	PIN PCB CONN 6 POLES NECTOR* M-LINE	A	0-293672-5
	D	NATURAL	PIN PCB CONN 6 POLES NECTOR* M-LINE	A	0-293672-4
	C	NATURAL	PIN PCB CONN 6 POLES NECTOR* M-LINE	A	0-293672-3
NOTE	POL. KEYING	COLOUR	DESCRIPTION	REV.	P/N

THIS DRAWING IS A CONTROLLED DOCUMENT.		DWN A. BERNARDI 31MAR2011	TE Connectivity		
DIMENSIONS: mm		CHK M. ZUCCA 31MAR2011			
TOLERANCES UNLESS OTHERWISE SPECIFIED:		APVD G. TURCO 31MAR2011	NAME PCB PIN CONNECTOR 6 POLES M-LINE NECTOR		
		PRODUCT SPEC -	RESTRICTED TO		
MATERIAL -		FINISH -	APPLICATION SPEC -	SIZE A300779	DRAWING NO C-293672
Customer Drawing			WEIGHT -	SCALE 2:1	SHEET 2 OF 2
					REV A