

Customer Information Sheet

DRAWING No.: M20-787XXXXP

SHEET 2 OF 2

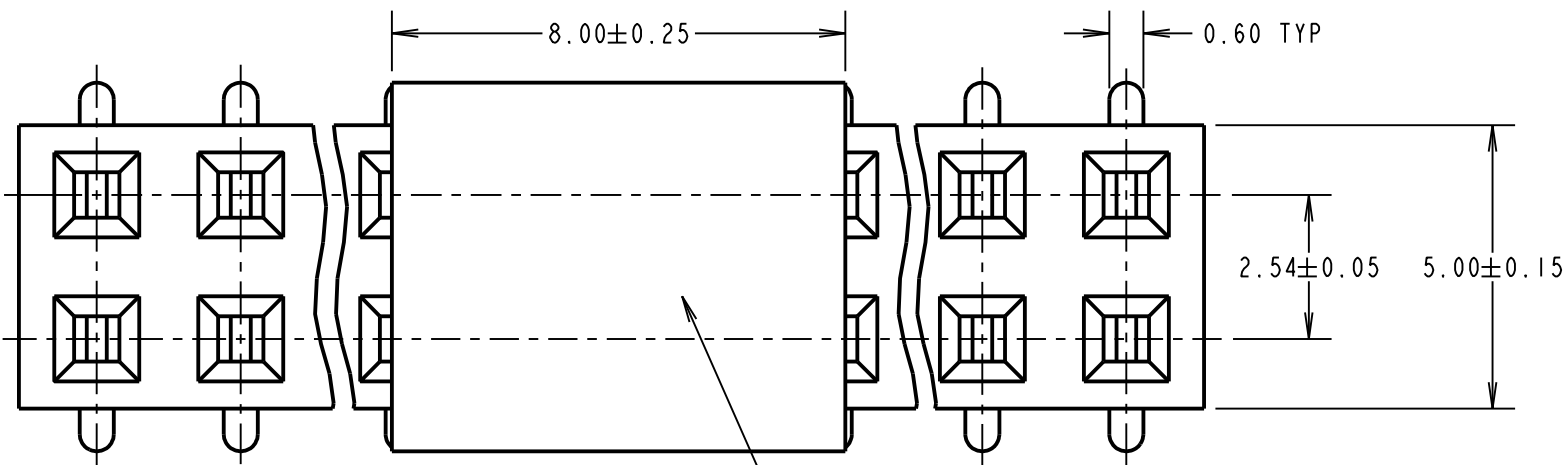
IF IN DOUBT - ASK

©

NOT TO SCALE

THIRD ANGLE PROJECTION

ALL DIMENSIONS IN mm



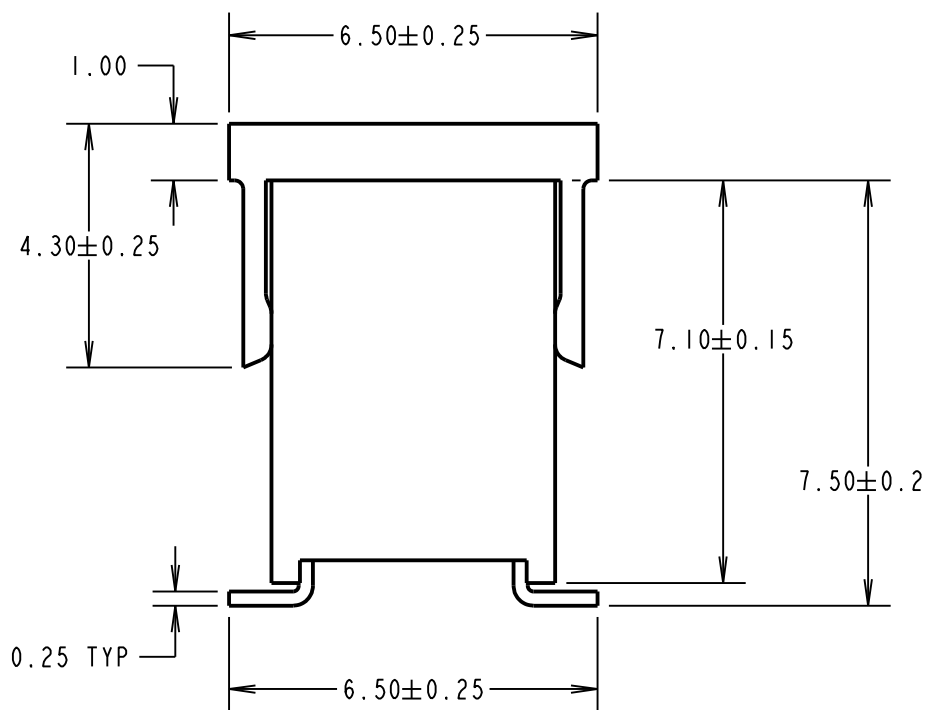
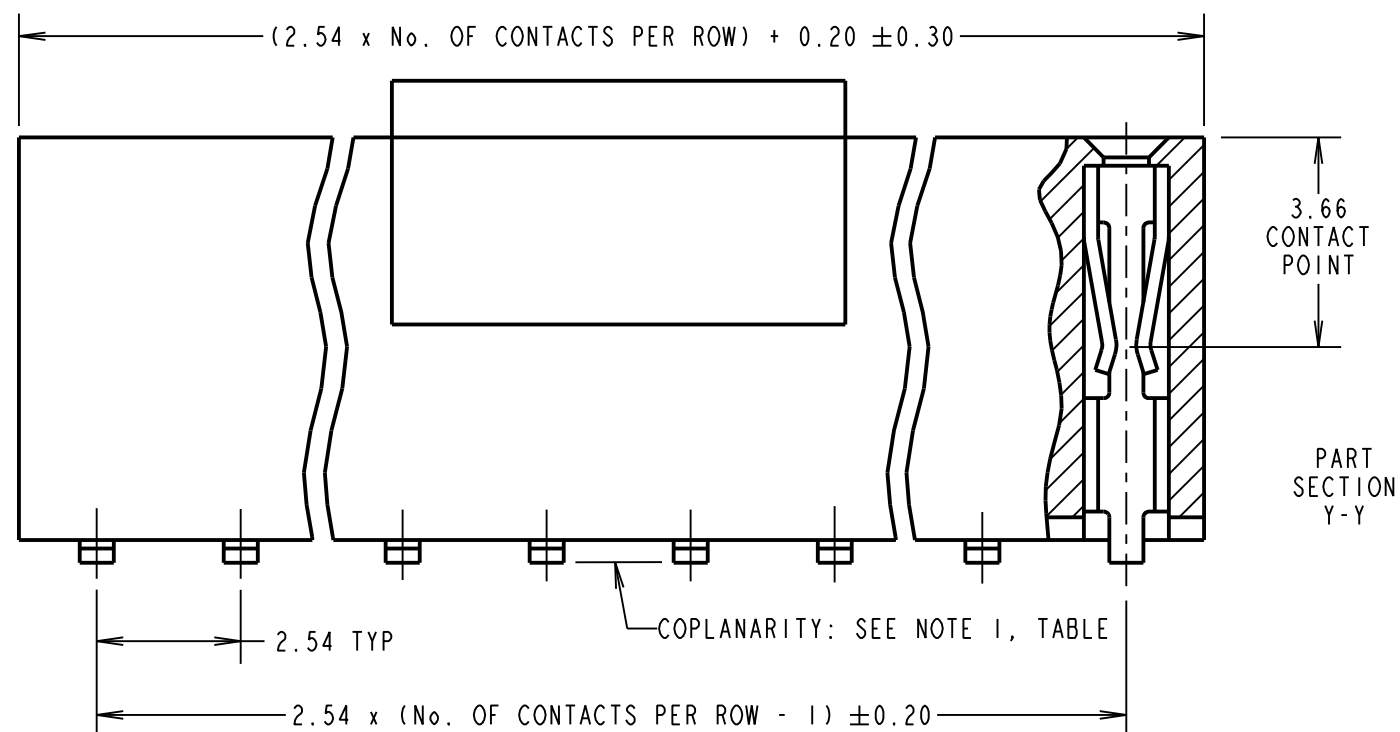
NOTES:
1. CO-PLANARITY: FLATNESS OF SMT TAILS WILL NOT EXCEED VALUES GIVEN IN TABLE.

No. OF CONTACTS PER ROW	COPLANARITY TOLERANCE
02 TO 10	0.12mm MAX
11 TO 20	0.15mm MAX

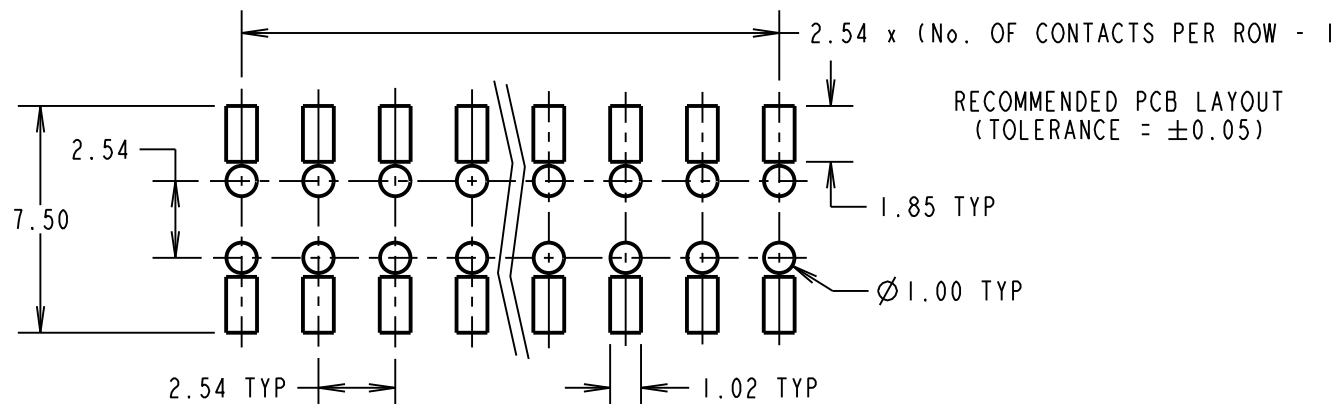
ORDER CODE:
M20-787XXXXP
No. OF CONTACTS PER ROW:
02 TO 20
FINISH:
42 = SELECTIVE GOLD + 100% TIN
46 = 100% TIN

Active products:
M20-7871046P

OBSOLETE
All other size/finish combinations not listed above



SPECIFICATION:
MATERIAL:
MOULDING = PA6T UL94V-0, BLACK
CONTACTS = PHOSPHOR BRONZE
FINISH (OVER NICKEL):
42 = GOLD ON CONTACT AREA, 100% TIN ON TAILS
46 = 100% TIN
ELECTRICAL:
CURRENT RATING = 3A
VOLTAGE PROOF = 600V AC FOR 1 MINUTE
CONTACT RESISTANCE = 20mΩ MAX
INSULATION RESISTANCE = 1,000MΩ MIN
MECHANICAL:
DURABILITY = 300 CYCLES MAX
INSERTION FORCE = 2.0N MAX
WITHDRAWAL FORCE = 0.3N MIN
ENVIRONMENTAL:
TEMPERATURE RANGE = -40°C TO +105°C
PACKING:
TUBE
FOR COMPLETE SPECIFICATION SEE COMPONENT SPECIFICATION COO1XX (LATEST ISSUE)



WJP	6	01.08.17	20398
NAME	ISS.	DATE	C/NOTE
APPROVED: W. J. PRESTON			
CHECKED: M. PERREN			
DRAWN: R. ADDE			
CUSTOMER REF.:			
ASSEMBLY DRG:			

 www.harwin.com technical@harwin.com	THIS DRAWING AND ANY INFORMATION OR DESCRIPTIVE MATTER SET OUT HEREON ARE CONFIDENTIAL AND COPYRIGHT PROPERTY OF THE HARWIN GROUP AND MUST NOT BE DISCLOSED, LOANED, COPIED OR USED FOR MANUFACTURING, TENDERING OR FOR ANY OTHER PURPOSE WITHOUT THEIR WRITTEN PERMISSION.	TOLERANCES	MATERIAL:	TITLE: 2.54mm PITCH DIL VERTICAL FEMALE SMT SKT ASSY DUAL ENTRY - PICK/PLACE CAP DRAWING NUMBER: M20-787XXXXP
		X. = ±1mm X.X = ±0.50mm X.XX = ±0.10mm X.XXX = ±0.01mm ANGLES = ±5° UNLESS STATED	SEE ABOVE	