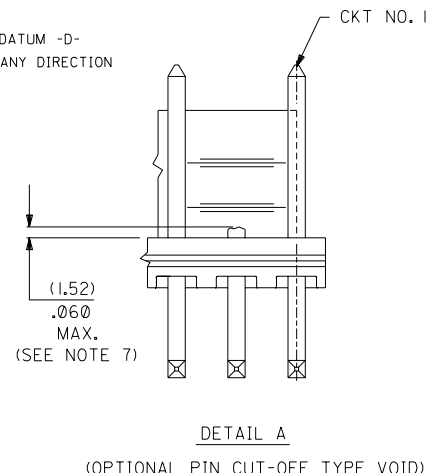


- NOTES:
- PRECEDING ENG. NO. IN CHART DESIGNATES STANDARD PRODUCT.
 - SOLDERABILITY: WHEN PARTS ARE SOLDERED AT A TEMPERATURE OF 230°C (446°F) FOR 5 SECONDS, EACH SOLDERED SURFACE SHALL BE A MINIMUM OF 95% COVERED WITH A SMOOTH CONTINUOUS ADHERENT COATING. FOR OTHER INFORMATION SEE ES-152.
 - PIN PUSH OUT FORCE: PRIOR TO SOLDERING, A 3 POUND MINIMUM FORCE (IN EITHER DIRECTION) SHALL BE REQUIRED TO PUSH THE PIN OUT OF THE HEADER.
 - FOR ADDITIONAL INFORMATION AND TESTING PROCEDURES SEE PS-08-50.
 - PARTS ARE STACKABLE END TO END ON (3.96)/.156 CENTERS.
 - FOR PART WITH PEGS SEE DWG NO. SDA-42492
 - BURRS DUE TO CUTTING OFF OF PINS MUST NOT VARY FROM CENTERLINE OF PIN AT DATUM -D- BY MORE THAN .008 IN ANY DIRECTION.



NO. OF CKT'S.	DIM. A	DIM. B
2	(3.96±.05) .156±.002	(7.77) .306
3	(7.92±.08) .312±.003	(11.73) .462
4	(11.89±.08) .468±.003	(15.70) .618
5	(15.85±.10) .624±.004	(19.66) .774
6	(19.81±.10) .780±.004	(23.62) .930
7	(23.77±.10) .936±.004	(27.58) 1.086
8	(27.74±.13) 1.092±.005	(31.55) 1.242
9	(31.70±.13) 1.248±.005	(35.51) 1.398
10	(35.66±.13) 1.404±.005	(39.47) 1.554
11	(39.62±.15) 1.560±.006	(43.43) 1.710
12	(43.59±.15) 1.716±.006	(47.40) 1.866
13	(47.55±.15) 1.872±.006	(51.36) 2.022
14	(51.51±.18) 2.028±.007	(55.32) 2.178
15	(55.47±.18) 2.184±.007	(59.28) 2.334
16	(59.44±.18) 2.340±.007	(63.25) 2.490
17	(63.40±.20) 2.496±.008	(67.21) 2.646
18	(67.36±.20) 2.652±.008	(71.17) 2.802

MATERIAL: HEADER: GLASS FILLED POLYESTER, 94V-0, MOLDED NATURAL (WHITE).
PIN: BRASS

PLATINGS:
(102) ELECTRO TIN .000450/.000200 OVER .000200/.000100 COPPER
(567) SELECT GOLD 15 M.I. MIN, SELECT TIN/LEAD 100 M.I. MIN., OVER NICKEL
(569) SELECT GOLD 30 M.I. MIN, SELECT TIN/LEAD 100 M.I. MIN., OVER NICKEL
FOR ADDITIONAL INFORMATION SE SDES-88.

REL SHT 5 UCP2003-0755 11/6/2002 SAMIEC		DIMENSIONS SHOWN (METRIC) INCH UNLESS OTHERWISE SPECIFIED TOLERANCES: ANGULAR ± 1/2°		▽ = 0 ▽ = 0 REVISE ONLY ON CAD SYSTEM	
REL SHT 4 UCR2002-0555 12/17/01 SAMIEC		3 PLACE ± INCH METRIC		TITLE FRICTION LOCK HEADER ASS'Y .156 Q BENT SQ PINS, W/O PEGS 41792 SERIES DWG.	
ADD PACK SPEC UCR2002-0087 7/26/01 SAMIEC		DRAWING WHERE APPLICABLE MUST REMAIN WITHIN DIMENSIONS		MOLEX INCORPORATED SHEET NO. DATE LITSE, ILL. 60532 U.S.A. 1 OF 6 09/09/87	
DRWG. BY SAMIEC CHK'D. BY PATEL		PART NO. DRWG. NO.		SEE CHART SDA-41792	
APP'D. BY LENZ SCALE :		FILE NAME S41792X1		THIS DRAWING CONTAINS INFORMATION THAT IS PROPRIETARY TO MOLEX INC. AND SHOULD NOT BE USED WITHOUT WRITTEN PERMISSION.	
LTR.	REVISIONS	LTR.	REVISIONS	APP'D. BY LENZ	SCALE :

6	E
5	E2
4	E1
3	E
2	E
1	E2

	13	12	11	10	9	8	7	6	42472	4	3	2	1	
	ENG. NO.	HEADER NO.	PIN NO.	PLATING	DIM. L	DIM. X	DIM. G GOLD	DIM. Y	DIM. Z	DIM. T TIN	DIM. W	NO OF CKTS	VOID CKTS	PACKAGING
J	A-41792-0198/0213	41790-0002/0018	2161-37(102)	102	(27.94) 1.100	(11.43) .450	() N/A	(5.41) .213	(3.96) .156	() OVERALL	90°	3-18	2	BULK PER PK-41792-002
	A-41792-0214/0227	41790-0002/0018	2161-37(102)	102	(27.94) 1.100	(11.43) .450	() N/A	(5.41) .213	(3.96) .156	() OVERALL	90°	5-18	5	BULK PER PK-41792-002
	A-41792-0242/0257	41790-0002/0018	2161-37(102)	102	(27.94) 1.100	(11.43) .450	() N/A	(5.41) .213	(3.96) .156	() OVERALL	90°	3-18	3	BULK PER PK-41792-002
I	A-41792-0258/0274	41790-0002/0018	2161-64(122)	122	(29.85) 1.175	(13.28) .523	() N/A	(5.41) .213	(4.01) .158	() OVERALL	90°	2-18		BULK PER PK-41792-002
	A-41792-0275/0289	41790-0002/0018	2161-37(102)	102	(27.94) 1.100	(11.43) .450	() N/A	(5.41) .213	(3.96) .156	() OVERALL	90°	4-18	2,4	BULK PER PK-41792-002
	A-41792-0341/0352	41790-0002/0018	2161-37(102)	102	(27.94) 1.100	(11.43) .450	() N/A	(5.41) .213	(3.96) .156	() OVERALL	90°	7-18	7	BULK PER PK-41792-002

A-41792-0198/0213																A-41792-0214/0227						A-41792-0242/0257						A-41792-0258/0274						A-41792-0275/0289						A-41792-0341/0352					
EDP NO.		ENG. NO.		NO OF CKTS	EDP NO.		ENG. NO.		NO OF CKTS	EDP NO.		ENG. NO.		NO OF CKTS	EDP NO.		ENG. NO.		NO OF CKTS	EDP NO.		ENG. NO.		NO OF CKTS	EDP NO.		ENG. NO.		NO OF CKTS																
				2					2					2					2					2					2																
	26-62-5031	A-41792-0198		3				3		26-62-5035	A-41792-0242		3		26-62-5033	A-41792-0259		3					3						3																
	26-62-5041	A-41792-0199		4				4		26-62-5045	A-41792-0243		4		26-62-5043	A-41792-0260		4		26-62-5047	A-41792-0275		4					4																	
	26-62-5051	A-41792-0200		5	41792-0214	A-41792-0214		5		26-62-5055	A-41792-0244		5		26-62-5053	A-41792-0261		5		26-62-5057	A-41792-0276		5					5																	
	26-62-5061	A-41792-0201		6	26-62-5060	A-41792-0215		6		26-62-5065	A-41792-0245		6		26-62-5063	A-41792-0262		6		26-62-5067	A-41792-0277		6					6																	
	26-62-5071	A-41792-0202		7	41792-0216	A-41792-0216		7		26-62-5075	A-41792-0246		7		26-62-5073	A-41792-0263		7		26-62-5077	A-41792-0278		7		41792-0341	A-41792-0341		7																	
	26-62-5081	A-41792-0203		8	41792-0217	A-41792-0217		8		26-62-5085	A-41792-0247		8		26-62-5083	A-41792-0264		8		26-62-5087	A-41792-0279		8		41792-0342	A-41792-0342		8																	
	26-62-5091	A-41792-0204		9	41792-0218	A-41792-0218		9		26-62-5095	A-41792-0248		9		26-62-5093	A-41792-0265		9		26-62-5097	A-41792-0280		9		41792-0343	A-41792-0343		9																	
	26-62-5101	A-41792-0205		10	26-62-5100	A-41792-0219		10		26-62-5105	A-41792-0249		10		26-62-5103	A-41792-0266		10		26-62-5107	A-41792-0281		10		26-62-5104	A-41792-0344		10																	
	26-62-5111	A-41792-0206		11	41792-0220	A-41792-0220		11		26-62-5115	A-41792-0250		11		26-62-5113	A-41792-0267		11		26-62-5117	A-41792-0282		11		26-62-5114	A-41792-0345		11																	
	26-62-5121	A-41792-0207		12	41792-0221	A-41792-0221		12		26-62-5125	A-41792-0251		12		26-62-5123	A-41792-0268		12		26-62-5127	A-41792-0283		12		41792-0346	A-41792-0346		12																	
	26-62-5131	A-41792-0208		13	41792-0222	A-41792-0222		13		26-62-5135	A-41792-0252		13		26-62-5133	A-41792-0269		13		26-62-5137	A-41792-0284		13		41792-0347	A-41792-0347		13																	
	26-62-5141	A-41792-0209		14	41792-0223	A-41792-0223		14		26-62-5145	A-41792-0253		14		26-62-5143	A-41792-0270		14		26-62-5147	A-41792-0285		14		41792-0348	A-41792-0348		14																	
	26-62-5151	A-41792-0210		15	41792-0224	A-41792-0224		15		26-62-5155	A-41792-0254		15		26-62-5153	A-41792-0271		15		26-62-5157	A-41792-0286		15		41792-0349	A-41792-0349		15																	
	26-62-5161	A-41792-0211		16	41792-0225	A-41792-0225		16		26-62-5165	A-41792-0255		16		26-62-5163	A-41792-0272		16		26-62-5167	A-41792-0287		16		41792-0350	A-41792-0350		16																	
	26-62-5171	A-41792-0212		17	41792-0226	A-41792-0226		17		26-62-5175	A-41792-0256		17		26-62-5173	A-41792-0273		17		26-62-5177	A-41792-0288		17		41792-0351	A-41792-0351		17																	
	26-62-5181	A-41792-0213		18	41792-0227	A-41792-0227		18		26-62-5185	A-41792-0257		18		26-62-5183	A-41792-0274		18		26-62-5187	A-41792-0289		18		41792-0352	A-41792-0352		18																	

	13	12	11	10	9	8	7	6	5	4	3	2	1
D													
C													
B													

E1		SEE SHEET I	B14	SEE SHEET I
E		SEE SHEET I	B10	SEE SHEET I
E		SEE SHEET I	B9	SEE SHEET I
C		SEE SHEET I	B8	SEE SHEET I
B18		SEE SHEET I	B6	SEE SHEET I
B17		SEE SHEET I	B5	SEE SHEET I
B15		SEE SHEET I	B4	SEE SHEET I
LTR.		REVISIONS	LTR.	REVISIONS

DIMENSIONS SHOWN (METRIC) INCH		UNLESS OTHERWISE SPECIFIED TOLERANCES ANGULAR 1/2°	
3 PLACE	±	INCH	METRIC
2 PLACE	±		±
1 PLACE	±		±
DRAFT WHERE APPLICABLE MUST REMAIN WITHIN DIMENSIONS			
DRWG. BY	SAMEIC	CHK'D. BY	PATEL
APP'D. BY	LENZ	SCALE	:

▽ = 0		▼ = 0		REVISE ONLY ON CAD SYSTEM	
TITLE					
FRICTION LOCK HEADER ASSY					
.156 @ BENT SQ PINS, W/O PEG					
41792 SERIES DWG					
FROM: MOLEX INCORPORATED		SHEET NO. 4		DATE 06/25/88	
115LEJLL		60532		U.S.A.	
PART NO. SEE CHART		DRWG. NO. SDA-41792			
FILE NAME 541792X4		THIS DRAWING CONTAINS INFORMATION THAT IS PROPRIETARY TO MOLEX INC. AND SHOULD NOT BE USED WITHOUT WRITTEN PERMISSION.			
DRW. BY	C	DRW. NO.	C	DRW. NO.	C