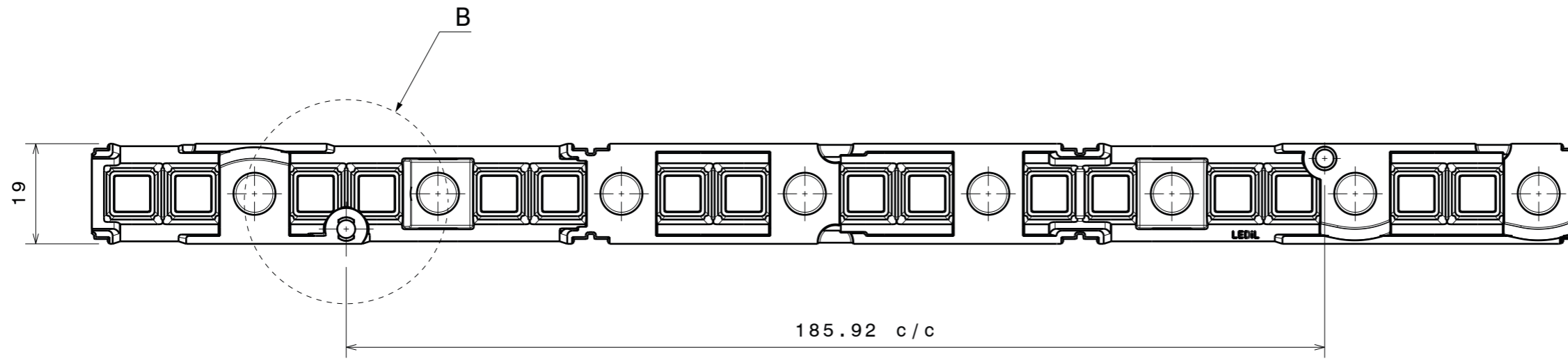


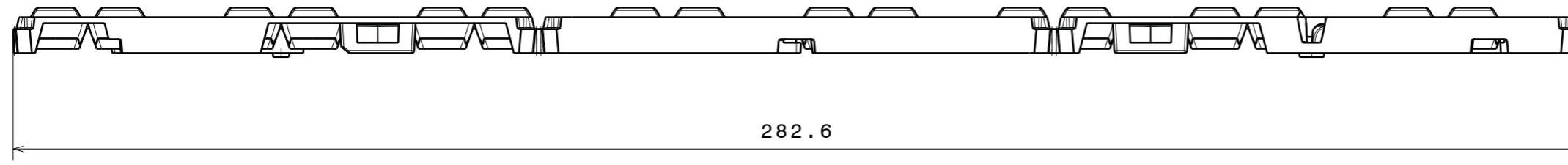
H G F E D C B A

4



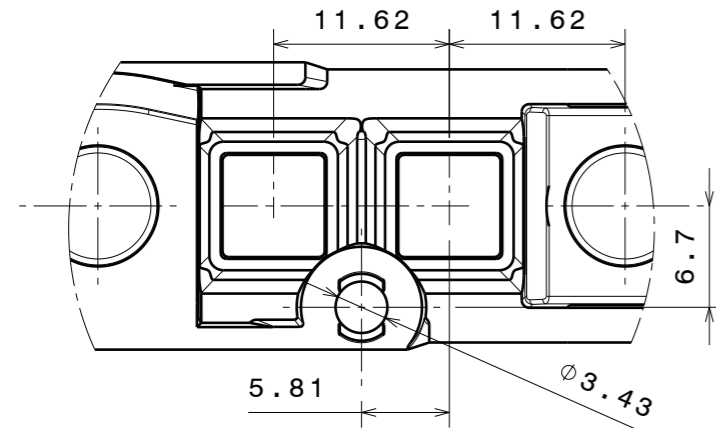
4

3

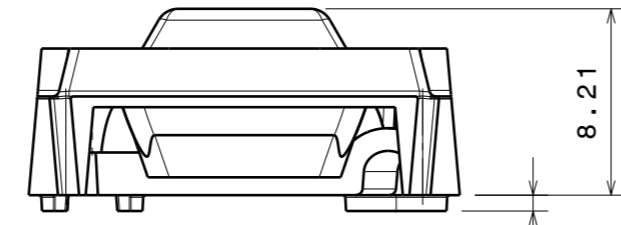


3

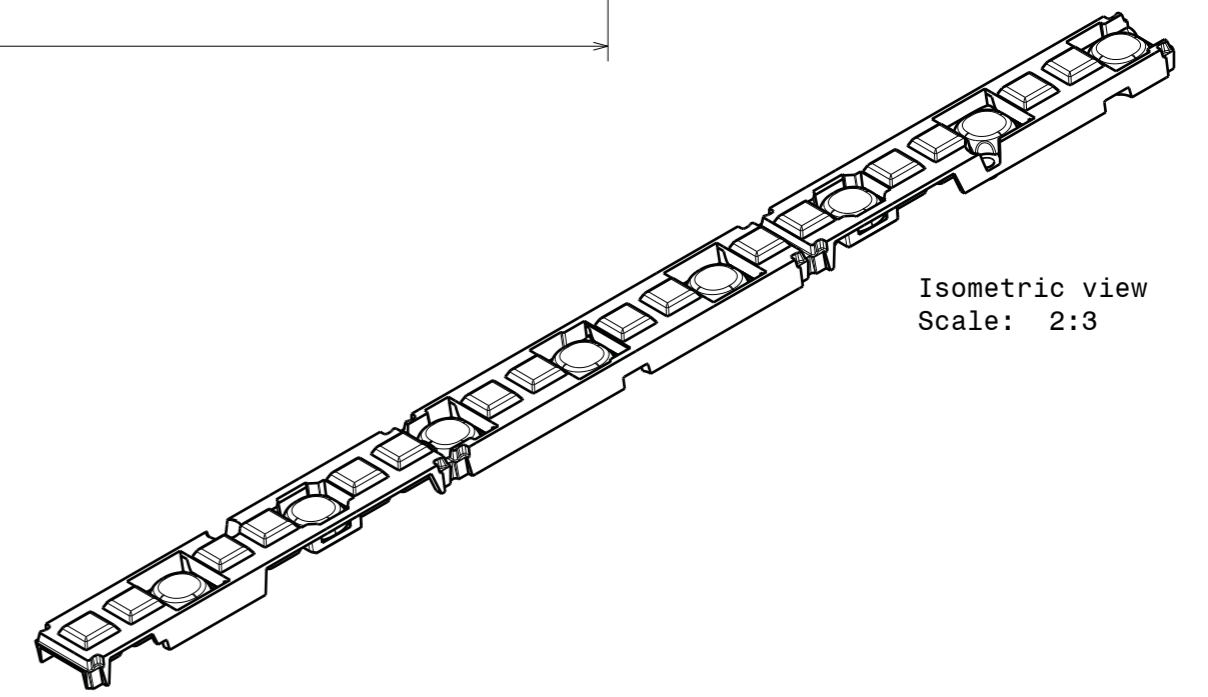
2



Detail B  
Scale: 2:1



Left view  
Scale: 3:1



Isometric view  
Scale: 2:3

2

1

H G F E D C B A

Tolerances if not otherwise shown  
According to DIN ISO 2768-1  
Linear measures:  
up to 30mm class M, otherwise class C  
According to DIN ISO 2768-2  
Form and position: class L

**LEDiL** Ledil Oy  
Salorankatu 10  
FIN 24240 SALO  
Finland

THIRD ANGLE PROJECTION:

DRAWING TITLE  
**Datasheet**

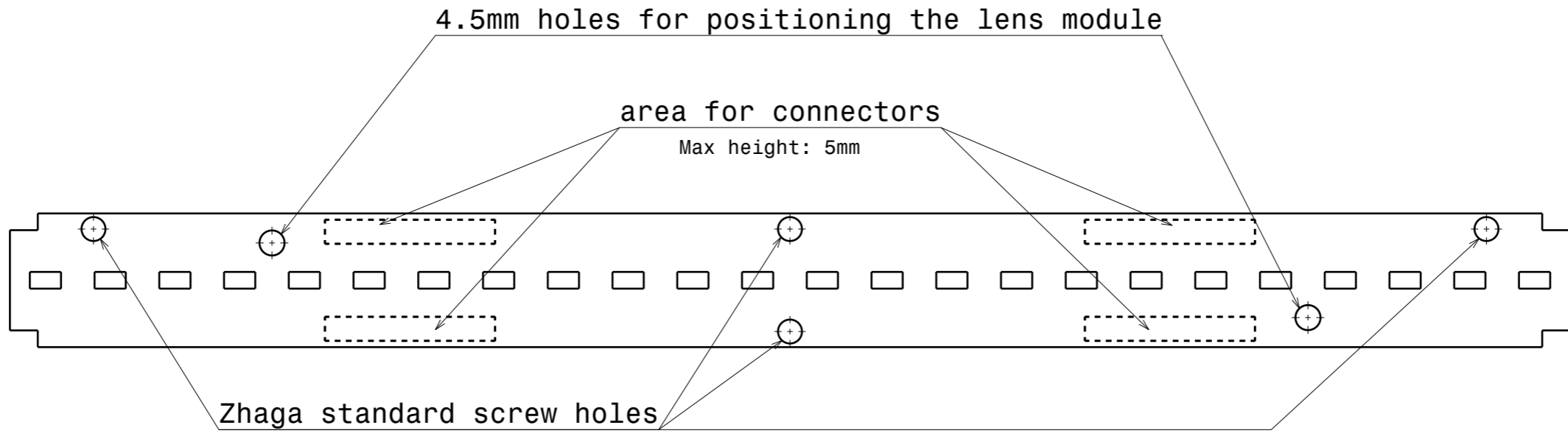
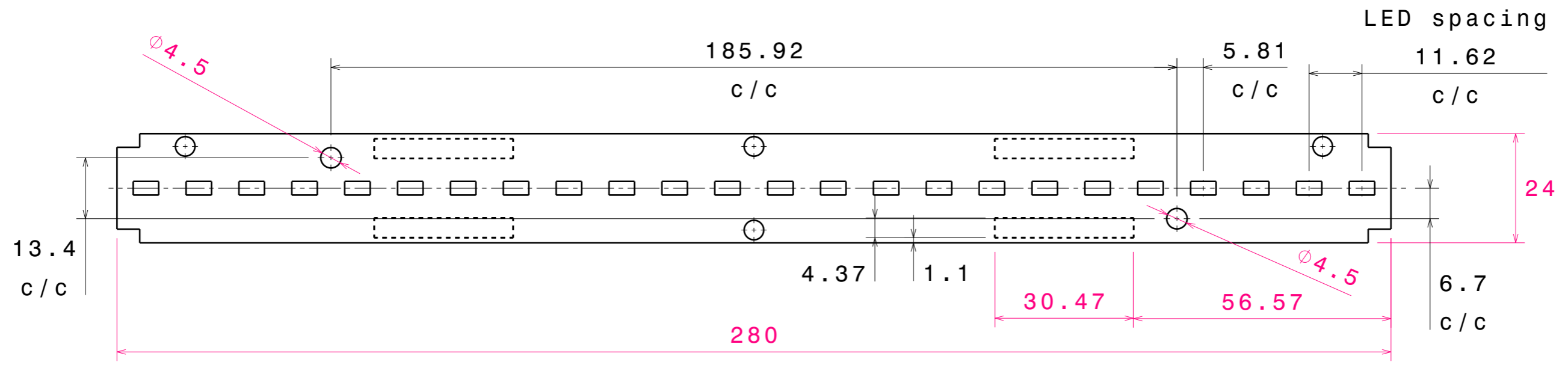
This drawing is the property of LEDiL Oy. It may not be reproduced, copied or communicated without a written agreement with LEDiL Oy.

SIZE	PART NUMBER
A3	F15216_FLORENCE-1R-GC-Z90


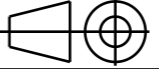
SCALE	1:1	WEIGHT		SHEET	1/3
-------	-----	--------	--	-------	-----

1

H G F E D C B A



Recommended connector type: WAGO 2059

Tolerances if not otherwise shown According to DIN ISO 2768-1 Linear measures: up to 30mm class M, otherwise class C According to DIN ISO 2768-2 Form and position: class L		 LediL Oy Salorankatu 10 FIN 24240 SALO Finland	
THIRD ANGLE PROJECTION: 		DRAWING TITLE <h3 style="text-align: center;">Datasheet</h3>	
This drawing is the property of LEDiL Oy. It may not be reproduced, copied or communicated without a written agreement with LEDiL Oy.		SIZE <b>A3</b>	PART NUMBER <b>F15216_FLORENCE-1R-GC-Z90</b>
		SCALE 1:1	WEIGHT 
		SHEET 2/3	

H G B A

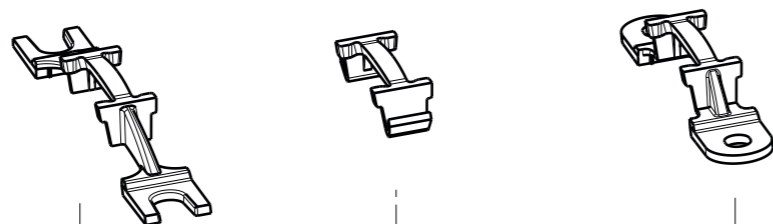
# Fastening options

2x M3 screws

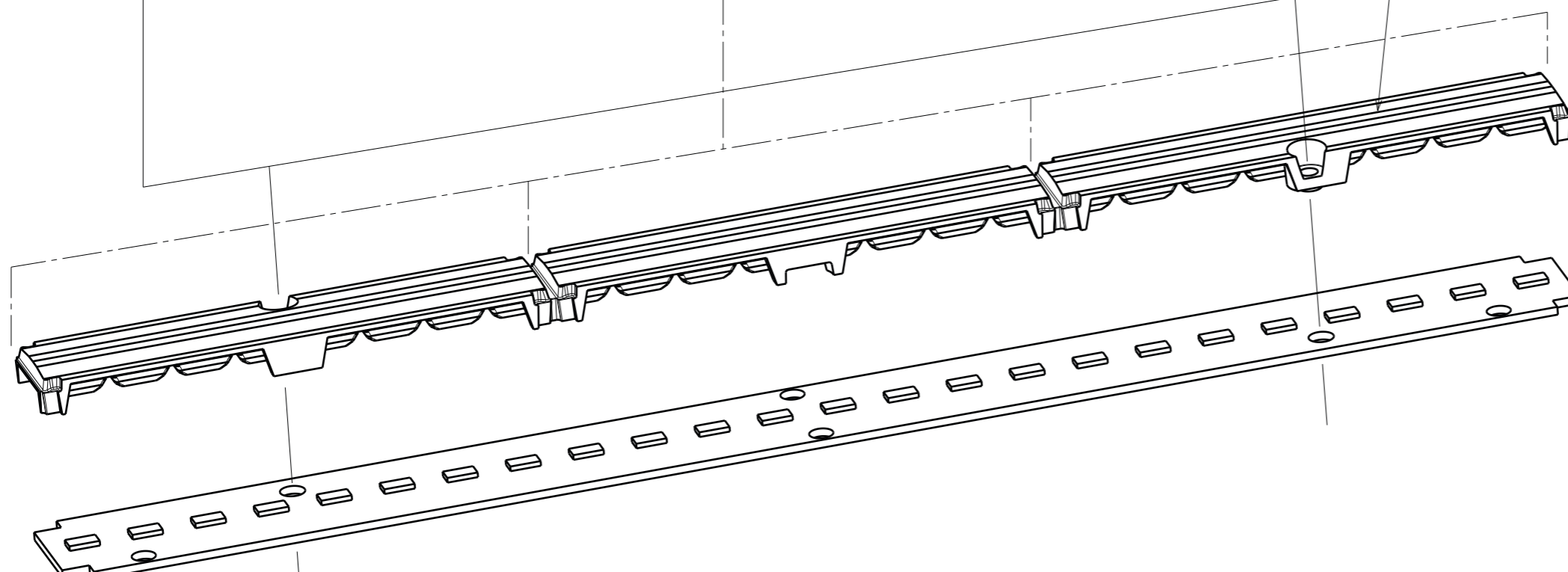
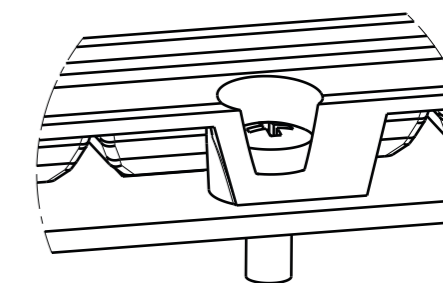
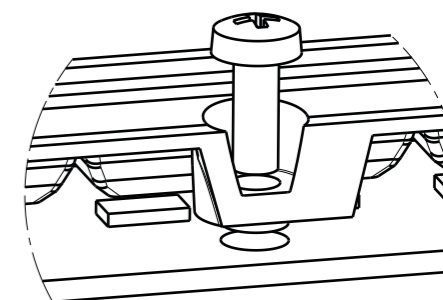


or

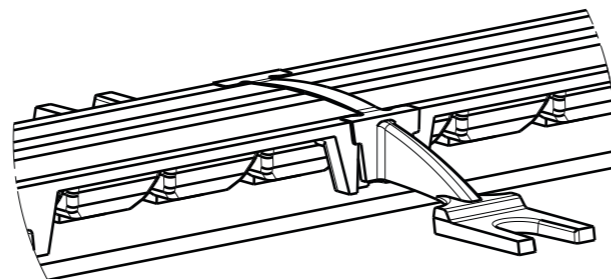
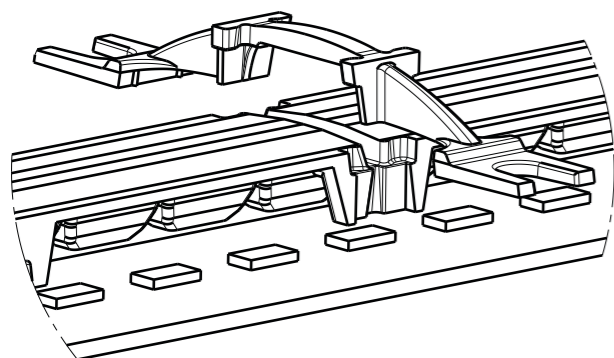
2-4x Florence-1R clips



Typical FLORENCE-1R shown



Max torque for screw: 0.6Nm



Tolerances if not otherwise shown  
According to DIN ISO 2768-1  
Linear measures:  
up to 30mm class M, otherwise class C  
According to DIN ISO 2768-2  
Form and position: class L

**LEDiL** Ledil Oy  
Salorankatu 10  
FIN 24240 SALO  
Finland

THIRD ANGLE PROJECTION:

DRAWING TITLE  
**Datasheet**

This drawing is the property of LEDiL Oy. It may not be reproduced, copied or communicated without a written agreement with LEDiL Oy.

SIZE	PART NUMBER		
<b>A3</b>	<b>F15216_FLORENCE-1R-GC-Z90</b>		

SCALE	1:1	WEIGHT		SHEET	3/3
-------	-----	--------	--	-------	-----

4

4

3

3

2

2

1

1

H

G

B

A