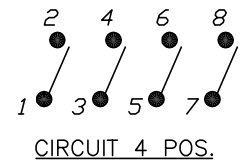
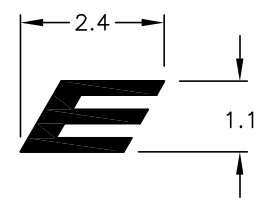
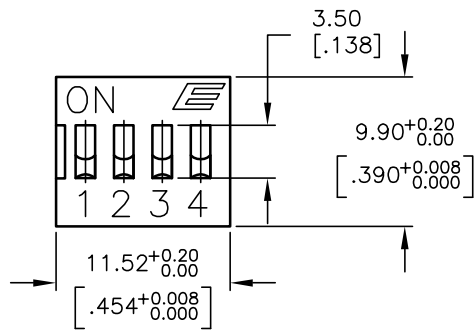


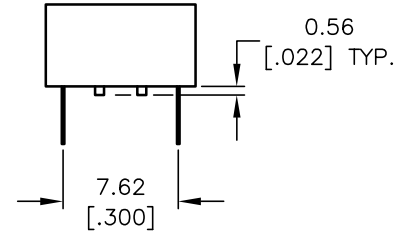
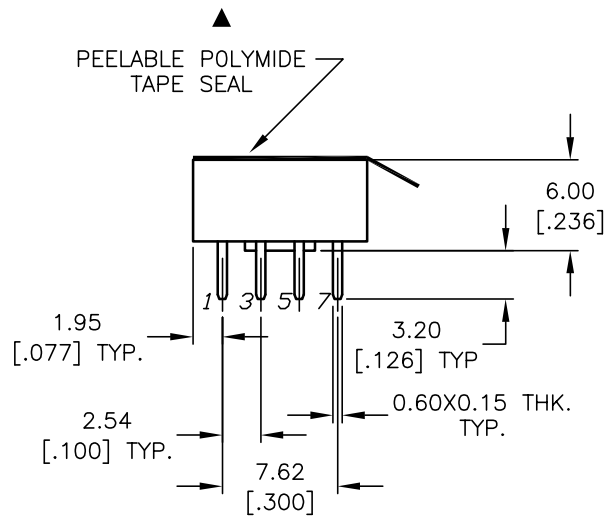
\*(Pos. 1 Denotes Pin No. 1)  
RECOMMEND P.C.B. LAYOUT



- NOTES:
1. ALL DIMENSIONS IN MM [INCH]
  2. GENERAL TOLERANCE: X.X=±0.4  
X.XX=±0.25
  3. TERM. NOS. FOR REFERENCE ONLY.
  - ▲ 4. CONTACT RATINGS: 25mA @24VDC. (Switch)  
100mA @50VDC. (Carry)
  5. CONTACT MATERIAL:  
CONTACTS: (MOVABLE) GOLD PLATE  
TERMINALS: GOLD PLATE
  6. INSULATION RESISTANCE;  
100 MEGA-OHMS MIN. @500VDC
  7. CONTACT RESISTANCE;  
50 MILLI-OHMS TYPICAL @2-4VDC @100mA
  8. OPERATING TEMP.;;  
-40°C to +80°C
  - ▲ 9. PACKAGE: IN DISPENSING TUBES  
WITH ALL POLES IN THE "OFF" POSITION.
  - ▲ 10. TAPE SEAL FOR FLUX WASH.
  11. ▲ DENOTES CRITICAL PARAMETER.



EXPLODED VIEW



|                    |     |      |         |         |
|--------------------|-----|------|---------|---------|
| <b>E-SWITCH®</b>   |     |      |         |         |
| TITLE<br>KAS1104RT |     |      |         |         |
| SCALE              | 2:1 | DATE | 11/9/04 | DR      |
|                    |     |      | AR      | DWG     |
|                    |     |      |         | N311041 |
|                    |     |      |         | REV     |
|                    |     |      |         | A       |

THE INFORMATION CONTAINED IN THIS DOCUMENT IS PROPRIETARY TO E-SWITCH AND IS NOT TO BE COPIED OR TRANSFERRED