
Product Change Notification (PCN)

Issue Date: **7/9/2018**
Modification/Revision Date: **7/9/2018**

DSUB Cable

Change Notification: **PCN-US-20180701 AK553F-2**

Description of changes

1. **Change of tooling**
2. **Change of specifications**
 - a. **Change of wire color (see page 2)**
 - b. **Change of over-molding design (see page 2)**
 - c. **Drawing ASS_8320_CA (see page 3) replaces all previous drawings**

Date of change and Implementation: **7/9/2018**

Products Affected: **AK553F-2**

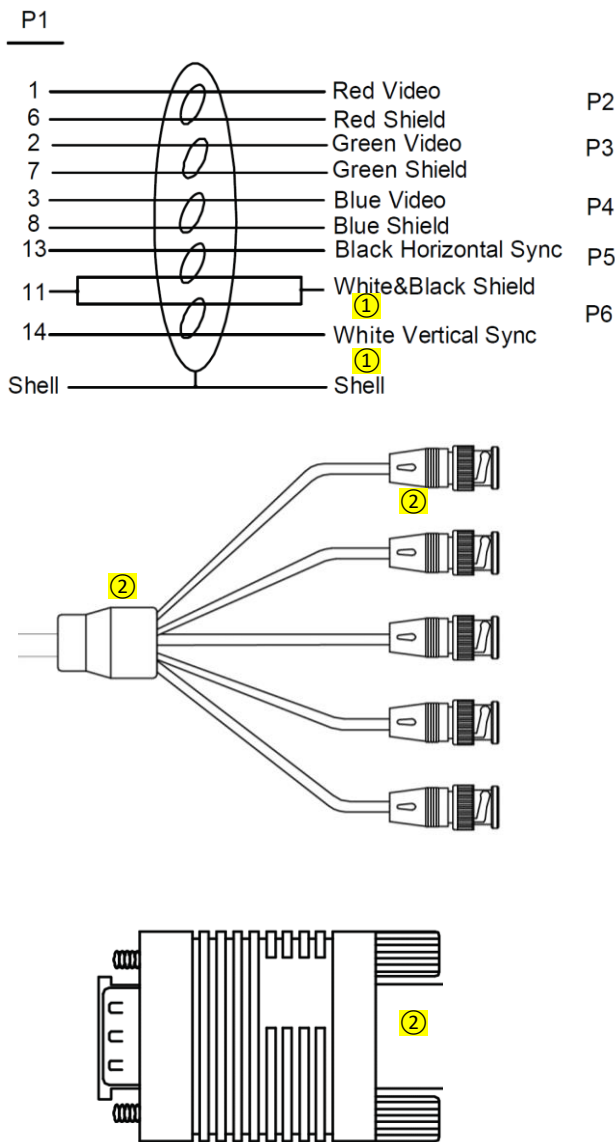
Reason for Change: **Change of tooling**

Response: **No response to this notification is required.**

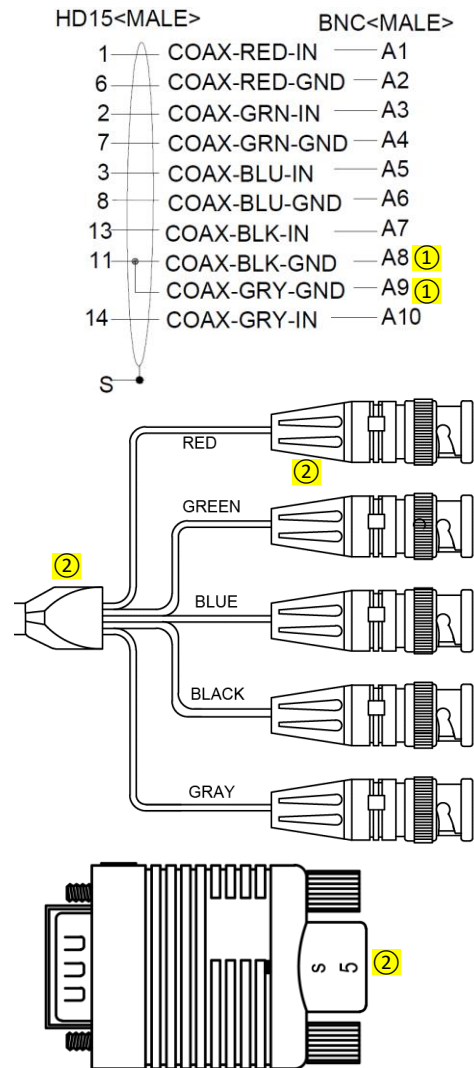
Product Change Notification (PCN)

Issue Date: 7/9/2018
Modification/Revision Date: 7/9/2018

Old Version



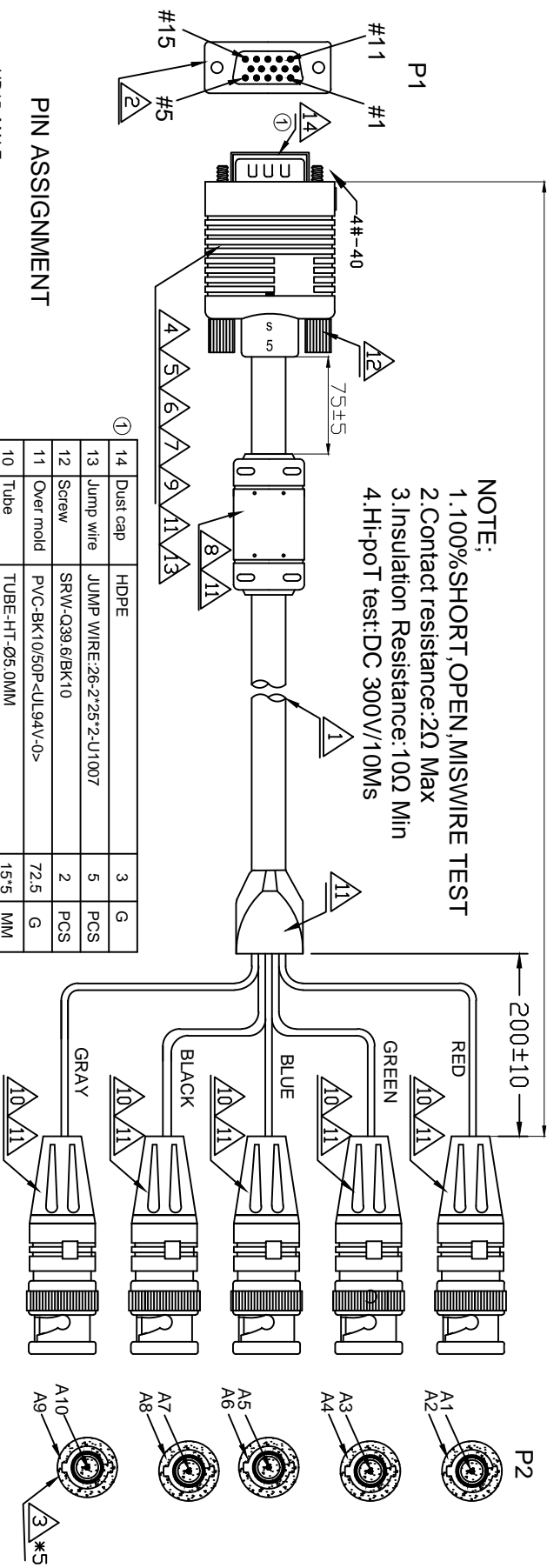
New Version



(1): Change of white wire to gray wire.

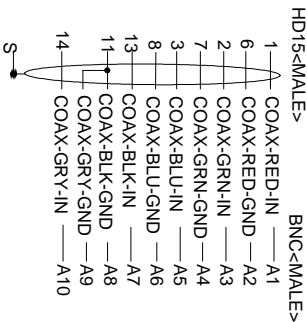
(2): Change of over-molding designs.

2000±50



NOTE:
 1. 100% SHORT, OPEN, MISWIRE TEST
 2. Contact resistance: 2Ω Max
 3. Insulation Resistance: 10Ω Min
 4. Hi-pot test: DC 300V/10ms

PIN ASSIGNMENT



NO	TYPE	DESCRIPTION	QTY	UNIT
1	Cable	UL2919-5COAX*28#+ADB-BK10-Ø9.0	2.03	M
2	Conn.	CDS-H15P(BU)	1	PCS
3	Conn.	BNC-PLUG-Ø9.5 75Ω, ID:3.0MM	5	SET
4	Tube	TUBE-HT-Ø2.0MM	6*5	MM
5	Inner mold	PE-5321	4.0	G
6	Foil	FOIL-CU-32MM	55*1	MM
7	Tape	HI TEMP TAPE:W:24MM,L:70MM	1	PCS
8	Core	CORE:17.5*28.5*10.5MM	1	PCS
9	Tape	TAPE:W:12MM,L:40MM	1	PCS
10	Tube	TUBE-HT-Ø5.0MM	15*5	MM
11	Over mold	PVC-BK10/50P<UL94V-0>	72.5	G
12	Screw	SRW-Q39.6/BK10	2	PCS
13	Jump wire	JUMP WIRE:26*25*2-U1007	3	PCS
14	Dust cap	HDPE	3	G

ROHS compliant

Unit: mm

Scale	Free	Date	Name
TOLERANCE		06.07.2018	Xavier
DIM	TOL	06.07.2018	Winnie
Angle	TOL		

Id.	Modification	Date	Name
①	Add dust cap	16.07.2018	Xavier
②	Drawn	06.07.2018	Xavier

ASSMANN
 wsw components

Customer-No.
 ASSMANN WSW-No.
 AK553F-2

Drawing-No.
 ASS 8320 CA

Replace
 rev01

Sheet
 1/1

1

2

3

4

5

6

7

CA80394