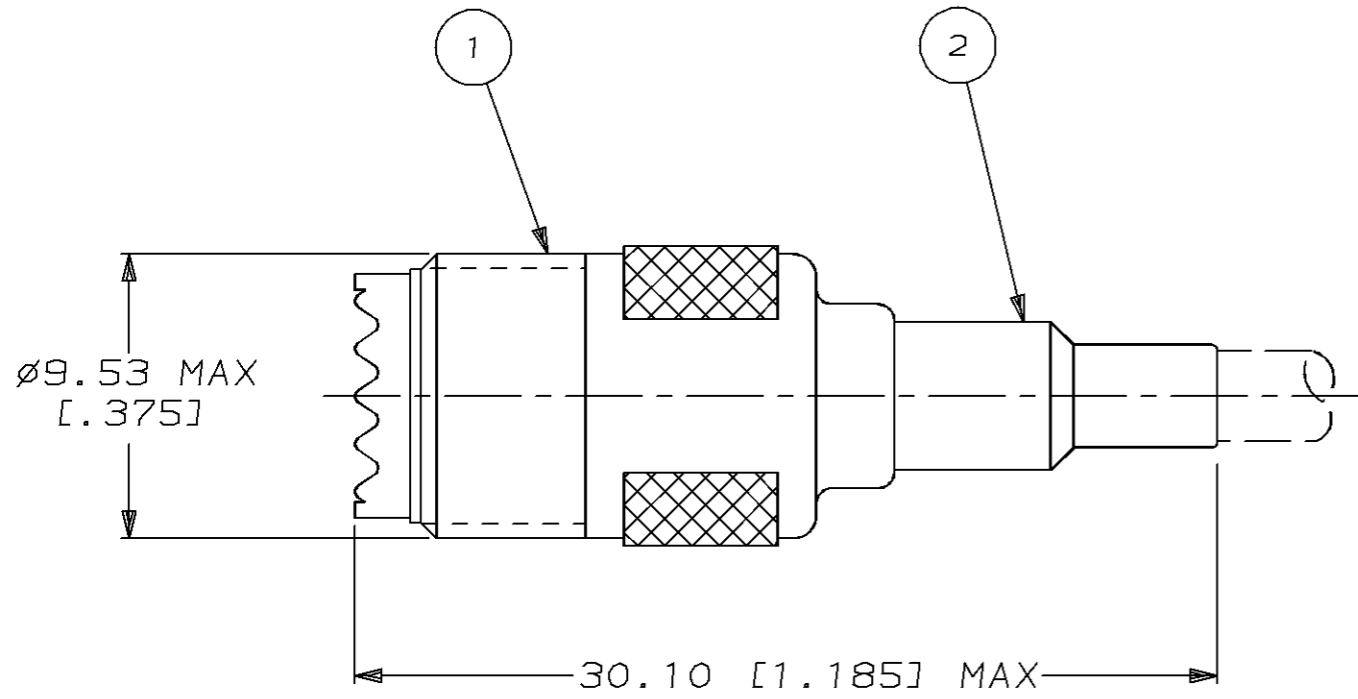
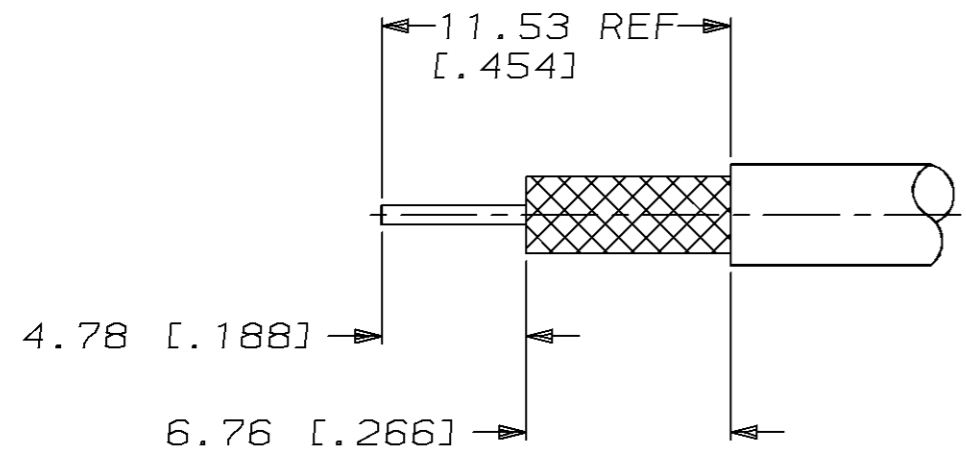


THIS DRAWING IS UNPUBLISHED. RELEASED FOR PUBLICATION, 19 .  
 © COPYRIGHT 19 BY AMP INCORPORATED. ALL INTERNATIONAL RIGHTS RESERVED.

LOC	DIST	P	F	ZONE	LTR	DESCRIPTION	DATE	APPD
AJ	16				0	REL PER 92-3338-008	12-2-92	MS
		✓	✓		A	REV STRIP LENGTH PER 0130-0228-93	4-20-93	MS
		✓	✓		B	REVISED PER 0220-0723-94	10-17-94	JG



- △ 1 FOR USE WITH: RG-316/U CABLE
- △ 2 USE CRIMPING TOOL: PNEUMATIC TOOL 69365-3 WITH DIE SET 58159-1



RECOMMENDED STRIP LENGTH

2-328666-5	414479-1	414477-1
② FERRULE QTY=1	① JACK ASSY QTY=1	PART NO

DO NOT SCALE PRINT. UNLESS SPECIFIED DIMENSIONS IN mm [INCHES] TOLERANCES ON: 2 PLC DEC ± 0.38 [0.015] 3 PLC DEC ± - ANGLES ± -		DR 6-3-92 M. SNEED	<b>AMP</b> AMP Incorporated Harrisburg, PA 17105-3608
MATERIAL -	CHK 6-3-92 J. DUNBAR	NAME JACK, MINIATURE UHF	
FINISH -	APPD 12-2-92 J. DUNBAR	SIZE B	CAGE CODE 00779
	APPD 12-2-92 M. SNEED	DRAWING NO C-414477	
	PRODUCT SPEC -	SCALE 4:1	SHEET 1 OF 1
	APPLICATION SPEC -		
	WEIGHT -		

THIS DRAWING IS A CONTROLLED DOCUMENT FOR AMP INCORPORATED. IT IS SUBJECT TO CHANGE AND THE CONTROLLING ENGINEERING ORGANIZATION SHOULD BE CONTACTED FOR THE LATEST REVISION.