



Single-Ended Cordsets

AUTOMOTIVE

#16 AWG yellow type 500 cable – auto color code
 Oil-resistant NBR rubber jacket
 Low-resistance contact design with gold/palladium nickel plating

	3P	4P	5P
FEMALE FACE VIEW			
COLOR CODE	1- green-gnd 2- red w/ black trace 3- red w/ white trace	1- red w/ black trace 3- red 2- red w/ white trace 4- green-gnd	1- red w/ white trace 4- red w/ orange trace 2- red 5- red w/ black trace 3- green-gnd
VOLTAGE	600V AC/DC	600V AC/DC	600V AC/DC
CURRENT	13A	10A	8A
CONDUCTOR	#16-3	#16-4	#16-5

FEMALE	FIG	SINGLE-ENDED CORDSETS WITH #16 AWG TYPE 500 CABLE 3 FEET LONG		
STRAIGHT	1	103000C01F030	104000C01F030	105000C01F030
90°	2	103001C01F030	104001C01F030	105001C01F030
MATING RECEPTACLE*	5	1R3006A24A120	1R4006A20A120	1R5006A24A120
MALE	FIG	SINGLE-ENDED CORDSETS WITH #16 AWG TYPE 500 CABLE 3 FEET LONG		
STRAIGHT	3	103002C01F030	104002C01F030	105002C01F030
90°	4	103003C01F030	104003C01F030	105003C01F030
MATING RECEPTACLE*	5	1R3004A24A120	1R4004A20A120	1R5004A24A120

CATALOG OPTIONS

*See Pages 62 or 46 for additional Mating Receptacles

Use the following chart to modify your part's specifications

103000C01F0301

CABLE LENGTH

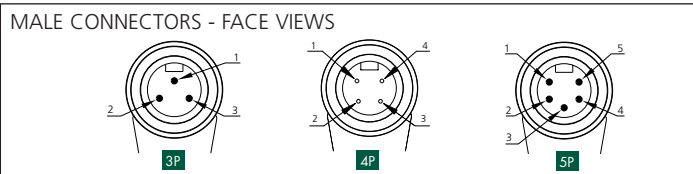
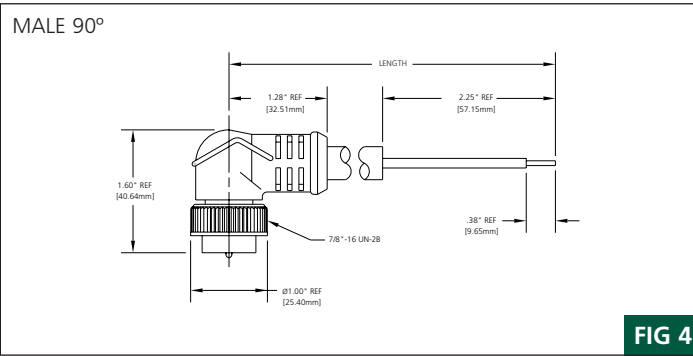
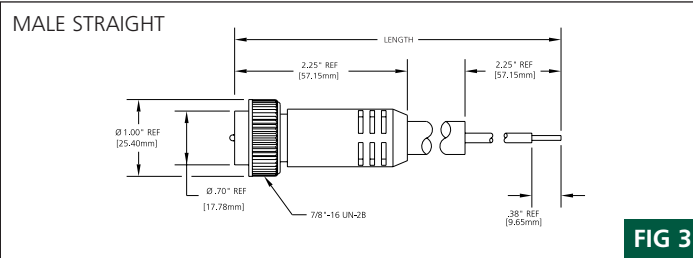
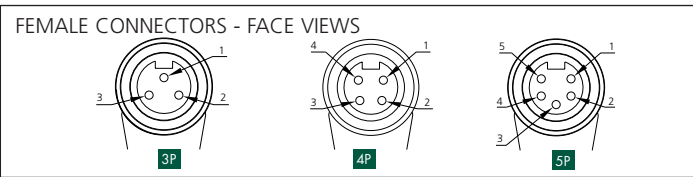
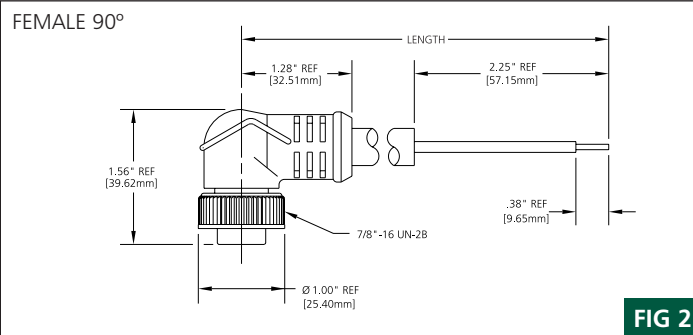
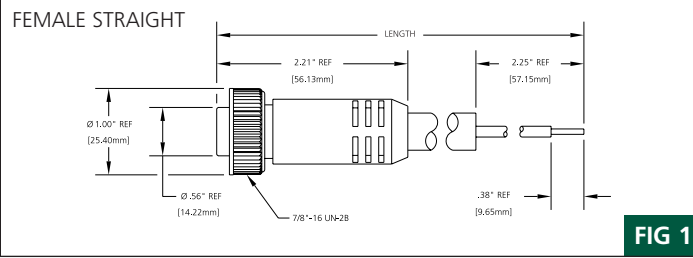
6'	060
12'	120
20'	200

COUPLING NUT

STAINLESS STEEL	...ADD 1
NON-METALLIC	...ADD 2

Specifications

CONNECTOR DIMENSIONS



MECHANICAL
 CONNECTOR FACE: PVC - UL STD 94 - V0
 MOLDED BODY: PVC - UL STD 94 - V0
 COUPLING NUT: ZINC DIECAST W/ BLACK EPOXY COAT, OPTIONAL STAINLESS STEEL TYPE 303 OR NON-METALLIC GRAY NYLON 6/6

CABLE:
 YELLOW, #16 AWG, NITRILE RUBBER/PVC JACKET, HYPALON CONDUCTOR INSULATION OVER 65 X #34 COPPER STRANDING, 600V, UL TYPE S00 CSA 50

OUTSIDE DIAMETER:
 3P - .42" (10.7mm)
 4P - .45" (11.4mm)
 5P - .52" (13.2mm)

ELECTRICAL
 VOLTAGE RATING: 600V AC/DC
 AMPERAGE:
 3P - 13A
 4P - 10A
 5P - 8A

ENVIRONMENTAL
 PROTECTION: IP 68, NEMA 6P
 AMBIENT OPERATING TEMP: -4° TO 194° F (-20° TO 90° C)

CERTIFICATIONS
 UL: UL RECOGNIZED, FILE NO. E46237
 CSA: CSA CERTIFIED, FILE NO. LR6837

RECEPTACLE DIMENSIONS

