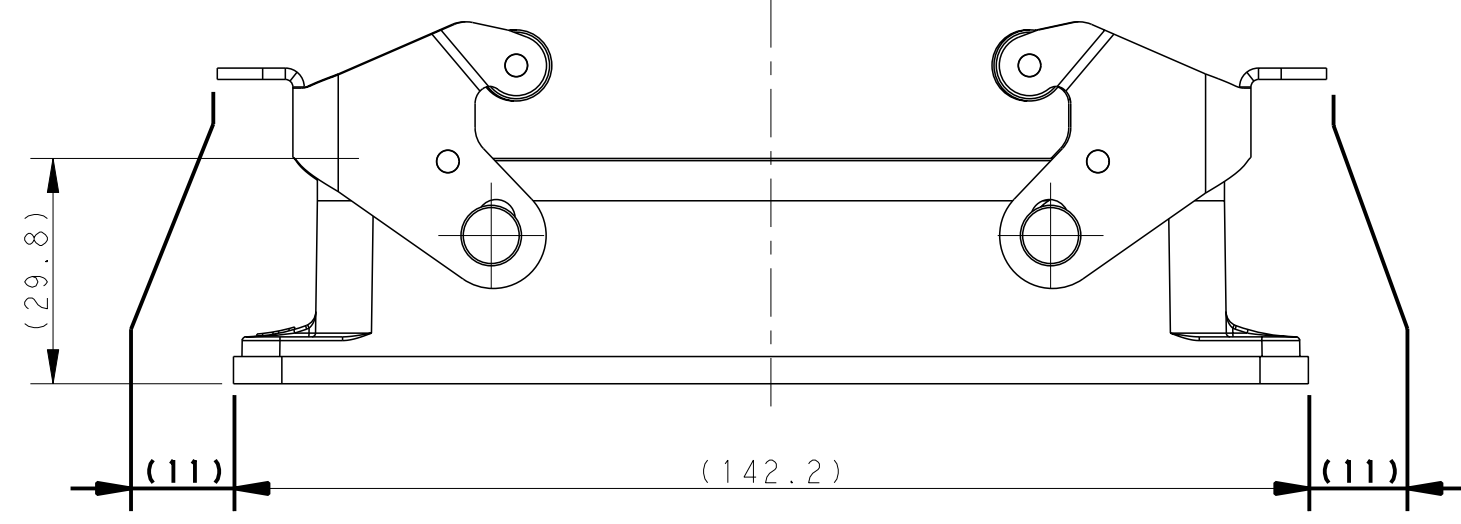
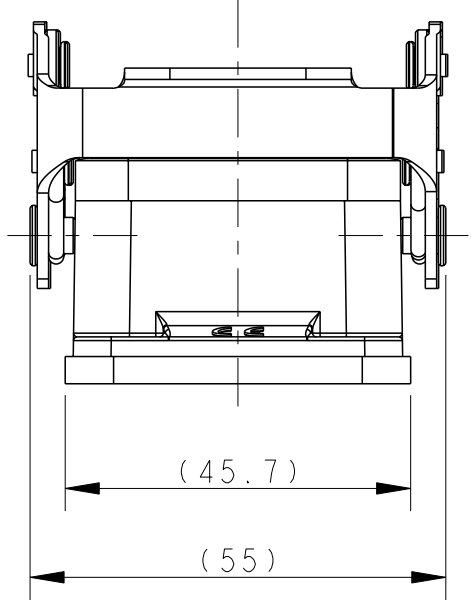
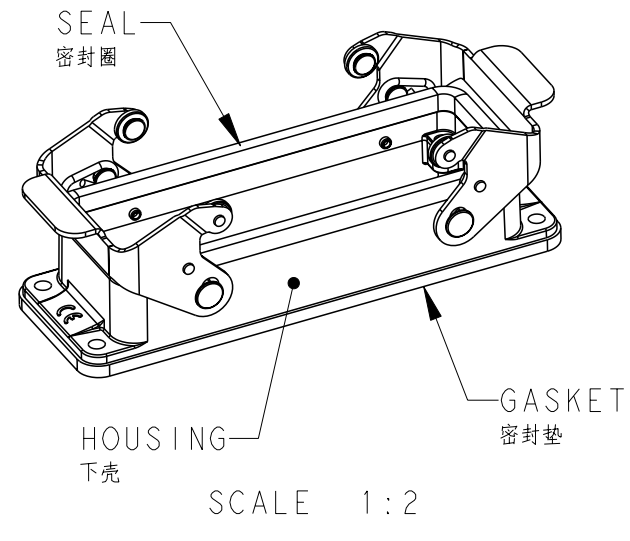


THIS DRAWING IS UNPUBLISHED. RELEASED FOR PUBLICATION 20  
 © COPYRIGHT 20 BY - ALL RIGHTS RESERVED.

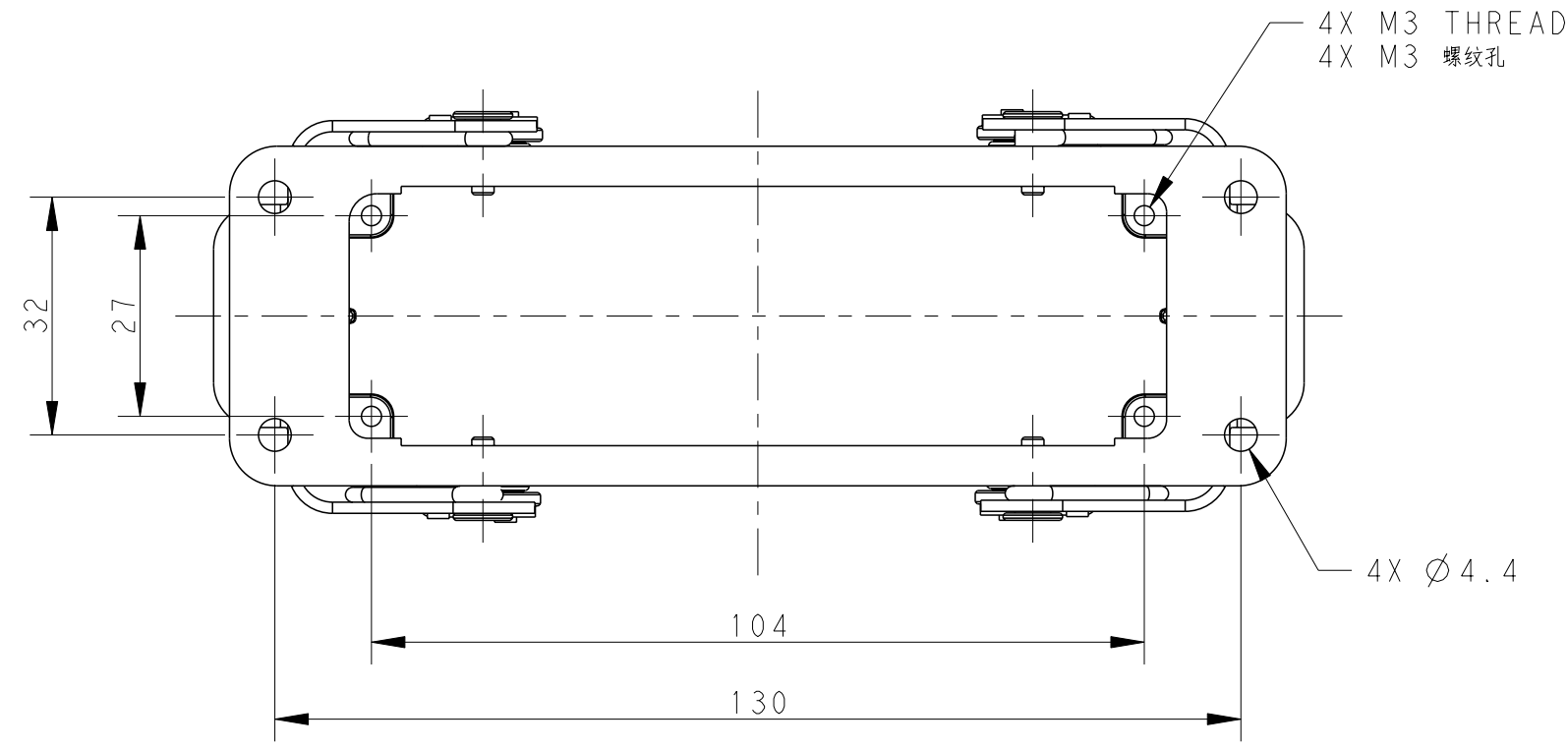
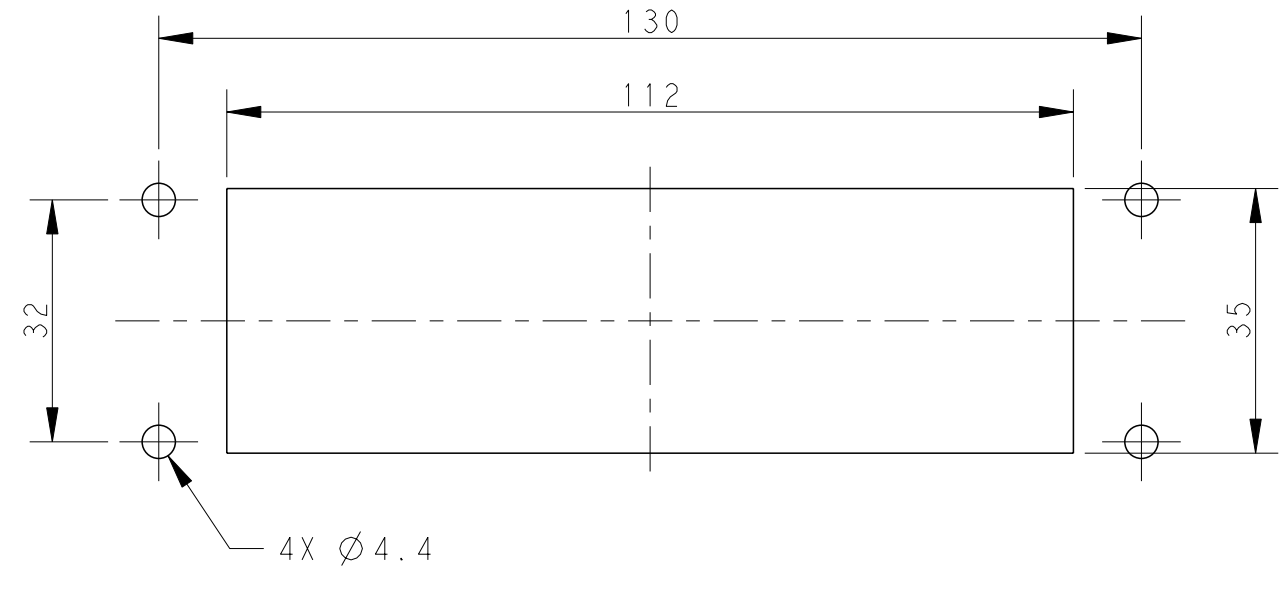
REVISIONS					
P	LTR	DESCRIPTION	DATE	DWN	APVD
A2		ECR-15-010519	20JUN2015	DW	CW
A3		ECR-16-010326	07JUL2016	DW	CW
A4		ECR-16-018349	30DEC2016	DW	CW
B		ECR-20-014876	03JUN2021	WQR	CW



NOTES:  
 1. TECHNICAL CHARACTERISTICS:  
 HOUSING MATERIAL: DIE CAST ALUMINIUM ALLOY  
 HOUSING SURFACE: POWDER COATED, GREY, RAL7037  
 SEAL MATERIAL: NBR  
 GASKET MATERIAL: EPDM  
 DEGREE OF PROTECTION: IP65 (MATED)

注释:  
 1. 技术参数:  
 下壳材料: 铝合金  
 下壳表面处理: 灰色粉末涂层, RAL7037  
 密封圈材料: NBR  
 密封垫材料: EPDM  
 防护等级: IP65(配合)

PANEL CUT OUT



T1410241000-000	H24B-AGS	H24B HOUSING, BULKHEAD MOUNTED, STAINLESS STEEL DOUBLE LOCKING POWDER COATED, GREY H24B下壳, 开孔安装, 不锈钢双扣, 灰色粉末喷涂
PART NUMBER 零件料号	PART DESCRIPTION 零件描述	

THIS DRAWING IS A CONTROLLED DOCUMENT.		DWN DAVID WANG 11 JUN 2014	 TE Connectivity NAME H24B-AGS
DIMENSIONS: mm		CHK CHRIS WANG 11 JUN 2014	
TOLERANCES UNLESS OTHERWISE SPECIFIED:		APVD XIANG XU 11 JUN 2014	
0 PLC ± 1 PLC ± 2 PLC ± 3 PLC ± 4 PLC ± ANGLES ± FINISH -		PRODUCT SPEC 108-137013 APPLICATION SPEC 114-137013 WEIGHT -	
MATERIAL	-	CUSTOMER DRAWING	SIZE A2 CAGE CODE 00779 DRAWING NO. C-T1410241000000 RESTRICTED TO SCALE 1:1 SHEET 1 OF 1 REV B

Printed on 3 Jun 2021 14:41 (China Standard Time) from TE343646