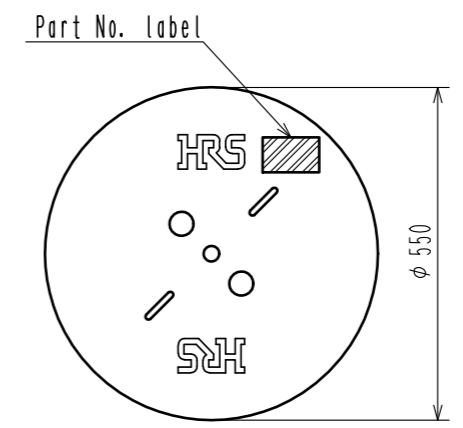


Apr.1.2017 Copyright 2017 HIROSE ELECTRIC CO., LTD. All Rights Reserved.

1 2 3 4 5 6 7 8

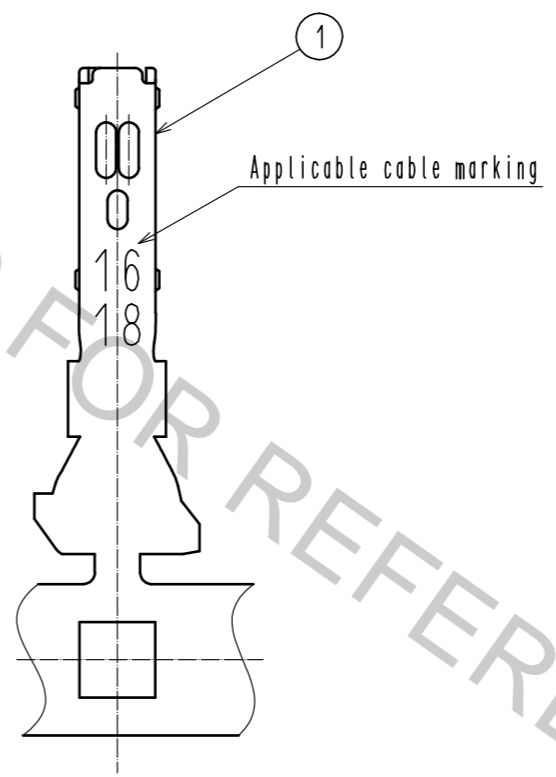
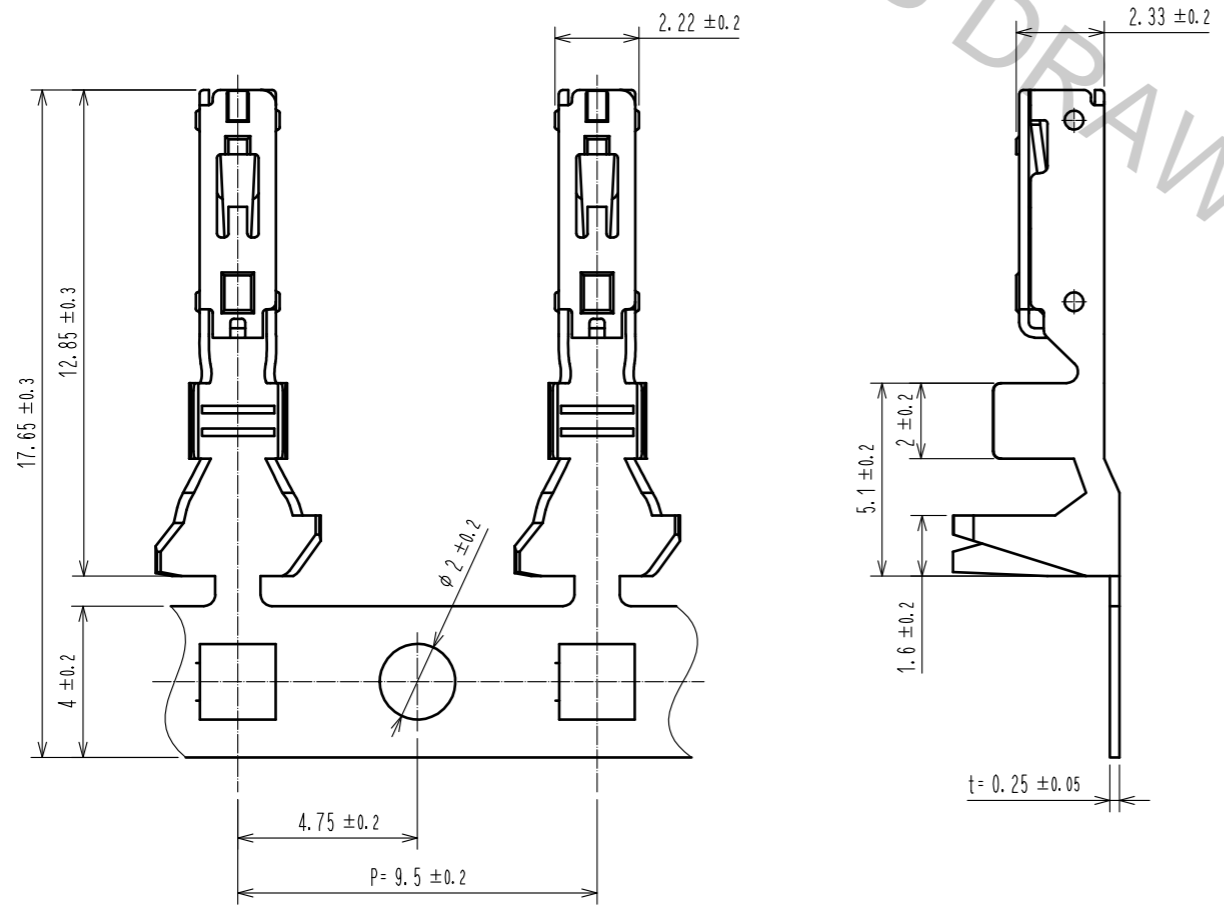
A
B
C
D
E
F

2 Reel style and dimensions



Detail of part No. label

HRS		Inspection
Code No.	CL680-0600-5	
Part No.	DF63W-1618SCF	
Quantity	4000	
Specification		
Lot No.		
Section		



Notes

1. 1RL : 4000 contacts.
2. Style of reel and box are shown in figure.
3. Up to 4 reels are packed up in one box.
4. Please be sure to check the form of crimping using a cable when you adjust applicator.

1	Phosphor bronze	Tin plating : 1μm MIN
NO.	MATERIAL	FINISH . REMARKS

UNITS mm		SCALE 5 : 1	COUNT 	DESCRIPTION OF REVISIONS	DESIGNED	CHECKED	DATE
HIROSE ELECTRIC CO., LTD.				APPROVED : HK. UMEHARA	15.03.10	DRAWING NO. EDC-359204-00-00	
				CHECKED : HK. UMEHARA	15.03.10	PART NO. DF63W-1618SCF	
				DESIGNED : TO. HORII	15.03.10	CODE NO. CL680-0600-5-00	
				DRAWN : TO. HORII	15.03.10	1/1	