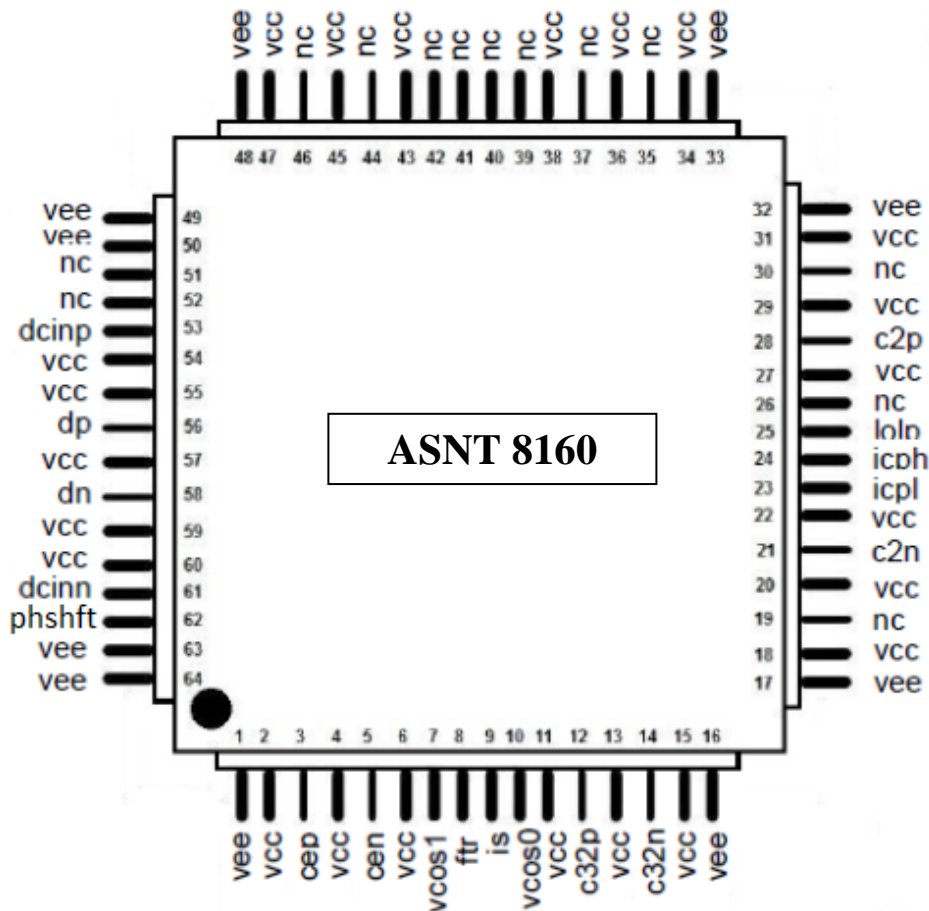




ASNT8160-KMF Programmable CR

- Up to 65Gb/s half-rate clock recovery circuit
- CR range from 25.5GHz to 32.5GHz covered by 3 selectable VCOs
- NRZ input data format
- CML compliant differential input and output high-speed data and clock interfaces
- LVDS compliant input reference clock interface
- Half rate clock output up to 32.5GHz for a 65Gb/s input data signal
- Single +3.3V or -3.3V power supply
- Low power consumption of 1.6W at the maximum operational speed
- Industrial temperature range
- Custom CQFP 64-pin package





DESCRIPTION

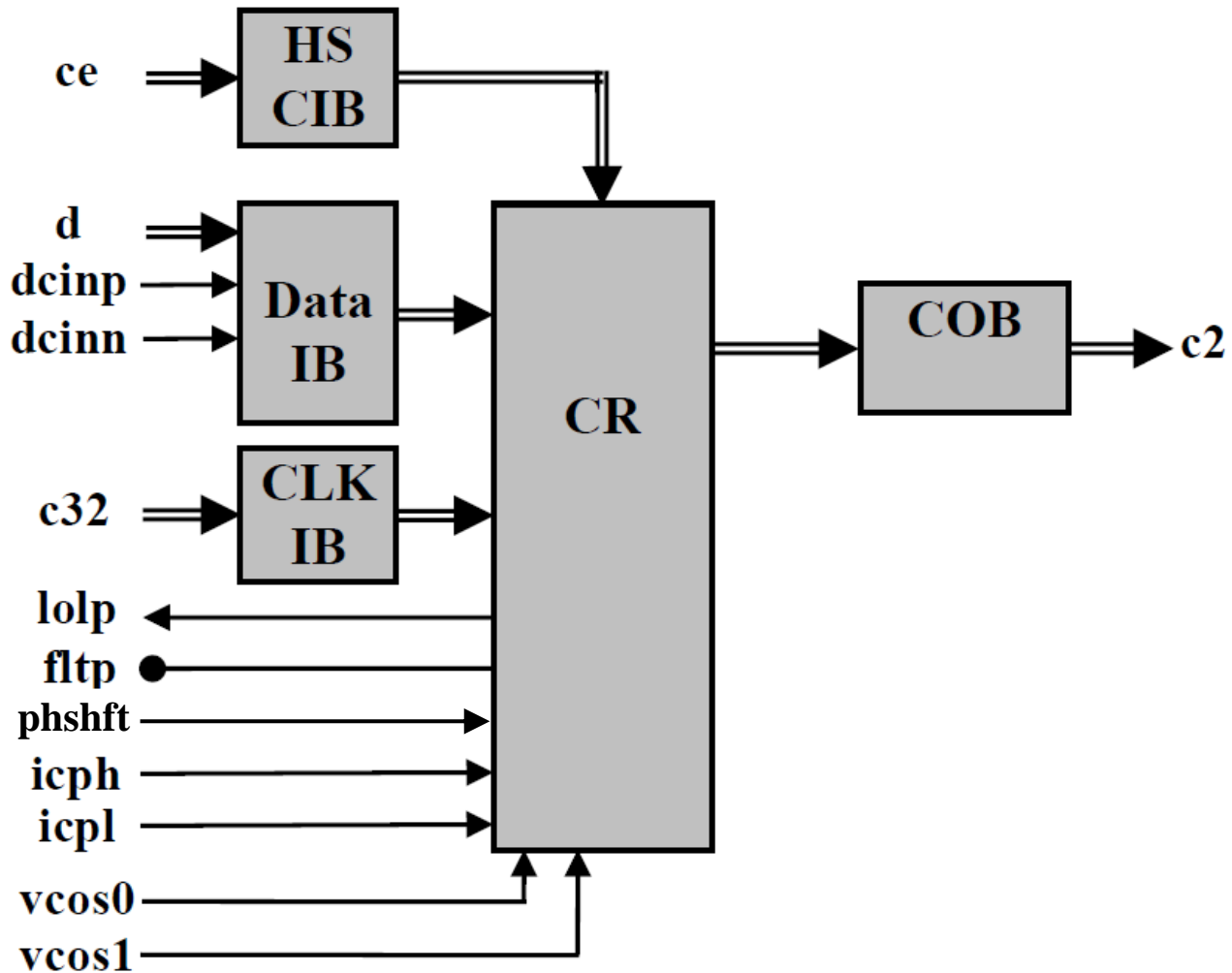


Fig. 1. Functional Block Diagram

ASNT8160-KMF is a half-rate integrated clock recovery (CR) circuit. The IC shown in Fig. 1 functions in the CR mode covering a wide range of input data rates (f_{bit}) by utilizing its three on-chip VCOs (voltage-controlled oscillators). Selection of the desired working data rate and mode is accomplished through pins $vcos0$ and $vcos1$ (see Table 1). An external low speed system clock $c32p/c32n$ running at 1/32 the frequency of the active VCO must be applied to the low-speed LVDS clock input buffer (CLK IB) for the IC to work properly.

The main function of the chip is to recover from an NRZ input data signal dp/dn with a bit rate of f_{bit} accepted by CML buffer (Data IB) a half-rate clock $c2p/c2n$ that is delivered to the output by the CML clock output buffer (COB). For example, a 30GHz clock signal will be generated from a 60Gb/s input data signal. The signal $phsft$ is used to properly set the phase of the internal clock.

Data IB can operate with either differential or single-ended input signals. It includes tuning pins $dcinp/dcinn$ for DC offset of the input signals in case of AC termination. When the buffer is operating

with a DC-terminated single ended input signal, a correct threshold voltage should be applied to the unused input pin.

All CML I/Os provide on chip 50Ω termination to **vcc** and may be used differentially, AC/DC coupled, single-ended, or in any combination (see also POWER SUPPLY CONFIGURATION).

A loss of lock CMOS alarm signal **lolp** is generated by the CR to indicate its locking state. An off chip passive filter is required by the CR, and should be connected to pin **fttr** (see CR section).

The clock recovery circuit is characterized for operation from 0°C to 125°C of junction temperature. The package temperature resistance is $15^{\circ}\text{C}/\text{W}$.

Data IB

The Data Input Buffer (Data IB) can process an input CML data signal **dp/dn** in NRZ format. It provides on-chip single-ended termination of 50Ω to **vcc** for each input line. The buffer can also accept a single-ended signal to one of its input ports **dp** or **dn** with a threshold voltage applied to the unused pin in case of DC termination. In case of AC termination, tuning pins **dcinp/dcinn** allow for data common mode adjustment. The tuning pins have $1\text{K}\Omega$ terminations to **vcc** and allow the user to change the slicing level before the data is sent to the clock recovery section. Tuning voltages from **vcc** to **vee** deliver 150mV of DC voltage shift.

HS CIB

The High-Speed Clock Input Buffer (HS CIB) can process either differential or single-ended external CML clock signals **cep/cen**. In single-ended mode, the clock is applied to one of the pins together with a threshold voltage applied to the unused pin. The buffer utilizes on-chip single-ended termination of 50Ω to **vcc** for each input line. This functionality is for test purposes only.

CLK IB

The Clock Input Buffer (CLK IB) consists of a proprietary universal input buffer (UIB) that exceeds LVDS standards IEEE Std. 1596.3-1996 and ANSI/TIA/EIA-644-1995. UIB is designed to accept differential signals with a speed up to 1Gb/s , DC common mode voltage variation between **vcc** and **vee**, AC common mode noise with a frequency up to 5MHz , and voltage levels ranging from 0 to 2.4V . It can also receive a DC-terminated single-ended signal with a threshold voltage between **vcc** and **vee** applied to the unused pin. The input termination impedance is set to 100Ω differential.

CR

The Clock Recovery Block (CR) contains both a phase and frequency acquisition loop. The frequency loop works in concert with low-speed clock **c32p/c32n** while the phase loop utilizes data signal **dp/dn**. The CR requires a single off-chip filter shown in Fig. 2 to be connected to pin **fttr**.

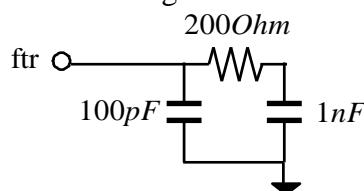


Fig. 2. External Loop Filter



The main function of the CR is to frequency-lock the selected on-chip VCO to the input data signal (clock recovery). Using the external control voltage **phshft** within the range from **vcc** to **vcc-1.0V**, the phase of the internal half rate clock needs to be lined up correctly with the incoming data in the phase loop to ensure proper CR functionality.

By utilizing the 2.5V CMOS control pins **vcos0** and **vcos1**, the desired working frequency of the CR can be selected in accordance with Table 1 below.

Table 1. CR Mode Selection (Case Temperature from 0 to 90°C)

vcos0	vcos1	VCO Operation Frequency (GHz)
"0" (0V)	"0" (0V)	$f_{min} \leq 25.5, f_{max} \geq 28.0$
"0" (0V)	"1" (2.5V)	$f_{min} \leq 27.5, f_{max} \geq 29.5$
"1" (2.5V)	"0" (0V)	$f_{min} \leq 29.0, f_{max} \geq 32.5$
"1" (2.5V)	"1" (2.5V)	Digital Mode, default state

The loop gain can be adjusted by two 2.5V CMOS control pins **icph** and **icpl** that control the charge pump current as shown in Table 2.

Table 2. Charge Pump Current Control

icph	icpl	Charge Pump current, mA
"0" (0V)	"0" (0V)	I_{max}
"0" (0V)	"1" (2.5V)	$I_{max}-0.04$
"1" (2.5V)	"0" (0V)	$I_{max}-0.27$
"1" (2.5V)	"1" (2.5V)	$I_{max}-0.31$

The lock detect circuitry signals an alarm through the 2.5V CMOS signal **lolp** when a frequency difference exists between an applied system reference clock **c32p/c32n** and a recovered half rate clock divided-by-32 that is greater than $\pm 1000ppm$.

COB

The Clock Output Buffer (COB) receives a half rate clock signal from CR and converts it into CML output signal **c2p/c2n**. The buffer requires 50Ohm external termination resistors connected between **vcc** and each output (usually supplied by the downstream chip that the buffer is driving).

POWER SUPPLY CONFIGURATION

The ASNT8160-KMF can operate with either a negative supply (**vcc** = 0.0V = ground and **vee** = -3.3V), or a positive supply (**vcc** = +3.3V and **vee** = 0.0V = ground). In case of a positive supply, all I/Os need AC termination when connected to any devices with 50Ohm termination to ground. Different PCB layouts will be needed for each different power supply combination.

All the characteristics detailed below assume vcc = 3.3V and vee = 0V (external ground)



ABSOLUTE MAXIMUM RATINGS

Caution: Exceeding the absolute maximum ratings shown in Table 3 may cause damage to this product and/or lead to reduced reliability. Functional performance is specified over the recommended operating conditions for power supply and temperature only. AC and DC device characteristics at or beyond the absolute maximum ratings are not assumed or implied. All min and max voltage limits are referenced to ground (assumed vee).

Table 3. Absolute Maximum Ratings

Parameter	Min	Max	Units
Supply Voltage (vcc)		+3.8	V
Power Consumption		1.6	W
Input Voltage Swing (SE)		1.0	V
Case Temperature ^{*)}		+90	°C
Storage Temperature	-40	+100	°C
Operational Humidity	10	98	%
Storage Humidity	10	98	%

TERMINAL FUNCTIONS

Supply and Termination Voltages		
Name	Description	Pin Number
vcc	Positive power supply (+3.3V)	2, 4, 6, 11, 13, 15, 18, 20, 22, 27, 29, 31, 34, 36, 38, 43, 45, 47, 54, 55, 57, 59, 60
vee	Negative power supply (GND or 0V)	1, 16, 17, 32, 33, 48, 49, 50, 63, 64
nc	Not connected pins	19, 26, 30, 35, 37, 39, 40, 41, 42, 44, 46, 51, 52

TERMINAL			DESCRIPTION	
Name	No.	Type		
High-Speed I/Os				
cep	3	Input	CML differential half rate clock inputs with internal SE 50Ohm termination to vcc	
cen	5			
c2p	28	Output	CML differential half rate clock outputs. Require external SE 50Ohm termination to vcc	
c2n	21			
dp	56	Input	CML differential data inputs with internal SE 50Ohm termination to vcc	
dn	58			
Low-Speed I/Os				
c32p	12	Input	LVDS clock input with internal differential 100Ohm termination	
c32n	14			
Controls				
vcos1	7	LS In., 2.5V CMOS	CR operational mode selection, see Table 1	
vcos0	10			
is	9			VCO current control (high, default: higher current; low: lower current)
icpl	23			Charge pump current control, see Table 2



icph	24		
lolp	25	LS out, 2.5V CMOS	CR lock indicator (high: no lock; low: locked)
dcinp	53	LS IN	Input data common mode voltage adjustment
dcinn	61		
phshft	62	DC Input	CR clock phase adjustment. Allowed values from vcc to vcc-1.0V
fr	8	I/O	External CR filter connection

ELECTRICAL CHARACTERISTICS

PARAMETER	MIN	TYP	MAX	UNIT	COMMENTS
General Parameters					
vcc	+3.0	+3.3	+3.6	V	±9%
vee		0.0		V	
I _{vcc}		490		mA	All functions active
Power Consumption		1.6		W	
Junction Temperature	-25	50	125	°C	
Case temperature			75	°C	Recommended value
HS Input Data (dp/dn)					
Data Rate	51		65	Gbps	RZ or NRZ
Swing p-p (Diff or SE)	0.3		0.6	V	at 65Gbps
CM Voltage Level	vcc-0.8		vcc	V	
LS Input Reference Clock (c32p/c32n)					
Frequency	796		1016	MHz	
Swing p-p (Diff or SE)	0.06		0.8	V	
CM Voltage Level	vee		vcc	V	
Duty Cycle	40	50	60	%	
HS Output Half Rate Clock (c2p/c2n)					
Clock Rate	25.5		32.5	GHz	50 to 64Gbps input
Logic "1" level		vcc		V	
Logic "0" level	vcc -0.4		vcc -0.15	V	
Jitter		5	8	ps	p-p at 25.6GHz
Input Data Common Mode Control (dcinp/dcinn)					
Input DC Voltage	vee		vcc	V	
Input Data Voltage Shift	0		-150	mV	Referenced to vcc
CMOS Control Inputs/Outputs					
Logic "1" level	2.1		2.5	V	
Logic "0" level			vee +0.4	V	
Data Sampling Point Adjustment (phshft)					
Internal termination		1.8		kOhm	SE to vcc
Input DC Voltage	vcc -1.0		vcc	V	
Bandwidth	0.0		100	MHz	

PACKAGE INFORMATION

The chip die is housed in a custom 64-pin CQFP package. The dimensioned drawings are shown in Fig. 3. The package provides a center heat slug located on its back side to be used for heat dissipation. ADSANTEC recommends for this section to be soldered to the VCC plain, which is ground for a negative supply, or power for a positive supply.

The part's identification label is ASNT8160-KMF. The first 8 characters of the name before the dash identify the bare die including general circuit family, fabrication technology, specific circuit type, and part version while the 3 characters after the dash represent the package's manufacturer, type, and pin out count.

This device complies with the Restriction of Hazardous Substances (RoHS) per 2011/65/EU for all ten substances.

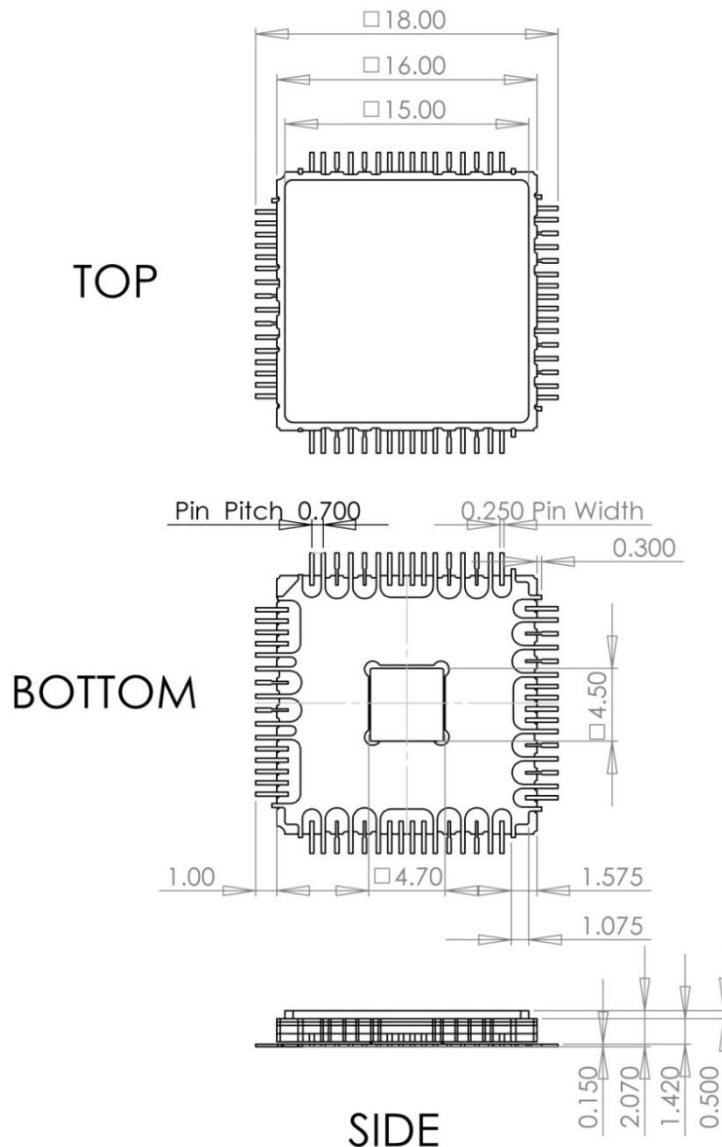


Fig. 3. CQFP 64-Pin Package Drawing (All Dimensions in mm)



REVISION HISTORY

Revision	Date	Changes
1.3.2	05-2020	Updated Package Information
1.2.2	07-2019	Updated Letterhead
1.2.1	08-2015	Revised pin out drawing Revised block diagram Added text to Description section Added information to Terminal Functions & Electrical Specifications
1.1.1	05-2015	Revised package information section Corrected format
1.0.0	03-2015	Preliminary release Part number changed from ASNT2117-KMF to ASNT8160-KMF