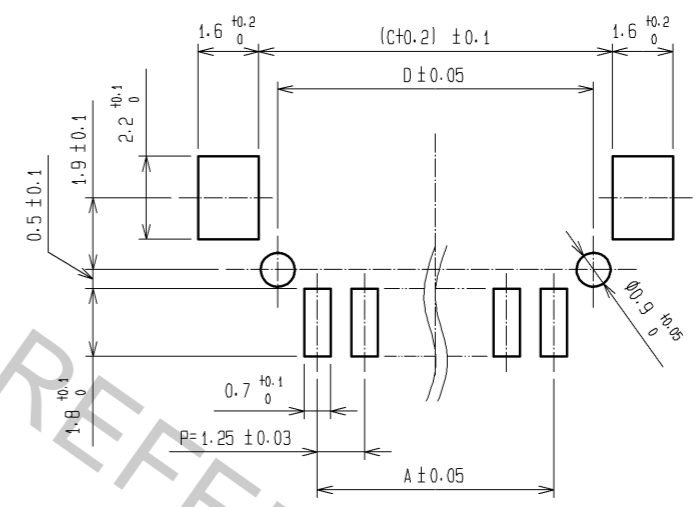


CODE No.	PARTS No.	NUMBER OF CONTACT	A	B	C	D	E	F
CL536-0251-1-20	DF13- 2P-1.25H(20)	2	1.25	3.15	4.15	7.15	3.35	5.65
CL536-0252-4-20	DF13- 3P-1.25H(20)	3	2.5	4.4	5.4	8.4	4.60	6.9
CL536-0253-7-20	DF13- 4P-1.25H(20)	4	3.75	5.65	6.65	9.65	5.85	8.15
CL536-0254-0-20	DF13- 5P-1.25H(20)	5	5.0	6.9	7.9	10.9	7.10	9.40
CL536-0255-2-20	DF13- 6P-1.25H(20)	6	6.25	8.15	9.15	12.15	8.35	10.65
CL536-0256-5-20	DF13- 7P-1.25H(20)	7	7.5	9.4	10.4	13.4	9.60	11.9
CL536-0257-8-20	DF13- 8P-1.25H(20)	8	8.75	10.65	11.65	14.65	10.85	13.15
CL536-0258-0-20	DF13- 9P-1.25H(20)	9	10.0	11.9	12.9	15.9	12.1	14.4
CL536-0259-3-20	DF13-10P-1.25H(20)	10	11.25	13.15	14.15	17.15	13.35	15.65
CL536-0260-2-20	DF13-11P-1.25H(20)	11	12.5	14.4	15.4	18.4	14.6	16.9
CL536-0261-5-20	DF13-12P-1.25H(20)	12	13.75	15.65	16.65	19.65	15.85	18.15
CL536-0263-0-20	DF13-14P-1.25H(20)	14	16.25	18.15	19.15	22.15	18.35	20.65
CL536-0264-3-20	DF13-15P-1.25H(20)	15	17.5	19.4	20.4	23.4	19.6	21.9

RECOMMENDED PATTERN

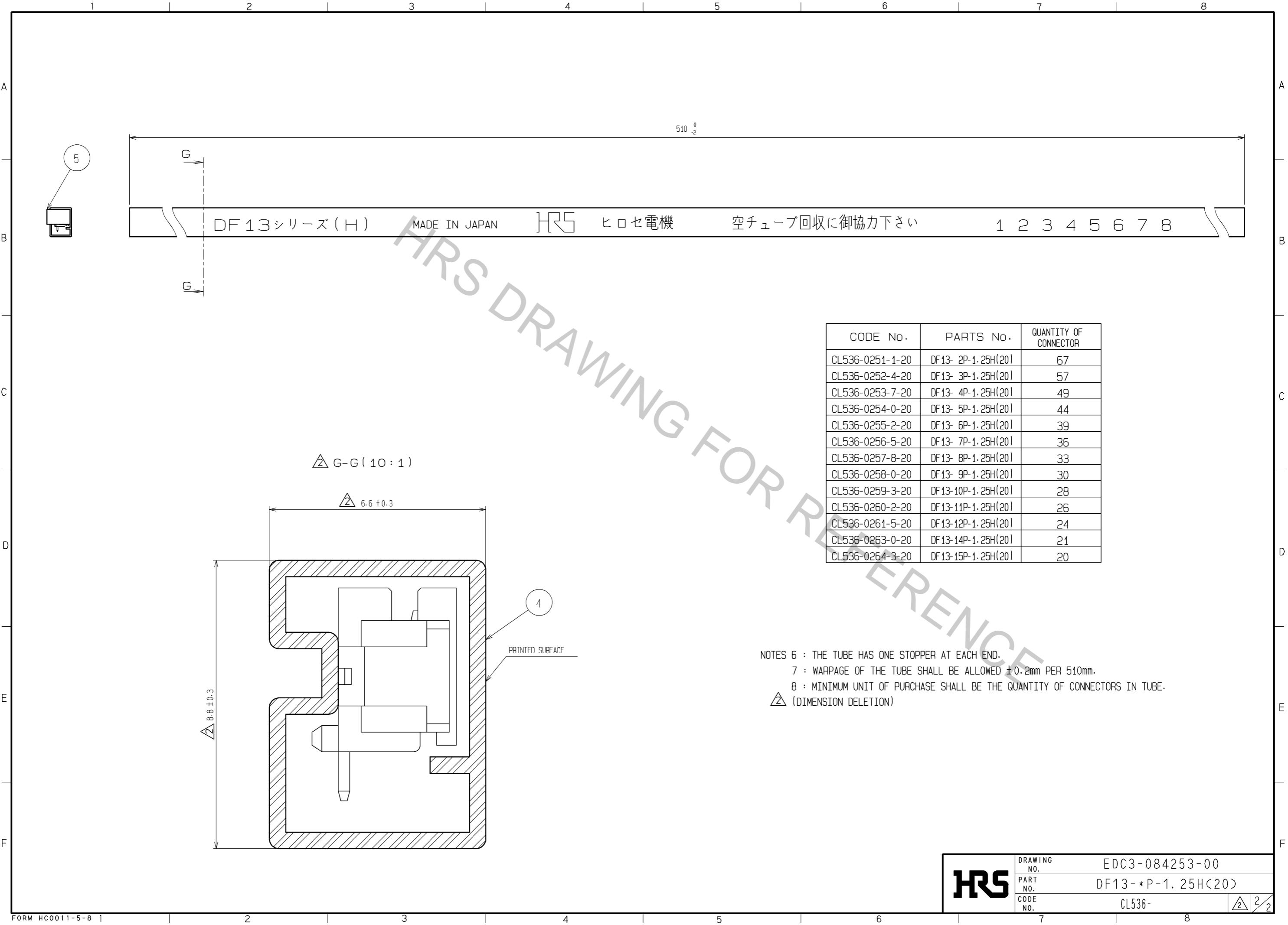


- NOTE
- 1: WHEN THIS CONNECTOR MATES WITH DF13-*S-1.25C THE MATING LENGTH IS 3.6 mm.
 - 2: THERE SHALL BE STANDOFF MORE THAN FIVE CONTACTS.
 - 3: WHEN THIS CONNECTOR HAS TWO OR THREE CONTACTS, THE LOCK SHALL BE SET AT THE CENTER OF HOUSING. IF MORE THAN FOUR, THE TWO LOCKS SHALL BE SET AS SHOWN ON THIS DRAWING.
 - 4: FLATNESS OF LEAD WITH REINFORCED METAL FITTINGS SHALL BE WITHIN 0.1mm.
 - 5: WHEN THIS CONNECTOR HAS MORE THAN SEVEN CONTACTS, HRS MARKING AND POLARIZATION MARKING SHIFT TO THE PLACE INDICATING DOTTED LINES.

NO.	MATERIAL	FINISH	REMARKS	NO.	MATERIAL	FINISH	REMARKS
2	BRASS	SURFACE PLATING-TIN PLATED 1μm min		5	S. PVC		STOPPER
		UNDER PLATING-COPPER PLATDE 0.5μm min		4	PVC		TUBE
1	POLYAMIDE	BEIGE·UL94V-0		3	PHOSPHOR BRONZE		SURFACE PLATING-TIN PLATED 1μm min

UNITS	SCALE	COUNT	DESCRIPTION OF REVISIONS	DESIGNED	CHECKED	DATE
mm	5 : 1	6	DIS-H-005839	MI. SAKIMURA	HK. UMEHARA	11.05.31

APPROVED	DATE	DRAWING NO.
: KJ. KATAYOSE	05.01.05	EDC3-084253-00
CHECKED	DATE	PART NO.
: TY. OMA	05.01.05	DF13-*P-1.25H(20)
DESIGNED	DATE	CODE NO.
: TS. KUMAZAWA	05.01.05	CL536-
DRAWN	DATE	
: TS. KUMAZAWA	05.01.05	



HRS	DRAWING NO.	EDC3-084253-00	
	PART NO.	DF13-*P-1.25H(20)	
	CODE NO.	CL536-	△ 2/2